

LEADING
TECH!



NEW
PRODUCTS!



TOP
TRENDS!



MORE
ITEMS!



SATCO | **NUVO**

AWARE™

NEW PRODUCTS | DESIGNS | IDEAS

Vol. 2

STARFISH SMART

PAGES 4-11

FUNCTIONAL

PAGES 12-41

LAMPS

PAGES 44-65

ELECTRICAL

PAGES 66-75

DECORATIVE

PAGES 78-103



NEW DESIGN pg. 54



**COUNTERQUICK
PRODUCT!**
pg. 35



SALE
pg. 103

AWARE

Welcome to the second edition of Aware! Aware was conceived as a hybrid communication and marketing tool with several goals in mind. SATCO® introduces on average more than 1000 new items per year, across our many product categories. Aware is here to bring forward the brightest stars of these introductions front and center, so no opportunity is missed.

Aware “features” sections highlight useful resources available from SATCO®. Web-tools, sales aides, training materials, etc. are all just a few topics we cover in this section. Stories from the field are information and thought provoking success stories about our products and how they make a difference in “Real World” Applications. And the deals - Take advantage of special pricing for a limited time on products that range from every day must haves to new and exciting product introductions. For more than 55 years... We do the light thing. We do the right thing.™



Inside this edition: Lamp expansions, The Retrofit Solution, Sales in NUVO Decorative, our growing LED utility fixture offering and, as always, there is more online at satco.com.

STARFISH™ SMART USES

Creative Uses For STARFISH™

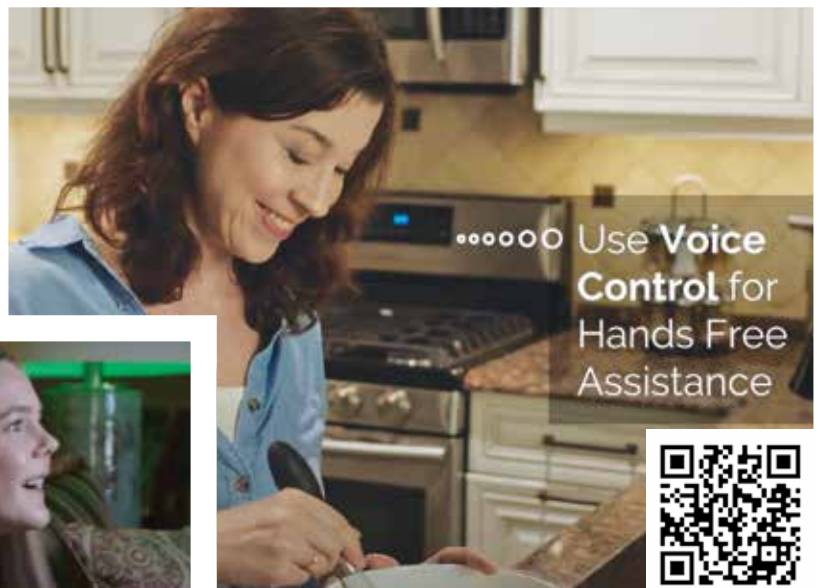


STARFISH™ LED Smart Lighting is a convenient way to connect and create a vibe! STARFISH LED brings a stylish, affordable, lighting solution to illuminate your space. The capabilities of SATCO's Smart bulbs when used with the STARFISH app will create an entirely immersive experience.

Add some atmosphere with dynamic RGB lights! Self-adhering tape lights are flexible and fun, use the smart dimming and tunable white features for a soft elegant glow or to wash the room in colors for a techni-color vibe! STARFISH tape lights fit great along the edge of your TV. Sync the lights with the sounds of your TV to give your room an entire theater vibe.



**PLAN A ROMANTIC EVENING
UNDER THE STARS!**



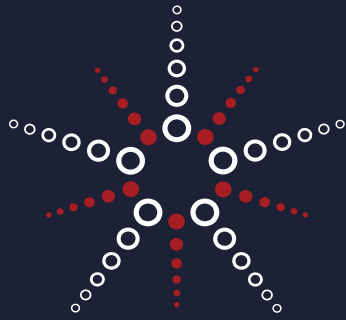
**DYNAMIC COLOR CHANGING
EFFECTS FOR GAMING!**



STARFISH Smart bulbs have also been used in wedding venues for colorful dance floor lighting, DJ booth lighting, and up-lighting! There are so many interesting ways to arrange STARFISH Smart lights.



SCAN TO LEARN MORE ABOUT STARFISH SMART LIGHTING!







STARFISH™

The SMART home lighting and control system created to enrich your quality of life through convenience and connection.

live life enlightened™



RGB AND TUNABLE WHITE LED LAMPS

-  RGB Color
-  Tunable White 90 CRI
-  Damp location
-  Dimmable, with app

13W LED A21 RGB and Tunable White, T20
S11287 1 PER BOX






S11287



S11274

7.5W LED A19 Tunable White/ Clear Filament, T20
S11274 1 PER BOX



-  Tunable White
-  Damp location
-  Dimmable, with app



RGB Color



Tunable White 90CRI



Damp location



Dimmable, with app



15W LED PAR38 RGB & Tunable White, T20

S11277

1 PER BOX



6W LED R20 RGB & Tunable White

S11283

1 PER BOX



12W LED BR40 RGB & Tunable White

S11284

1 PER BOX



5.5W LED MR16-GU10 RGB & Tunable White

S11278

1 PER BOX



ITEM	TYPE	DIMENSIONS		W	LM	CRI	BASE	V	HR	PACK	MASTER
		MOD (mm)	MOL (mm)								
S11287	A21	2.4" (60.96)	5.35" (135.9)	13	1100	90	E26	120	15K	1-BOX	48
S11274	A19	2.36" (59.94)	4.33" (110)	7.5	800	90	E26	120	15K	1-BOX	24
S11283	R20	2.48" (63)	3.69" (93.7)	6	480	90	E26	120	25K	1-BOX	24
S11284	BR40	4.72" (120)	6.42" (163.1)	12	960	90	E26	120	25K	1-BOX	12
S11277	PAR38	4.72" (127)	5.00" (127)	15	1200	90	E26	120	25K	1-BOX	12
S11278	MR16	2.2" (56)	1.97" (50)	5.5	385	90	GU10	120	25K	1-BOX	48



STARFISH™

4 IN. AND 6 IN. DOWNLIGHT RETROFITS



8.7W 4 IN. LED RGB & Tunable White
S11285 1 PER BOX



10W 5-6 IN. LED RGB & Tunable White
S11286 1 PER BOX

-  Tunable White
90 CRI, 2700-5000K
-  RGB Color
-  Damp location
-  Dimmable, with app



ITEM	TYPE	DIMENSIONS		WATT	LUMEN	CRI	BASE	VOLT	HR	PACK	MASTER
		DIAMETER (mm)	HEIGHT (mm)								
S11285	Retrofit	5.12" (130.05)	2.8" (71.12)	8.7W	700	90	E26 Adapter	120	25K	1-BOX	12
S11286	Retrofit	7.36" (187)	2.85" (72.4)	10W	800	90	E26 Adapter	120	25K	1-BOX	12

4 IN. AND 6 IN EDGE-LIT REMOTE DRIVER DOWNLIGHT

**10W 4IN. LED RGB &
Tunable White Edge-Lit
Remote Downlight**

S11279 1 PER BOX



**12W 6IN. LED RGB &
Tunable White Edge-Lit
Remote Downlight**

S11280 1 PER BOX



RGB Color



Tunable White, 90 CRI
2700-5000K



Wet location



Dimmable, with app



ITEM	TYPE	DIMENSIONS		W	LM	CRI	BASE	V	HR	PACK	MASTER
		DIAMETER (mm)	HEIGHT (mm)								
S11279	EdgeLit	5.31" (134.8)	1.5" (38.1)	10	650	90	Remote Driver	120	25K	1-BOX	6
S11280	EdgeLit	7.2" (182.8)	1.5" (38.1)	12	850	90	Remote Driver	120	25K	1-BOX	6



STARFISH™



live life enlight^{en}ed™

WI-FI 24 FOOT LED RGBW 10-LIGHT OUTDOOR STRING LIGHT



24FT. LED RGBW Outdoor String Lights

S11288 1 SET PER BOX
(10 Bulb Set)



RGB & Warm White



Wet location



Dimmable, with app



Plug-in

STARFISH™ WI-FI DIMMING SMART OUTLET

The rectangular Wi-Fi Dimmer outlet allows for ON-OFF and dimming operation of lighting to a maximum of 300W of incandescent or 150W LED loads.

An ON-OFF switch is located on the outlets for manual override.



WI-FI 15A Dimmer Outlet

S11270 1 PER BOX



Dry location



Dimmable, with app



Plug-in

		DIMENSIONS								
ITEM	TYPE	LENGTH (mm)	WIDTH (mm)	HEIGHT (mm)	W	CRI	V	HR	PACK	MASTER
S11288	String Lights	24' (7315.2)	1.77" (45)	7.48" (190)	10	80	120	15K	1 Set-BOX	4

		DIMENSIONS			RATINGS				
ITEM	TYPE	LENGTH (mm)	WIDTH (mm)	HEIGHT (mm)	INC.	LED	V	PACK	MASTER
S11270	ON-OFF DIMMER Outlet	2.87"(72.89)	1.69"(42.92)	1.97"(50.03)	300W	150W	120	1-BOX	12

FUNCTIONAL

Commercial Lighting Solutions

SATCO offers an end-to-end lighting solution for today's commercial and industrial spaces with products that include superior LED fixtures and high efficiency lamps built to effectively and efficiently illuminate with both quality and maintenance satisfaction.

SATCO is here to help! We can provide assistance with lighting layouts and offer tools such as our ROI utility rebates calculator to help economize projects. All commercial/functional fixtures are either DLC or ENERGY STAR certified.

Advanced features in our functional luminaries may include:

- Flicker Free drivers to reduce eye strain/fatigue
- CCT & Wattage Selectable features
- Integrated & Add On EM, PIR and MW Sensors
- Optional add-ons that meet NFPA Life Safety Codes
- Hi lumen and connectable options
- Adjustable features for fast and easy installation
- Multiple accessories for post install adjustment
- Broad wattage ranges, from 15W to 300W
- Multiple mounting options
- Accent, general, landscape lighting and more!

From indoors to out, offices to warehouses, malls to municipal buildings, auditoriums to arenas, SATCO|NUVO'S offering accommodates the space, budget and operating necessity.

Satco has your solutions.



**120-277V, 120-347V AND 277-480V
OPTIONS**

**BRONZE POWDER COATED FINISH
FOR ALL WEATHER DURABILITY**

3" SLIP-FITTER MOUNT INCLUDED

TYPE III LIGHT DISTRIBUTION

0-10V DIMMING

BUILT-IN 4KV SURGE PROTECTION

**OPERATING TEMPERATURE:
-40°C TO 45°C (-40°F TO 113°F)**

IP65 RATED

**MULTIPLE MOUNTING OPTIONS AND
ADD-ON SENSORS AVAILABLE**

LONG LIFE-50,000 HOURS

5 YEAR WARRANTY

ARRIVING
MARCH 2022

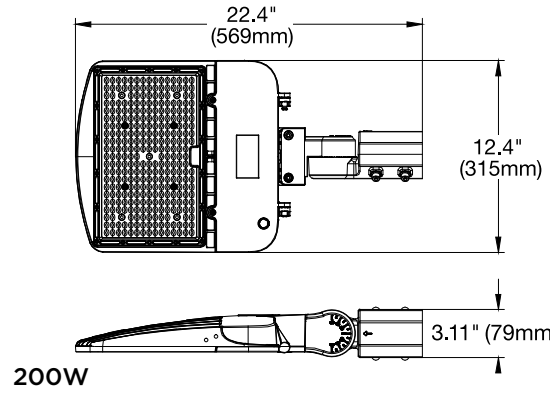
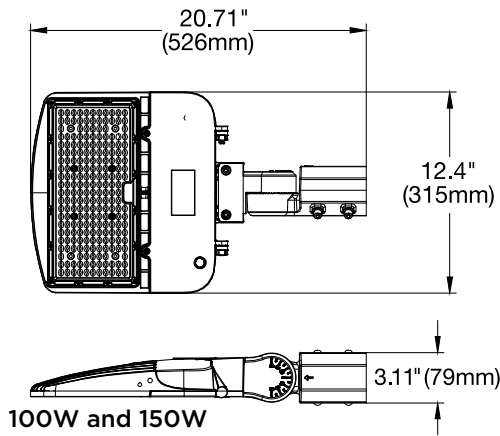


**ALL
NEW!**

**Our latest line of
LED area lights with
technology that defines
superior lighting over
many applications.**



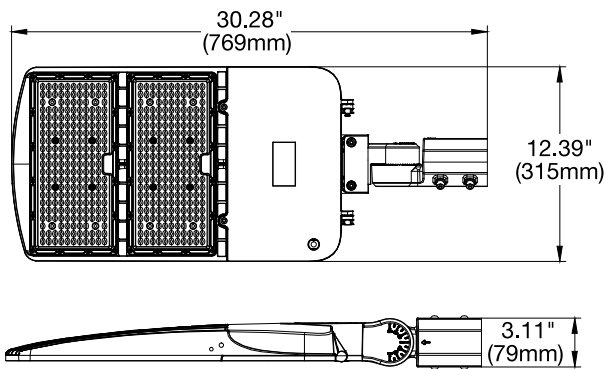
**LED AREA LIGHTS
CONTINUED...**



ACCESSORIES



ITEM #	DESCRIPTION	FEATURE	PK
65-870	UNIVERSAL MOUNT	DIRECT & SLIP-FITTER MNT BRZ	8
65-871	DIRECT MOUNT	SQUARE/ROUND POLE MOUNT BRZ	8
65-872	TRUNNION MOUNT	BRONZE FINISH	8
65-873	YOKE MOUNT	100W/150W/200W BRONZE	8
65-874	YOKE MOUNT	240W/300W BRONZE	8
65-875	EXT SLIP-FITTER	WITH SENSOR KNOCKOUTS BRONZE	8
65-876	FIXED ARM MOUNT	WITH SENSOR KNOCKOUTS BRONZE	8
65-877	CUTOFF SHIELD	BRONZE FINISH	8
65-878	CUTOFF SHIELD	BRONZE - ONLY FOR 200W FIXTURE	8
86-221	PHOTOCELL/SOCKET	100-277V FOR 100W/200W	50
86-222	PHOTOCELL/SOCKET	100-277V FOR 240W/300W	50
86-223	PHOTOCELL/SOCKET	277-480V	50
86-224	SURGE SUPPRESSOR	10KV - 100-277V	50
86-225	SURGE SUPPRESSOR	10KV - 277-480V	50
86-226	12-24V PIR SENSOR	277-480V	50
86-227	PIR SENSOR	100-277V	50
86-228	MICROWAVE SENSOR	100-277V	50



240W and 300W

**ENGINEERED FOR
THE HIGHEST
PERFORMANCE
IN MULTIPLE
APPLICATIONS**



LED AREA LIGHTS

ITEM #	DESCRIPTION	W	V	CCT	LM	PK
65-840	100W LED AREA LIGHT TYPE III	100	100-277	4000K	13793	1
65-841	100W LED AREA LIGHT TYPE III	100	100-277	5000K	13793	1
65-842	150W LED AREA LIGHT TYPE III	150	100-277	4000K	19507	1
65-843	150W LED AREA LIGHT TYPE III	150	100-277	5000K	19736	1
65-844	200W LED AREA LIGHT TYPE III	200	100-277	4000K	26051	1
65-845	200W LED AREA LIGHT TYPE III	200	100-277	5000K	26536	1
65-846	240W LED AREA LIGHT TYPE III	240	100-277	4000K	31481	1
65-847	240W LED AREA LIGHT TYPE III	240	100-277	5000K	32585	1
65-848	300W LED AREA LIGHT TYPE III	300	100-277	4000K	39815	1
65-849	300W LED AREA LIGHT TYPE III	300	100-277	5000K	38988	1
65-850	100W LED AREA LIGHT TYPE III	100	100-347	4000K	13793	1
65-851	100W LED AREA LIGHT TYPE III	100	100-347	5000K	13793	1
65-852	150W LED AREA LIGHT TYPE III	150	100-347	4000K	19507	1
65-853	150W LED AREA LIGHT TYPE III	150	100-347	5000K	19736	1
65-854	200W LED AREA LIGHT TYPE III	200	100-347	4000K	26051	1
65-855	200W LED AREA LIGHT TYPE III	200	100-347	5000K	26536	1
65-856	240W LED AREA LIGHT TYPE III	240	100-347	4000K	31481	1
65-857	240W LED AREA LIGHT TYPE III	240	100-347	5000K	32585	1
65-858	300W LED AREA LIGHT TYPE III	300	100-347	4000K	39815	1
65-859	300W LED AREA LIGHT TYPE III	300	100-347	5000K	38988	1
65-860	100W LED AREA LIGHT TYPE III	100	277-480	4000K	13793	1
65-861	100W LED AREA LIGHT TYPE III	100	277-480	5000K	13793	1
65-862	150W LED AREA LIGHT TYPE III	150	277-480	4000K	19507	1
65-863	150W LED AREA LIGHT TYPE III	150	277-480	5000K	19736	1
65-864	200W LED AREA LIGHT TYPE III	200	277-480	4000K	26051	1
65-865	200W LED AREA LIGHT TYPE III	200	277-480	5000K	26536	1
65-866	240W LED AREA LIGHT TYPE III	240	277-480	4000K	31481	1
65-867	240W LED AREA LIGHT TYPE III	240	277-480	5000K	32585	1
65-868	300W LED AREA LIGHT TYPE III	300	277-480	4000K	39815	1
65-869	300W LED AREA LIGHT TYPE III	300	277-480	5000K	38988	1

*Consult Satco or visit www.satco.com for an up to date dimmer compatibility list.



**DRAMATIC
ARCHITECTURAL
LIGHTING
EFFECTS ARE IN
YOUR HANDS.**



**15W
Small Flood**



**30W
Medium Flood**



**Mounting
Plate
(included)**



**50W
Large Flood**

ITEM #	DESCRIPTION	W	MH EQUIV	CCT	LM	PK
65-531	Small Flood	15	70W	3000K	1593	16
65-532	Small Flood	15	70W	4000K	1603	16
65-533	Small Flood	15	70W	5000K	1624	16
65-534	Medium Flood	30	70-100W	3000K	3404	8
65-535	Medium Flood	30	70-100W	4000K	3427	8
65-536	Medium Flood	30	70-100W	5000K	3432	8
65-537	Large Flood	50	150W	3000K	5717	6
65-538	Large Flood	50	150W	4000K	5778	6
65-539	Large Flood	50	150W	5000K	5793	6

**80
CRI**

**100-
277V**

**WET
LOCATION**

**50,000
HOURS**

**2KV
SURGE
PROTECTION**

**UL
LISTED**

**DLG
PREMIUM**

FC

**RoHS
COMPLIANT**



WIDE RANGE OF
MOUNTING SYSTEM OPTIONS
DLC PREMIUM CERTIFIED
15W ~ 30W ~ 50W ~ 70W ~ 90W ~ 150W
IP65
5 YEAR WARRANTY

70 Watt and
90 Watt with
standard
1/2" knuckle
mount and
mounting plate
(included).



Mounting plate
included



150 Watt with
standard 2 3/8"
slip-fitter mount
(included)



Slip-fitter
mount
included



ITEM #	DESCRIPTION	W	MH EQUIV	CCT	LM	PK
65-615	70W Flood	70	150-200W	4000K	9889	5
65-616	70W Flood	70	150-200W	5000K	10030	5
65-617	90W Flood	90	200W	4000K	12651	5
65-618	90W Flood	90	200W	5000K	12758	5
65-619	150W Flood	150	400W	4000K	19500	1
65-620	150W Flood	150	400W	5000K	20250	1



*Consult Satco or visit www.satco.com for an up to date dimmer compatibility list.

AREA FLOODLIGHT ACCESSORIES

**MORE OPTIONS.
MORE FLEXIBILITY.
MORE APPLICATIONS.**



Universal Mount

(Direct Mount & 2 3/8" Slip-fitter combo)



Trunnion Mount



Direct Mount



Slip-fitter Mount



Photocell



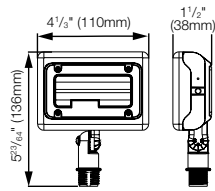
Yoke Mount
65-605 - 70W & 90W
65-606 - 150W

ITEM #	DESCRIPTION	PK
65-604	Trunnion Mount 70W, 90W & 150W Flood - Bronze	20
65-605	Yoke Mount 70W & 90W Flood - Bronze	20
65-606	Yoke Mount 150W Flood - Bronze	20
65-609	Slip-Fitter Mount 70W, 90W & 150W Flood - Bronze	8
65-610	Direct Arm Mount 70W, 90W & 150W Flood - Bronze	6
65-613	Universal Mount 70W, 90W & 150W Flood - Bronze	6
86-212	Photocell 70W, 90W & 150W Flood - Includes All Components	50

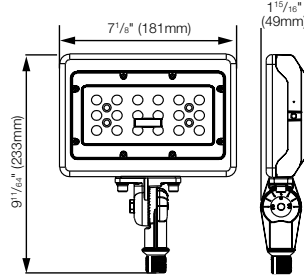
*Consult Satco or visit www.satco.com for an up to date dimmer compatibility list.

AREA FLOODLIGHTS

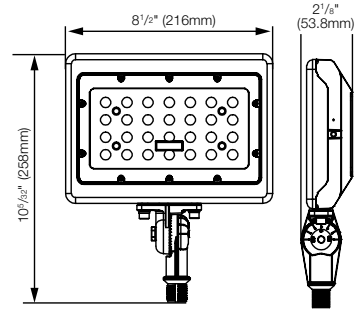
15W with knuckle mount



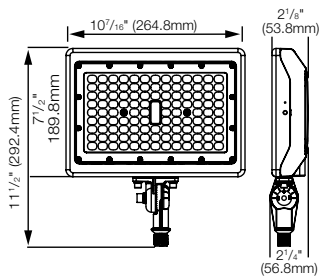
30W with knuckle mount



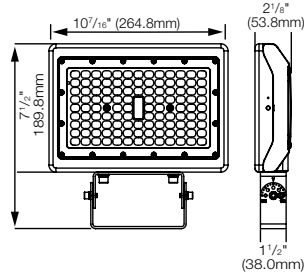
50W with knuckle mount



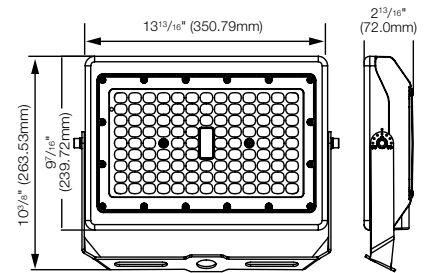
70W & 90W with knuckle mount



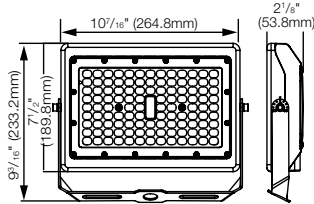
70W & 90W with trunnion mount



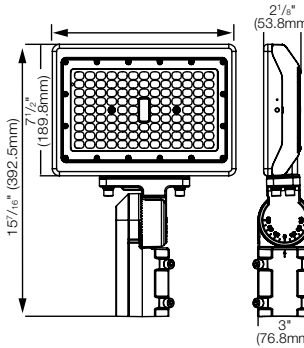
150W with yoke mount



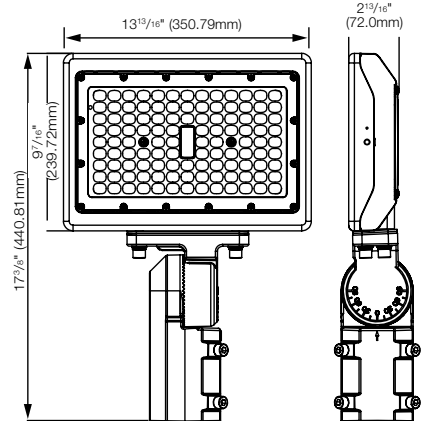
70W & 90W with yoke mount bracket



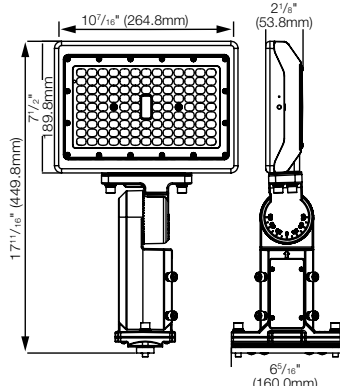
70W & 90W with slipfitter mount



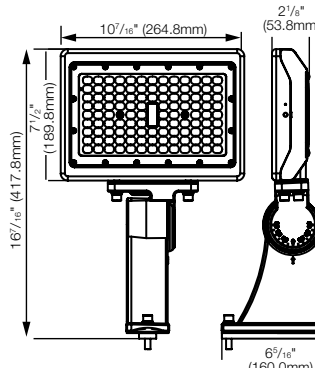
150W with slipfitter mount



70W & 90W with universal mount



70W & 90W with direct mount





WE'VE ADDED MORE WALL PACKS! ADVANCED DESIGNS & MORE FEATURES.



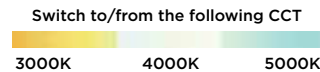
CCT & WATTAGE SELECTABLE

Semi-Cutoff Full Footprint

CCT SELECTABLE - 3000K/4000K/5000K
WATTAGE SELECTABLE SWITCH - 3 SELECTIONS
TRADITIONAL OR SEMI-CUTOFF FOOTPRINTS
BRONZE FINISH

BUILT-IN BY-PASSABLE PHOTOCELL

110° BEAM ANGLE
OPERATING TEMPERATURE:
-40°C TO 50°C (-40°F TO 122°F)
5 YEAR WARRANTY



ITEM #	W SELECTABLE	V	CCT SELECTABLE	LM	PK
Traditional Full Footprint					
65-755	29W/40W/60W	120-277	3000K/4000K/5000K	4060-8640	1
65-756	80W/100W/120W	120-277	3000K/4000K/5000K	11200-17280	1
65-757	29W/40W/60W	120-347	3000K/4000K/5000K	4118-8700	1
65-758	80W/100W/120W	120-347	3000K/4000K/5000K	11360-17400	1
Semi-Cutoff Full Footprint					
65-760	29W/40W/60W	120V-277V	3000K/4000K/5000K	3915-8400	1
65-761	80W/100W/120W	120V-277V	3000K/4000K/5000K	10800-15600	1

- CCT SELECTABLE
- WATTAGE SELECTABLE
- 80 CRI
- 50,000 HOURS
- 0-10V DIMMING
- 100-277V
- 4KV SURGE PROTECTION
- IP 65
- WET LOCATION





DUAL HEAD SECURITY LIGHTS WITH OR WITHOUT MOTION SENSOR

DIE-CAST ALUMIUM BODY AND HEADS
IMPACT RESISTANT LENSES
WHITE, BLACK OR BRONZE FINISH
SUITABLE FOR WET LOCATIONS
50,000 HOUR LIFE
ENERGY STAR CERTIFIED



ITEM #	DESCRIPTION	V	CCT	PK
65-710	White	100-277V	3000K	5
65-711	White w/Sensor	120V	3000K	5
65-712	Bronze	100-277V	3000K	5
65-713	Bronze w/Sensor	120V	3000K	5
65-714	Black	100-277V	3000K	5
65-715	Black w/Sensor	120V	3000K	5
65-716	White	100-277V	4000K	5
65-717	White w/Sensor	120V	4000K	5
65-718	Bronze	100-277V	4000K	5
65-719	Bronze w/Sensor	120V	4000K	5
65-720	Black	100-277V	4000K	5
65-721	Black w/Sensor	120V	4000K	5

Motion Sensor Specifications

1 Time setting: 10 seconds to 10 minutes
Detection angle: 180°
Detection range: 10 feet to 60 feet
Dusk to dawn feature
Manual override

20 WATTS	80 CRI	 WET LOCATION
1900 LUMENS	50,000 HOURS	2KV SURGE PROTECTION



LED LANDSCAPE FLOODS

LONG LASTING
SUPERIOR LED LIGHT
MEETS BEAUTIFUL
DESIGN



- 6W, 9W AND 12W VERSIONS
- 3 SIZES / 3 FINISHES
- WET LOCATIONS
- 50,000 HOURS
- 120V / NO TRANSFORMER
REQUIRED
- MANY MOUNTING OPTIONS



Mounting posts and mounting plate available in all finishes - sold separately.



OPTIONAL ACCESSORIES



76-640



76-641



60-680



60-678



76-665



76-666



60-673



60-676

ITEM #	DESCRIPTION	W	LM	PK
PAR16				
62-1200	6W Landscape Flood (PAR16 size) - Bronze	6	640	12
62-1201	6W Landscape Flood (PAR16 size) - Dark Gray	6	640	12
62-1202	6W Landscape Flood (PAR16 size) - Light Gray	6	640	12
PAR20				
62-1203	9W Landscape Flood (PAR20 size) - Dark Gray	9	900	12
62-1204	9W Landscape Flood (PAR20 size) - Light Gray	9	900	12
62-1205	9W Landscape Flood (PAR20 size) - Bronze	9	900	12
PAR30				
62-1206	12W Landscape Flood (PAR30 size) - Bronze	12	1240	12
62-1207	12W Landscape Flood (PAR30 size) - Dark Gray	12	1240	12
62-1208	12W Landscape Flood (PAR30 size) - Light Gray	12	1240	12
Accessories				
60-673	1 Light Die Cast Mounting Plate - Light Gray			96
60-674	2 Light Die Cast Mounting Plate - Light Gray			96
60-675	1 Light Die Cast Mounting Plate - Dark Gray			96
60-676	2 Light Die Cast Mounting Plate - Dark Gray			96
76-665	1 Light Die Cast Mounting Plate - Bronze			24
76-666	2 Light Die Cast Mounting Plate - Bronze			96
60-677	2" Diameter Pvc Mounting Post - Dark Gray			24
60-678	3" Diameter Pvc Mounting Post - Dark Gray			24
60-679	2" Diameter Pvc Mounting Post - Light Gray			24
60-680	3" Diameter Pvc Mounting Post - Light Gray			24
76-640	2" Diameter Pvc Mounting Post - Bronze			24
76-641	3" Diameter Pvc Mounting Post - Bronze			24





LED OUTDOOR WALL CYLINDERS



1 LIGHT UP OR DOWN

ITEM #	DESCRIPTION	PK
62-1137	Small - White	10
62-1138	Small - Black	10
62-1139	Small - Bronze	10
62-1147	Large - White	5
62-1148	Large - Black	5
62-1149	Large - Bronze	5

DIE-CAST ALUMINUM BODY
 UV STABILIZED POWDER COATED FINISH
 WHITE, BLACK OR BRONZE FINISH
 40° BEAM SPREAD
 IP65
 5 YEAR WARRANTY

10 WATTS	900 LUMENS	90 CRI	3000 K	120-277V
WET LOCATION	50,000 HOURS	2KV SURGE PROTECTION	UP OR DOWN	ENERGY STAR



Dimensions:
 Small
 4.5"W x 6.75"H x 3.38"Ext.
 Large
 4.5"W x 8.25"H x 4.22"Ext.



White



Bronze



Black



LED BULKHEAD WALL FIXTURES

- RUGGED CONSTRUCTION
- DIE-CAST ALUMINUM BODY
- UV STABILIZED POWDER COATED FINISH
- (4) 1/2" KNOCKOUTS
- WHITE OR BLACK FINISH WITH FROSTED GLASS
- SUITABLE FOR WET LOCATIONS
- 5 YEAR WARRANTY

2 LIGHT UP AND DOWN

ITEM #	DESCRIPTION	W	LM	PK
62-1141R1	Small - White	10	900	10
62-1142R1	Small - Black	10	900	10
62-1145R1	Small - Bronze	10	900	10
62-1143R1	Large - White	20	1800	5
62-1144R1	Large - Black	20	1800	5
62-1146R1	Large - Bronze	20	1800	5

90 CRI	3000 K	120-277V	WET LOCATION
50,000 HOURS	2KV SURGE PROTECTION	UP & DOWN	ENERGY STAR
UL LISTED	FC	RoHS COMPLIANT	

Dimensions:
 Small
 5"W x 6.75"H x 3.38"Ext.
 Large
 5"W x 11.25"H x 4.22"Ext.



ITEM #	FINISH	LM	PK
65-113	White	1440	2
65-114	Black	1440	2

20 WATTS	90 CRI	100-277V	3000 K
WET LOCATION	50,000 HOURS	3KV SURGE PROTECTION	ENERGY STAR
ETL LISTED	FC	RoHS COMPLIANT	



VAPOR TIGHT



ColorQuick™

Selectable Color Technology



PowerQuick™

Switch to/from the following CCT



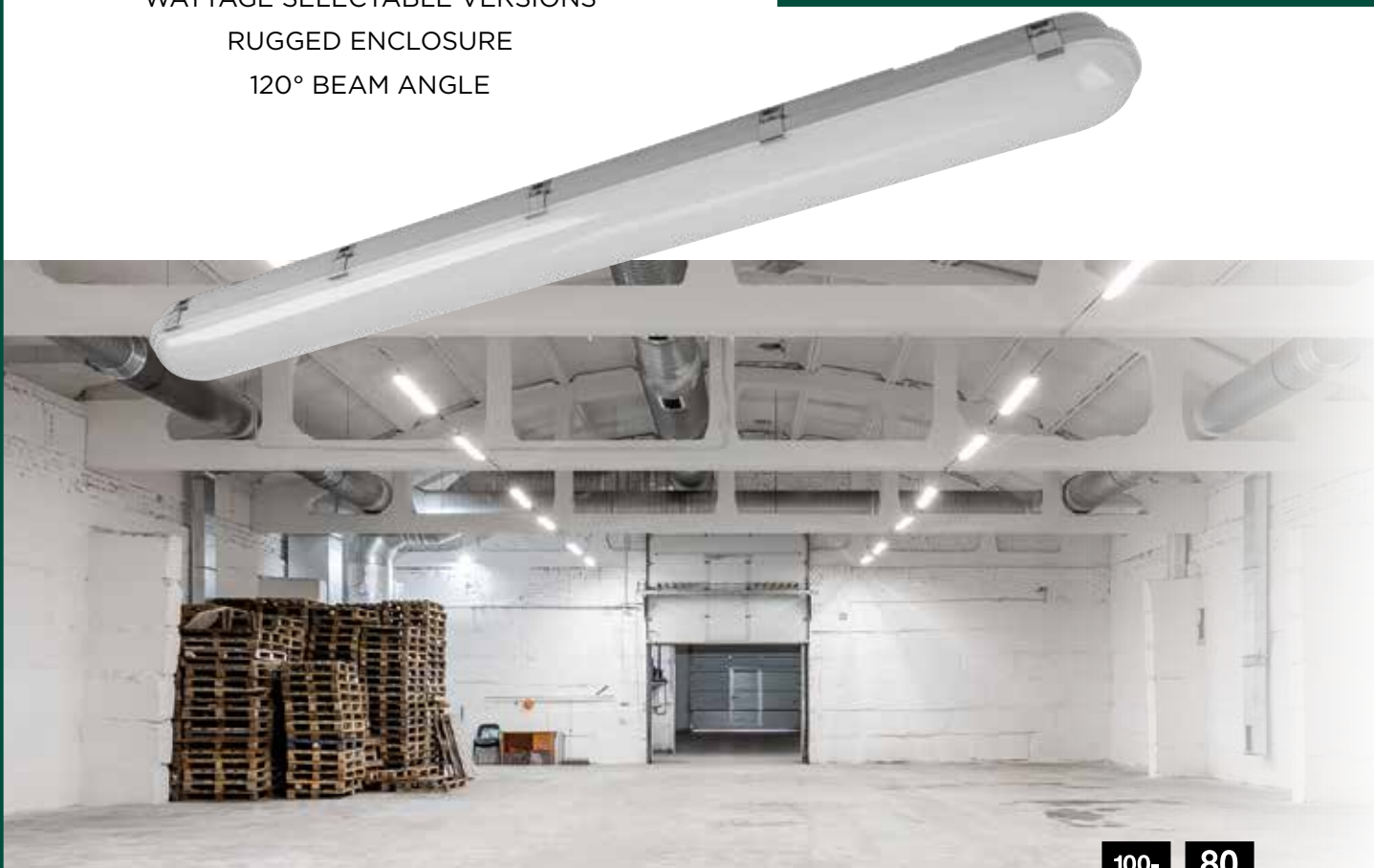
CCT SELECTABLE - 3000K/4000K/5000K

WATTAGE SELECTABLE VERSIONS

RUGGED ENCLOSURE

120° BEAM ANGLE

THE LATEST ADVANCES IN LED PROTECTED LIGHTING



100-
277V

80
CRI

*
0-10V
DIMMING

WET
LOCATION

2KV
SURGE
PROTECTION

50,000
HOURS

IP
65

IK
08

ETL
US

ALL OF
THE
BEST
DLG
PREMIUM

FC

RoHS
COMPLIANT

ITEM #	DESCRIPTION	W	CCT	LM	PK
65-820*	2' - Gray	20	3000/4000/5000	2164 - 2505	6
65-821**	4' - Gray	40/50/60	3000/4000/5000	5360 - 7991	6
65-822**	8' - Gray	50/60/72	3000/4000/5000	6400 - 9360	1
65-823	2' w/ Sensor - Gray	20	3000/4000/5000	2164 - 2505	6
65-824**	4' w/ Sensor - Gray	40/50/60	3000/4000/5000	5360 - 7991	6
65-825**	8' w/ Sensor - Gray	50/60/72	3000/4000/5000	6400 - 9360	1
Accessories					
65-826	2' & 4' Vapor Tight Suspension Kit - 3' Cable Length				100
65-827	8' Vapor Tight Suspension Kit - 3' Cable Length				50

*Consult Satco or visit www.satco.com for an up to date dimmer compatibility list.

BUILT INTO ALL OUR NEW VAPOR TIGHT & TRI-PROOF FIXTURES

TRI-PROOF



ColorQuick™

Selectable Color Technology



PowerQuick™

Switch to/from the following CCT



CCT SELECTABLE - 3000K/4000K/5000K

WATTAGE SELECTABLE VERSIONS

RUGGED ENCLOSURE

15° BEAM ANGLE



ITEM #	DESCRIPTION	W	CCT	LM	PK
65-830*	2' - Gray	20	3000/4000/5000	2065 - 2249	6
65-831* **	4' - Gray	40/50/60	3000/4000/5000	5040 - 7669	6
65-832	2' w/ Sensor - White/Gray	20	3000/4000/5000	2065 - 2249	6
65-833* **	4' w/ Sensor - White/Gray	40/50/60	3000/4000/5000	5040 - 7669	6
Accessories					
65-828	2' & 4' Tri-Proof Suspension Kit - 3' Cable Length				100

100-277V

80 CRI



2KV SURGE PROTECTION

50,000 HOURS

IP 65

IK 08



*Consult Satco or visit www.satco.com for an up to date dimmer compatibility list.

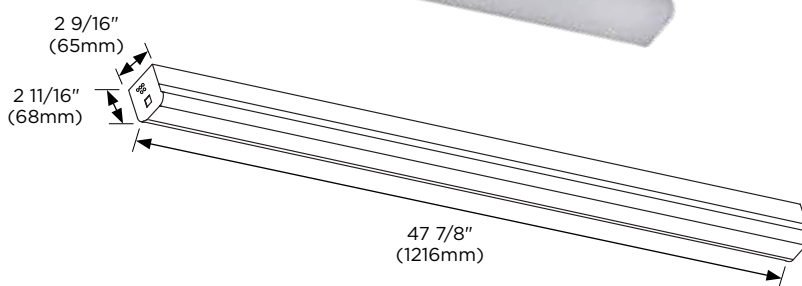
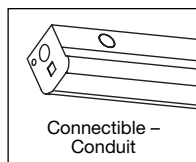
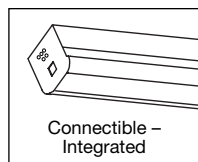


POPULAR SLIM & WIDE LED STRIP LIGHTS



SLIM CONNECTIBLE VERSION

- BUILT-IN J-BOX FOR EASY INSTALLATION
- SIX 1/2" KNOCKOUT ACCESS POINTS ON CONDUIT CONNECTIBLE VERSIONS
- INTEGRATED CONNECTIBLE VERSION, CONNECT UP TO 10 UNITS (CONNECTOR SOLD SEPARATELY)
- 2KV SURGE PROTECTION
- 5 YEAR WARRANTY



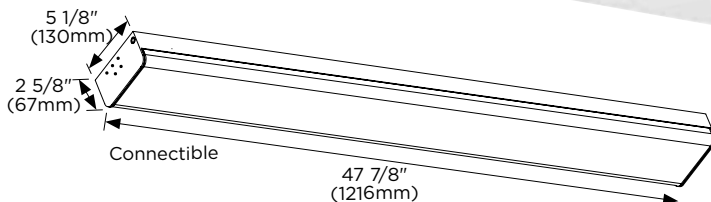
ITEM #	DESCRIPTION	CCT	LM	LINKABLE	PK
65-1122	Slim Strip Light	4000K	4565	No	6
65-1123	Slim Strip Light	5000K	4860	No	6
65-1125	Slim Connectible Strip Light	4000K	4565	Yes (10 units)	6
65-1126	Slim Connectible Strip Light	5000K	4860	Yes (10 units)	6
Accessories					
65-1118	Quick Connector				100
65-1119	18" Quick Cable				100
65-1127	33" Suspension Kit				48
86-202	Microwave Sensor - White				30
86-211	PIR Sensor - White				20

- 38 WATTS
- 80 CRI
- 120-277V*
- 0-10V DIMMING
- DAMP LOCATION
- 50,000 HOURS
- 2KV SURGE PROTECTION
- IP 44
- UL LISTED
- DLC QUALIFIED
- FC
- RoHS COMPLIANT



WIDE LED STRIP LIGHTS

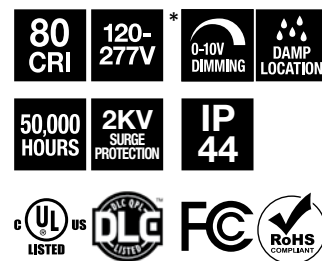
AVAILABLE:
WITH OR WITHOUT SENSOR VERSIONS
EMERGENCY BATTERY BACKUP VERSIONS



ITEM #	DESCRIPTION	W	CCT	LM	LINKABLE	PK
65-1132	Wide Strip Light	38	4000K	4829	No	6
65-1133	Wide Strip Light	38	5000K	4909	No	6
65-1135	Wide Connectible Strip Light	38	4000K	4829	10 units	6
65-1136	Wide Connectible Strip Light	38	5000K	4909	10 units	6
65-1142	Wide Strip Light w/Sensor	40	4000K	4829	No	6
65-1143	Wide Strip Light w/Sensor	40	5000K	4909	No	6
65-1145	Wide Connectible Strip Light w/Sensor	40	4000K	4829	10 units	6
65-1146	Wide Connectible Strip Light w/Sensor	40	5000K	4909	10 units	6
65-1152	EM Wide Strip Light	40	4000K	4829	No	6
65-1153	EM Wide Strip Light	40	5000K	4909	No	6
65-1155	EM Wide Connectible Strip Light	40	4000K	4829	10 units	6
65-1156	EM Wide Connectible Strip Light	40	5000K	4909	10 units	6

Accessories

65-1118	Quick Connector					100
65-1119	18" Quick Cable					100
65-1127	33" Suspension Kit					48
86-202	Microwave Sensor - White					30
86-211	PIR Sensor - White					20



*Consult Satco or visit www.satco.com for an up to date dimmer compatibility list.



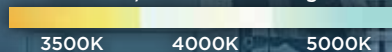
BACK-LIT FLAT PANELS

ITEM #	DESCRIPTION	W	V	CCT SELECTABLE	LM	PK
LED Back-lit flat panel with ColorQuick technology						
65-571	2x2 LED Backlit	40	100-277	3500K/4000K/5000K	4200-4400	1
65-573	1x4 LED Backlit	40	100-277	3500K/4000K/5000K	4200-4400	1
65-572	2x4 LED Backlit	50	100-277	3500K/4000K/5000K	5250-5500	1
65-581	2x2 LED Backlit	40	100-347	3500K/4000K/5000K	4200-4400	1
65-582	2x4 LED Backlit	50	100-347	3500K/4000K/5000K	5250-5500	1
65-583	1x4 LED Backlit	40	100-347	3500K/4000K/5000K	4200-4400	1
65-575	2x2 LED EM Backlit	40	100-277	3500K/4000K/5000K	4200-4400	1
65-577	1x4 LED EM Backlit	40	100-277	3500K/4000K/5000K	4200-4400	1
65-576	2x4 LED EM Backlit	50	100-277	3500K/4000K/5000K	5250-5500	1
65-585	2x2 LED EM Backlit	40	100-347	3500K/4000K/5000K	4200-4400	1
65-586	2x4 LED EM Backlit	50	100-347	3500K/4000K/5000K	5250-5500	1
65-587	1x4 LED EM Backlit	40	100-347	3500K/4000K/5000K	4200-4400	1




ColorQuick™
 Selectable Color Technology

Switch to/from the following CCT



BACKLIT LED TECHNOLOGY

0-10V DIMMING

80 CRI

100-277V/100-347V VERSIONS

DLC CERTIFIED

DAMP LOCATION

50,000 HOURS

**PANELS
ON SALE**

INSTALLATION ACCESSORIES

ITEM #	DESCRIPTION	DIMENSIONS	FINISH	PK
LED Back-lit suspension kit — includes all necessary mounting hardware and 4' of airplane cable				
65-591	2x2 Suspension Kit			30/1
65-592	1x4 Suspension Kit			30/1
65-593	2x4 Suspension Kit			30/1
LED Back-lit slim frame kit — includes all necessary hardware (Not for use with EM Panel)				
65-598	1 x 4 Backlit Panel Frame Kit	48 ¹ / ₃₂ " L x 12 ¹ / ₁₆ " W x 2 ⁵ / ₈ " D	White	10/1
65-599	2 x 4 Backlit Panel Frame Kit	48 ¹ / ₃ " L x 23 ³¹ / ₃₂ " W x 2 ³ / ₈ " D	White	10/1
65-600	2 x 2 Backlit Panel Frame Kit	23 ³¹ / ₃₂ " L x 24 ¹ / ₆₄ " W x 2 ³ / ₈ " D	White	10/1
LED Back-lit surface mount frame kit — includes all necessary hardware				
65-595	1 x 4 Frame Kit EM	48" L x 12 ¹¹ / ₁₆ " W x 4 ⁵ / ₁₆ " D	White	10/1
65-596	2 x 2 Frame Kit EM	24 ¹ / ₁₆ " L x 24 ⁹ / ₁₆ " W x 4 ⁵ / ₁₆ " D	White	10/1
65-597	2 x 4 Frame Kit EM	48" L x 24 ⁹ / ₁₆ " W x 4 ⁵ / ₁₆ " D	White	10/1
LED Back-lit recessed flange kit — includes all necessary hardware				
65-588	1 x 4 Recessed Flange Kit	49 ³ / ₁₆ " L x 13 ¹ / ₄ " W x 1 ¹ / ₄ " D	White	10/1
65-589	2 x 2 Recessed Flange Kit	25 ³ / ₁₆ " L x 25 ³ / ₁₆ " W x 1 ¹ / ₂ " D	White	10/1
65-590	2 x 4 Recessed Flange Kit	49 ³ / ₁₆ " L x 25 ³ / ₁₆ " W x 1 ¹ / ₂ " D	White	10/1

Low profile side-mounted
wiring/driver compartment





LOW PROFILE TROFFERS SINGLE AND DOUBLE BASKET

CCT SELECTABLE -
3500K/4000K/5000K
WATTAGE SELECTABLE
VOLUMETRIC DESIGN
FLICKER-FREE DRIVER
DROP INTO T-BAR GRID
5 YEAR WARRANTY



WATTAGE & CCT SELECTABLE



ColorQuick[™]

Selectable Color Technology

Switch to/from the following CCT



PowerQuick[™]

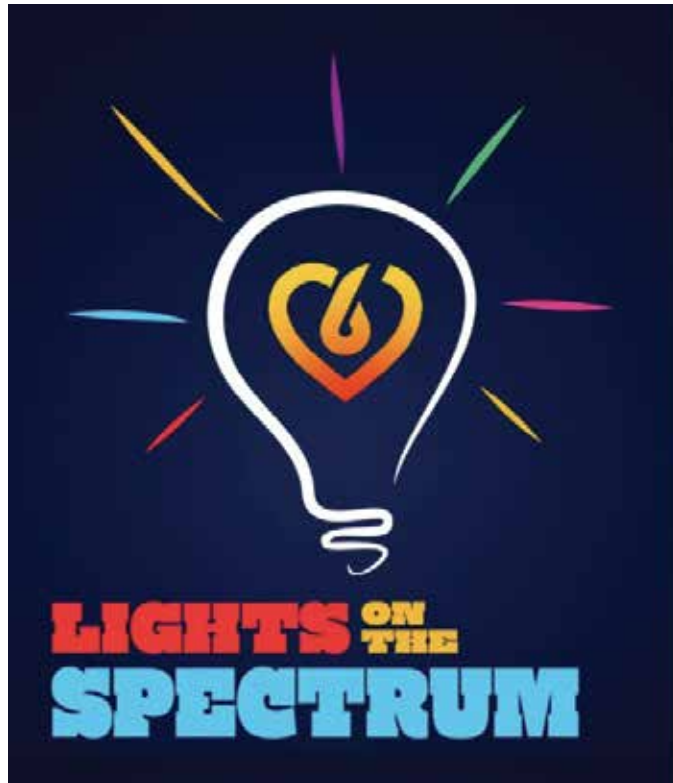
80 CRI | **100-277V** | **0-10V DIMMING** | **DAMP LOCATION** | **50,000 HOURS** | **2KV SURGE PROTECTION** | **UL LISTED** | **ULC OPN LISTED** | **FC** | **RoHS COMPLIANT**

ITEM #	DESCRIPTION	W	CCT	LM	PK
65-690	2x2 Single basket	30/35/40	3500K/4000K/5000K	3300-4400	1
65-691	2x4 Single basket	30/40/50	3500K/4000K/5000K	3300-5500	1
65-694	2x2 Double basket	30/35/40	3500K/4000K/5000K	3300-4600	1
65-695	2x4 Double basket	30/40/50	3500K/4000K/5000K	3300-5750	1

AUTISM AWARENESS

SATCO® has always felt strongly about giving back and supporting others. Not only is giving back important, but it also helps us connect with others and create a chain of positivity. This year, SATCO® joined the Lights on the Spectrum initiative to help shine a light on autism and the individuals with this condition.

The Autism Society hosted a silent auction with the goal of having many in the lighting industry involved. SATCO® being a major supporter, hopes to raise awareness and help build a brighter future for people with Autism.



To learn more about how you can get involved, visit:

<http://lightsonthespectrum.betterworld.org>



The Global Lighting Industry Making A Brighter
Future For People On The Autism Spectrum



UNDER CABINET SOLUTIONS

PORTABLE LED UNDER-CABINET LIGHT BAR



18" AND 24" LENGTHS
 SLEEK DESIGN - ONLY 1" DEEP
 EASY INSTALLATION - KEYHOLE
 OR 3M™ TAPE MOUNTING
 SIMPLE PLUG-IN OPERATION
 DAMP LOCATION
 STANDALONE FIXTURE

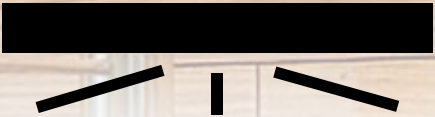
ITEM #	DESCRIPTION	W	LM	PK
63-700	18" Light Bar	10	860	12
63-701	24" Light Bar	13.5	1050	12

80 CRI **3000 K** **120V**

DAMP LOCATION **50,000 HOURS** **STANDARD PLUG IN**



COUNTERQUICK™ ADVANCED UNDER CABINET LED LIGHTING



COUNTERQUICK™ LED Linkable Under Cabinet Fixture

No matter how you hang it, install it, connect it, link it, wire it, or light it—CounterQUICK™ is designed to help get the job done. Multiple installation options save on labor. Quality and durability make for a long, maintenance-free life. Plus, sku-saving selectable CCT at the switch!

It's that quick. It's that easy!



CONNECTOR
INPUT



CCT SELECTABLE AND
HIGH/LOW SWITCH



AMPLE SPACE
FOR WIRING



UV STABILIZED
LIGHT DIFFUSING LENS



CONCEALED INTEGRATED
MOUNTING SCREWS



3

3-Ways to Wire it

DIRECT WIRE to fixture.
DIRECT WIRE to **JUNCTION BOX**.
PLUG into outlet.

2

2-Mounting Solutions

DIRECT MOUNT with integrated
mounting screws or **KEYHOLE**
mount using included hardware.

1

1-SKU = 3 CCT Colors

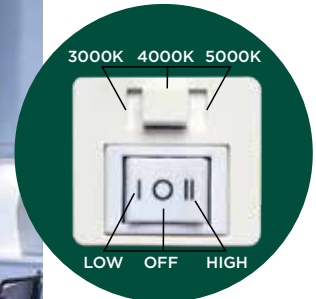
3000K/4000K/5000K
Select at the external switch
Change any time.

COUNTERQUICK™ LED LINKABLE FAMILY

3000K Warm White

4000K Neutral White

5000K Cool White



ColorQuick™

Selectable Color Technology



WHAT'S IN THE BOX?



ITEM #	DESCRIPTION	W	LM	V	DIMENSIONS	CONNECTION QTY
63-500	8in. LED Linkable Under Cabinet Fixture	5	322-366	120	L:8in. W:3.5in. H:1in.	up to 96
63-501	11in. LED Linkable Under Cabinet Fixture	6.5	408-456	120	L:11in. W:3.5in. H:1in.	up to 72
63-502	14in. LED Linkable Under Cabinet Fixture	9	577-647	120	L:14in. W:3.5in. H:1in.	up to 48
63-503	22in. LED Linkable Under Cabinet Fixture	13	859-957	120	L:22in. W:3.5in. H:1in.	up to 36
63-504	28in. LED Linkable Under Cabinet Fixture	17	1216-1366	120	L:28in. W:3.5in. H:1in.	up to 22





COUNTERQUICK™
LED Linkable Under Cabinet Fixture

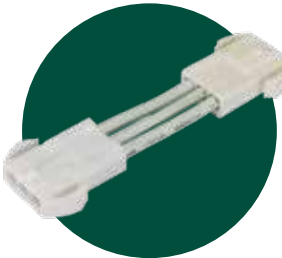
ACCESSORIES



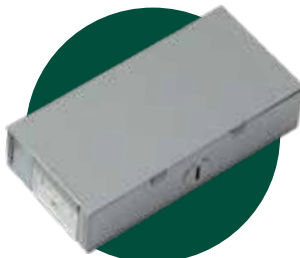
63-511
END-TO-END CONNECTOR
(1 included with fixture)



63-513
PLASTIC JUNCTION
BOX (63-512 3/8 in. Wire
Connector Attached)



63-518
MALE-TO-FEMALE
LINK CONNECTOR



63-514
METAL
JUNCTION BOX



63-515(6in.),
63-516(12in.), **63-517**(24in.)
LINK CABLE



63-510
POWER
CORD

COUNTER DISPLAY



Counter Display Item # S1502

INCLUDES ITEM 63-501 /
11" DEMONSTRATION SAMPLE
DIMENSIONS: 17³/₄"H X 16"W X 7"D
BROCHURE HOLDER AND PRODUCT
BROCHURES INCLUDED
MADE OF METAL AND WHITE ACRYLIC

CounterQuick Catalog # NU1687
Display Brochure Re-order # NU1688

Minimum CounterQuick purchase
required for free display.*

*One display per customer.



ITEM #	DESCRIPTION	DIMENSIONS	MASTER	PKG
63-510	Under Cabinet Power Cord	L:60in.	96	Polybag
63-511	Under Cabinet End Connector	L:1in.	96	Polybag
63-512	Under Cabinet 3/8in. Wire Connector	L:1.5in. W:0.67in. H:0.35in.	96	Polybag
63-513	Under Cabinet Junction Box - Plastic	L:4in. W:2in. H:1in.	48	Box
63-514	Under Cabinet Junction Box - Metal	L:4in. W:2in. H:1in.	48	Box
63-515	Under Cabinet Link Cable 6in.	L:6in.	96	Polybag
63-516	Under Cabinet Link Cable 12in.	L:12in.	96	Polybag
63-517	Under Cabinet Link Cable 24in.	L:24in.	96	Polybag
63-518	Under Cabinet Cable Link Connector	L:3in.	96	Polybag



LED LINEAR TRACK BARS

The track bar brings linear light to the traditional track system adding a whole new dimension to one of the most customizable and flexible lighting systems.

SATCO's linear track bar fixture illuminates its subjects on a linear plane making it perfect for lighting photos and artwork, relief walls, signs and menus. Superior quality lighting in warm 3000K CCT and 90 CRI, SATCO's track bar delivers the high-end light wash effect to lower ceiling heights.

Available in white and black finish, each track bar has a 30° beam angle, 270° of rotation and is available in 1, 2, 3 or 4 ft sizes, perfect for restaurant, hospitality, art galleries, home and more.



TH507

TH500

Black or White Finish



ITEM #	DESCRIPTION	W	LM	FINISH	PK
TH500	1 Ft. Track Bar	15	960	White	12
TH501	1 Ft. Track Bar	15	960	Black	12
TH502	2 Ft. Track Bar	30	1920	White	12
TH503	2 Ft. Track Bar	30	1920	Black	12
TH504	3 Ft. Track Bar	45	2880	White	12
TH505	3 Ft. Track Bar	45	2880	Black	12
TH506	4 Ft. Track Bar	60	3840	White	12
TH507	4 Ft. Track Bar	60	3840	Black	12

COMPATIBLE WITH SATCO'S "H" TYPE TRACK SYSTEM

**ARCHITECTURAL
LIGHTING
EFFECTS
DONE
EASILY!**



TH502



**270°
Rotation**

**Locking
Lever**

1 1/2"



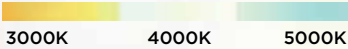
CONTEMPORARY CCT SELECTABLE LED GLAMOUR & CRISPO FIXTURES



ColorQuick™

Selectable Color Technology

Switch to/from the following CCT



3000K 4000K 5000K



ITEM #	DESCRIPTION	W	LM	CCT SELECTABLE	PK
Glamour Surface Mount					
62-1635	10" Round - Brushed Nickel	18	1440-1530	3000K/4000K/5000K	6
62-1636	13" Round - Brushed Nickel	25	2000-2125	3000K/4000K/5000K	6
62-1637	17" Round - Brushed Nickel	25	2000-2125	3000K/4000K/5000K	4
62-1638	24" Round - Brushed Nickel	39	3000-3150	3000K/4000K/5000K	2
62-1641	32" Oval - Brushed Nickel	52	4160-4420	3000K/4000K/5000K	1
62-1735	10" Round - Black	18	1440-1530	3000K/4000K/5000K	6
62-1736	13" Round - Black	25	2000-2125	3000K/4000K/5000K	6
62-1737	17" Round - Black	25	2000-2125	3000K/4000K/5000K	4
62-1738	24" Round - Black	39	3000-3150	3000K/4000K/5000K	2
62-1741	32" Oval - Black	52	4160-4420	3000K/4000K/5000K	1
Glamour Linear					
62-1639	25" Linear - Brushed Nickel	26	2000-2100	3000K/4000K/5000K	3
62-1640	50" Linear - Brushed Nickel	52	4160-4420	3000K/4000K/5000K	1
62-1739	25" Linear - Black	26	2000-2100	3000K/4000K/5000K	3
62-1740	50" Linear - Black	52	4160-4420	3000K/4000K/5000K	1
Glamour & Crispo Wall Sconce					
62-1645	Glamour Wall Sconce - Brushed Nickel	10	800-850	3000K/4000K/5000K	6
62-1745	Glamour Wall Sconce - Black	10	800-850	3000K/4000K/5000K	6
62-1646	Crispo Wall Sconce - White	10	800-850	3000K/4000K/5000K	6
Glamour & Crispo Vanity					
62-1631	25" Glamour Vanity - Brushed Nickel	26	2000-2100	3000K/4000K/5000K	6
62-1632	49" Glamour Vanity - Brushed Nickel	52	4160-4420	3000K/4000K/5000K	4
62-1731	25" Glamour Vanity - Black	26	2000-2100	3000K/4000K/5000K	6
62-1732	49" Glamour Vanity - Black	52	4160-4420	3000K/4000K/5000K	4
62-1633	25" Crispo Vanity - White	26	2000-2100	3000K/4000K/5000K	6
62-1634	49" Crispo Vanity - White	52	4160-4420	3000K/4000K/5000K	4



SCONCE

9" WIDTH

GLAMOUR
BLACK OR BRUSHED
NICKEL FINISH



CRISPO
WHITE FINISH

VANITY

AVAILABLE IN
25" & 50" LENGTH

GLAMOUR
BLACK OR BRUSHED
NICKEL FINISH



CRISPO
WHITE FINISH

SURFACE MOUNT

AVAILABLE IN
10", 13", 17", 24" ROUND
32" OVAL LENGTH

GLAMOUR
BLACK OR BRUSHED
NICKEL FINISH



LINEAR

25" AND 50" LENGTH

GLAMOUR
BLACK OR BRUSHED
NICKEL FINISH



MORE SIZES, MORE STYLES ONLINE AT SATCO.COM

COMING SOON!



PROMOTE, ORGANIZE, AND MERCHANDISE YOUR PRODUCTS IN A WHOLE NEW WAY

Sometimes finding new ways to motivate and sell can be a challenge. However, at other times, motivation can come simply from finding the right tools and supplies to allow your products to shine for themselves.

Now you can promote, organize, and merchandise your products in a whole new way! If your business is motivated enough to bring in the sales, then Satco's Motivation Program is just the tool you need to get it done!



Want to get motivated? Scan here to complete an online form for more information and have a representative contact you.



FLOOR UNIT



WALL PANEL MERCHANDISER

SATCO'S MOTIVATION PROGRAM IS AN INTERACTIVE SYSTEM THAT ALLOWS YOU TO BUILD AND CREATE YOUR OWN GRIDWALL. WITH THE ABILITY TO CHOOSE FROM ONE, TWO, OR 4-FIXTURE PANELS.

SLATWALL MOUNTED MERCHANDISER

Present a number of LED assortments with matching descriptive graphics. Created for easy installation, this merchandiser was designed with a lightweight styrene backer that mounts directly to your slatwall. Easily mount an interchangeable header graphic to help advertise new product!



Available Product Demonstrator

See product sheet SA2813 for more details.



SA1333

Interchangeable graphics

Individual On/Off switches



DOWNLOAD THE PRODUCT SHEET TO LEARN MORE!



HIGH PERFORMANCE LED A19 LAMPS, DESIGNED FOR USE IN DEMANDING COMMERCIAL/ AGRICULTURAL APPLICATIONS.



Advanced dimming capability – for use with programmed dimmer control systems commonly used in the poultry industry.

Enhanced thermal dissipation – allows for use in more demanding commercial applications with longer operating cycles.



S11430

ITEM #	DESCRIPTION	CCT	LM	CRI	PK
S11430	5A19/LED/827/AGRI/120V/D	2700	550	80	48
S11431	5A19/LED/850/AGRI/120V/D	5000	550	80	48
S11432	9A19/LED/827/AGRI/120V/D	2700	1000	80	48
S11433	9A19/LED/850/AGRI/120V/D	5000	1000	80	48





ON AT DUSK, OFF AT DAWN



S11428

S11421, S11427

INDOOR/OUTDOOR RESIDENTIAL AND COMMERCIAL LIGHTING

**AUTOMATIC OPERATION -
NO TIMERS TO SET**

**INTERNAL SENSOR WORKS
IN ANY DIRECTION**

DAMP LOCATION



ITEM #	DESCRIPTION	W	LM	V	CRI	CCT	PK
S11428	6.5A19/DUSK/DAWN/CL/27K	6.5	800	120	80	2700	24/6
S11421	8A19/DUSK/DAWN/LED/27K	8	800	120	80	2700	24/6
S11427	8A19/DUSK/DAWN/LED/50K	8	800	120	80	5000	24/6

Not compatible with external photo sensors, motion sensors or timers
^ See warranty for details at www.satco.com

SATCO | NUVO



LED EFFICIENCY FOR 12-34V SYSTEMS



S25011

ENCLOSED FIXTURE	DAMP LOCATION	800 LUMENS	25,000 HOURS
------------------	---------------	-------------------	---------------------

60 WATT INCANDESCENT REPLACEMENT
USES ONLY 9.2 WATTS
12-34 V DC



ITEM #	DESCRIPTION	W	L	V	CRI	CCT	PK
S25011	9A19/LED/12-34VDC/827/ND	9	800	12V-34	80	2700	24/6
S25012	9A19/LED/12-34VDC/850/ND	9	800	12V-34	80	5000	24/6



LED T10 HIGH LUMEN LAMPS



**75WATT HALOGEN
REPLACEMENT FOR
DISPLAY & PICTURE LIGHTING
3000 & 4000K**

S11218



ITEM #	DESCRIPTION	W	L	V	CRI	CCT	PK
Non-Dimmable							
S11218	8T10/LED/HL/30K/FR/ND/CD	8	1020	120	80	3000	24
S11219	8T10/LED/HL/40K/FR/ND/CD	8	1080	120	80	4000	24
Dimmable							
S11224*	8T10/LED/HL/930/FR/DIM/CD	8	900	120	80	3000	24
S11225*	8T10/LED/HL/940/FR/DIM/CD	8	900	120	80	4000	24



Not for use in wet or damp locations.

SATCO® | NUVO®





ELEGANCE & EFFICIENCY, BOXED OR CARDED, THE “MOST DECORATIVE” DECORATIVE LED LAMPS.

Add elegance and style to any fixture—even when not illuminated! Our Satco-Escent LED lamps offer an upscale look, especially in chandeliers, wall sconces, candle sticks, candelabras and other decorative fixtures that demand an extra level of class. Museums, restaurants, banquet halls and other venues where elegance and authenticity is key, will benefit from this classic style and LED efficiency. Available boxed or carded for retail success.

- UNIQUE SATIN-SPUN WHITE OR AMBER FINISH
- E26 AND E12 BASE OPTIONS
- DIMMABLE
- LED FILAMENT TECHNOLOGY





ITEM #	DESCRIPTION	W	L	V	BASE	FINISH	CRI	CCT	PK
BOXED									
S11300	2CA11/LED/SA/E12/27K/120V	2	150	120	E12	Satin Spun	80	2700	24
S11301	2CA11/LED/A/E12/21K/120V	2	100	120	E12	AmberSpun	80	2100	24
S11302	4CA11/LED/SA/E12/27K/120V	4	300	120	E12	Satin Spun	80	2700	24
S11303	4CA11/LED/A/E12/21K/120V	4	200	120	E12	AmberSpun	80	2100	24
S23403	2C11/LED/SA/E26/27K/120V	2	120	120	E26	Satin Spun	80	2700	24
S23407	2C11/LED/A/E26/23K/120V	2	100	120	E26	Amber Spun	80	2100	24
S23413	4C15/LED/SA/E26/27K/120V	4	300	120	E26	Satin Spun	80	2700	24
S23412	4C15/LED/A/E26/23K/120V	4	240	120	E26	Amber Spun	80	2100	24
CARDED									
S11304	2CA11/LED/SA/E12/27K/120V/CD	2	150	120	E12	Satin Spun	80	2700	24
S11305	2CA11/LED/A/E12/21K/120V/CD	2	100	120	E12	AmberSpun	80	2100	24
S11306	4CA11/LED/SA/E12/27K/120V/CD	4	300	120	E12	Satin Spun	80	2700	24
S11307	4CA11/LED/A/E12/21K/120V/CD	4	200	120	E12	AmberSpun	80	2100	24
S22703	2C11/LED/SA/E26/27K/120V/CD	2	120	120	E26	Satin Spun	80	2700	24
S22707	2C11/LED/A/E26/23K/120V/CD	2	100	120	E26	Amber Spun	80	2100	24
S22713	4C15/LED/SA/E26/27K/120V/CD	4	300	120	E26	Satin Spun	80	2700	24
S22712	4C15/LED/A/E26/23K/120V/CD	4	240	120	E26	Amber Spun	80	2100	24

^ See warranty for details at www.satco.com

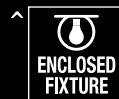




**MORE VIVID
COLORS,
IMPROVED
EFFICIENCY,
AND LONG LIFE**



ITEM #	DESCRIPTION	W	V	CRI	LENS FINISH	PK
S29480	11.5PAR38/LED/90'/RED	11.5	120	80	RED	12/6
S29481	11.5PAR38/LED/90'/GREEN	11.5	120	80	GRN	12/6
S29482	11.5PAR38/LED/90'/BLUE	11.5	120	80	BLUE	12/6
S29483	11.5PAR38/LED/90'/AMBER	11.5	120	80	AMB	12/6
S29484	11.5PAR38/LED/90'/YELLOW	11.5	120	80	YLW	12/6



PAR 20, PAR 30 AMBER LAMPS "TURTLE FRIENDLY"

SPECIALY PRICED!



AMBER COLOR - SEA TURTLE FRIENDLY
OPERATING TEMPERATURE - 13°F TO 113°F
(-25°C TO 45°C)

HALOGEN PAR LED REPLACEMENT
LONG LIFE - 25,000 HOURS

ITEM #	DESCRIPTION	W	V	CCT	LM	PK
S39188	6.5PAR20/LED/40'/AMBER	6.5	120	AMB	150	24/6
S29189	8PAR30/LN/LED/40'/AMBER	8	120	AMB	280	24/6





LED AR111

**AN EFFICIENT,
SMART DIRECT
REPLACEMENT
FOR HALOGEN
LAMPS WITH
SUPERIOR LIGHT.**

REPLACES 35 & 50W
PAR 36 HALOGEN LAMPS



ITEM #	DESCRIPTION	W	LM	V	CRI	CCT	PK
S12244	7AR111/LED/830/SP12/12V	7	520	12	80	3000K	24/6
S12245	7AR111/LED/830/FL36/12V	7	600	12	80	3000K	24/6
S12246	12AR111/LED/830/SP12/12V	12	850	12	80	3000K	24/6
S12247	12AR111/LED/830/FL36/12V	12	900	12	80	3000K	24/6

Non-dimmable





EFFICIENT LED TECHNOLOGY TO REPLACE DOUBLE-ENDED HALOGEN LAMPS.



OUTPERFORMS 50W AND 100W HALOGEN EQUIVALENTS
 DIRECT REPLACEMENT / ENERGY SAVING
 DIMMABLE
 PACKAGE - CARDED

ITEM #	DESCRIPTION	W	LM	V	CRI	CCT	PK
S11220	6W/LED/T3/78MM/830/120V/D	6	600	120	80	3000K	48
S11221	6W/LED/T3/78MM/840/120V/D	6	600	120	80	4000K	48
S11222	10W/LED/T3/118MM/830/120V/D	10	1200	120	80	3000K	48
S11223	10W/LED/T3/118MM/840/120V/D	10	1200	120	80	4000K	48



^ See warranty for details at www.satco.com



ARRIVING
MARCH 2022

CCT & WATTAGE SELECTABLE FOR LARGE SCALE LIGHTING APPLICATIONS



PowerQuick™
Wattage Selectable

Wide Variety of Wattage Options



ColorQuick™
Selectable Color Technology

Switch to/from the following CCT



CCT SELECTABLE—3000K, 4000K, 5000K

WATTAGE SELECTABLE

ENCLOSED FIXTURE RATED

ADVANCED THERMAL MANAGEMENT

DAMP LOCATION

4KV BUILT IN SURGE PROTECTION

50,000 HOURS

REPLACES HIGH-LUMEN HID LAMPS



3000K



4000K



5000K

HI-PRO LED CCT & WATTAGE SELECTABLE LAMPS ADAPT TO MANY APPLICATIONS AND MORE VENUES.



ITEM #	DESCRIPTION	WATTAGE SELECTABLE	CCT SELECTABLE	LM/WATTAGE HIGH/MED/LOW	CRI	M.O.L. (INCHES)	PK
S23146	18W/LED/HID/CCT/E26	18/16/12	3000/4000/5000	2520/2240/1680	80	6.29	24
S23147	22W/LED/HID/CCT/E26	22/18/16	3000/4000/5000	3080/2520/2240	80	6.89	24
S23148	27W/LED/HID/CCT/E26	27/22/18	3000/4000/5000	3780/3080/2520	80	6.89	24
S23151	27W/LED/HID/CCT/EX39	27/22/18	3000/4000/5000	3780/3080/2520	80	7.48	24
S23149	36W/LED/HID/CCT/E26	36/27/18	3000/4000/5000	5040/3780/2520	80	8.27	24
S23152	36W/LED/HID/CCT/EX39	36/27/18	3000/4000/5000	5040/3780/2520	80	8.50	24
S23140	45W/LED/HID/CCT/E26	45/36/27	3000/4000/5000	6300/5040/3780	80	9.45	12
S23141	45W/LED/HID/CCT/EX39	45/36/27	3000/4000/5000	6300/5040/3780	80	9.69	12
S23142	54W/LED/HID/CCT/EX39	54/45/36	3000/4000/5000	7560/6300/5040	80	9.69	12
S23150	63W/LED/HID/CCT/EX39	63/54/45	3000/4000/5000	8820/7560/6300	80	10.28	12
S23143	80W/LED/HID/CCT/EX39	80/63/54	3000/4000/5000	11200/8820/7560	80	9.96	4
S23144	100W/LED/HID/CCT/EX39	100/80/63	3000/4000/5000	14000/11200/8820	80	10.55	4
S23145	120W/LED/HID/CCT/EX39	120/100/80	3000/4000/5000	16800/14000/11200	80	11.33	4



OUR BEST VALUE LED REPLACEMENT SOLUTION FOR TRADITIONAL HID LAMPS



HIGH LUMEN PER WATT RATIO
SUPERIOR LED LIGHT OUTPUT
ENCLOSED FIXTURE RATED
ADVANCED THERMAL MANAGEMENT
DAMP LOCATION



ITEM #	DESCRIPTION	W	BASE TYPE	CCT	LM	CRI	KV SURGE PROTECTION	M.O.L. (INCHES)	PK
S49670	18W/LED/HP/827/E26	18	E26	2700	2340	80	2KV	5.45	24
S49390	18W/LED/HP/850/E26	18	E26	5000	2484	80	2KV	5.45	24
S49671	22W/LED/HP/827/E26	22	E26	2700	2860	80	2KV	5.71	24
S49391	22W/LED/HP/850/E26	22	E26	5000	3036	80	2KV	5.71	24
S49672	36W/LED/HP/827/E26	36	E26	2700	4680	80	3KV	7.16	12
S49392	36W/LED/HP/850/E26	36	E26	5000	4968	80	3KV	7.16	12
S49738	45W/LED/HP/840/E26	45	E26	4000	6165	80	3KV	7.78	12
S49739	45W/LED/HP/850/E26	45	E26	5000	6210	80	3KV	7.78	12
S49673	45W/LED/HP/840/EX39	45	EX39	4000	6165	80	3KV	8.06	12
S49393	45W/LED/HP/850/EX39	45	EX39	5000	6210	80	3KV	8.06	12
S49674	54W/LED/HP/840/EX39	54	EX39	4000	7398	80	3KV	8.78	12
S49394	54W/LED/HP/850/EX39	54	EX39	5000	7452	80	3KV	8.78	12
S49675	80W/LED/HP/840/EX39	80	EX39	4000	10960	80	4KV	8.69	4
S49395	80W/LED/HP/850/EX39	80	EX39	5000	11040	80	4KV	8.69	4
S49676	100W/LED/HP/840/EX39	100	EX39	4000	13700	80	4KV	9.67	4
S49396	100W/LED/HP/850/EX39	100	EX39	5000	13800	80	4KV	9.67	4
S49677	120W/LED/HP/840/EX39	120	EX39	4000	16440	80	4KV	10.26	4
S49397	120W/LED/HP/850/EX39	120	EX39	5000	16560	80	4KV	10.26	4

HI-PRO HIGH BAY/ LOW BAY LAMPS



REPLACES HID LAMPS
 ADVANCED PASSIVE HEAT
 DISSIPATION
 WIDE, 180° BEAM ANGLE
 LONG NECK DESIGN FITS MORE
 FIXTURES
 DIMMABLE
 DAMP LOCATION
 6KV BUILT IN SURGE PROTECTION
 DLC 5.1
 UP TO 25,000 LUMENS



- 120-277V**
- BALLAST BYPASS**
- DIMMABLE**
- DAMP LOCATION**
- ENCLOSED FIXTURE**
- 180° BEAM**

ITEM #	W	V	CCT	LM	M.O.L. (INCHES)	PK
S13150	72	120-277	4000K	11,000	4	4
S13151	72	120-277	5000K	11,000	4	4
S13152	100	120-277	4000K	15,500	4	4
S13153	100	120-277	5000K	15,500	4	4
S13154	152	120-277	4000K	25,000	4	4
S13155	152	120-277	5000K	25,000	4	4





SATCO's Hi-Pro Filament lamps offer 360° of efficient light, reducing energy consumption and maintenance where traditional HID lamps are used. These Hi-Pro lamps are lightweight and easy to install, energy efficient, and offer a traditional shape and style, making them an easy retrofit option for commercial applications. Available in E26 and EX39 Base.

HI-PRO LED FILAMENT LAMPS

TRADITIONAL LOOKS,
LONG LASTING LIGHT

120-277V

BALLAST BYPASS

WET LOCATION

360° BEAM

80 CRI



REPLACES UP TO 175W HID
E26/EX39 BASE



ITEM #	W	WATTAGE EQUIV. HID / CFL / INC	CCT	LM	M.O.L. (INCHES)	PK
E26						
S13130	16	70W/32/125	5000	2000	7 1/8	12
S13131	22	100W/55/150	5000	3000	7 1/8	12
S13132	30	125W/65/200	3000	4000	7 1/8	12
S13133	30	125W/65/200	5000	4000	7 1/8	12
EX39						
S13134	36	150W/85/300	5000	5000	8 1/2	12
S13135	42	175W/85/300	3000	6000	8 1/2	12
S13136	42	175W/85/300	5000	6000	8 1/2	12

**HID
RETROFIT
SOLUTION**

SATCO'S COMMERCIAL GRADE HIGH LUMEN A21



REPLACES HIGH LUMEN
INCANDESCENT AND CFL LAMPS
BASE UP, DOWN OR HORIZONTAL
OPERATION
UP TO 150 LPW
90 CRI OPTIONS



ITEM #	W	V	CCT	BASE	LM	M.O.L.	PK
S8735^{††}	20	120	2700K	E26	2350	5"	24/6
S8778[†]	20	120	4000K	E26	2747	5"	24/6
S8736^{††}	20	120	5000K	E26	2860	5"	24/6
S8737[*]	20	120-277	2700K	E26	2450	5"	24/6
S8779[*]	20	120-277	4000K	E26	2828	5"	24/6
S8738[*]	20	120-277	5000K	E26	2910	5"	24/6
90 CRI							
S8791^{†††}	20	120	2700	E26	2220	5"	24
S8792^{**}	20	120-277	2700	E26	2260	5"	24

† Dimmable
* Energy Star
** 90 CRI/CEC

SATCO[®] | NUVO[®]





CCT COLOR SELECTABLE DOWNLIGHT RETROFITS — NOW IN 4 FINISHES



BRONZE



BLACK



BRUSHED NICKEL

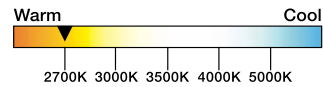


E26 Adapter included (S9001)
GU10 Adapter sold separately (S9000)
GU24 Adapter sold separately (S8999)



ColorQuick

Selectable Color Technology



ITEM #	DESCRIPTION	CCT	LM	CRI	PK
4" & 5/6" DOWNLIGHT RETROFITS - White					
S11800	7WLED/RDL/4/CCT-SEL/120V/WH	27K,30K,35K,40K,50K	600	90	16/4
S11801	9WLED/RDL/5-6/CCT-SEL/120V/WH	27K,30K,35K,40K,50K	800	90	8
S11825	13.5WLED/RDL/5-6/CCT-SEL/120V/WH	27K,30K,35K,40K,50K	1200	90	8
4" DOWNLIGHT RETROFITS - Black / Nickel / Bronze					
S11832	7WLED/RDL/4/CCT-SEL/120V/BL	27K,30K,35K,40K,50K	600	90	25
S11833	7WLED/RDL/4/CCT-SEL/120V/BN	27K,30K,35K,40K,50K	600	90	25
S11834	7WLED/RDL/4/CCT-SEL/120V/BZ	27K,30K,35K,40K,50K	600	90	25
5/6" DOWNLIGHT RETROFITS - Black / Nickel / Bronze					
S11835	9WLED/RDL/5-6/CCT-SEL/120V/BL	27K,30K,35K,40K,50K	800	90	25
S11836	9WLED/RDL/5-6/CCT-SEL/120V/BN	27K,30K,35K,40K,50K	800	90	25
S11837	9WLED/RDL/5-6/CCT-SEL/120V/BZ	27K,30K,35K,40K,50K	800	90	25

*E26 Base adaptor included.

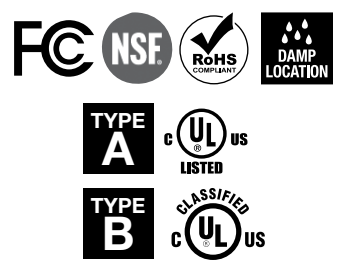


SKU-REDUCING, DUAL MODE REPLACEMENTS FOR T8 LAMPS IN EXISTING FIXTURES, WITH OR WITHOUT BALLASTS



TYPE A* & TYPE B** - DUAL MODE (DM) Ballast Compatible & Ballast Bypass

ITEM #	DESCRIPTION	CCT	LM	CRI	PACK
S11974	12T8/48-830/DM/A-B	3000K	1700	82	25
S11975	12T8/48-835/DM/A-B	3500K	1700	82	25
S11976	12T8/48-840/DM/A-B	4000K	1800	82	25
S11977	12T8/48-850/DM/A-B	5000K	1800	82	25



*Visit satco.com for ballast compatibility list.
**120-277V direct wire. Visit satco.com for installation & wiring instructions.

System Performance

Item	Description	CCT	Bare Lamp Wattage			System Wattage			Initial Lumens			Lifetime					
			Nominal Wattage	Nominal Lumens	Lamp Efficiency	LBF (0.78)	NBF (0.88)	HBF (1.18)	LBF (0.78)	NBF (0.88)	HBF (1.18)	LBF (0.78)	NBF (0.88)	HBF (1.18)			
S11974	12T8/LED/48-830/DM/A-B	3000	12	1700	150	10.2	12.0	16.4	13.0	15.0	21.5	1510	1680	2180	>50Khrs	>50Khrs	≤50Khrs
S11975	12T8/LED/48-835/DM/A-B	3500	12	1700	150	10.2	12.0	16.4	13.0	15.0	21.5	1570	1750	2270	>50Khrs	>50Khrs	≤50Khrs
S11976	12T8/LED/48-840/DM/A-B	4000	12	1800	150	10.2	12.0	16.4	13.0	15.0	21.5	1620	1800	2330	>50Khrs	>50Khrs	≤50Khrs
S11977	12T8/LED/48-850/DM/A-B	5000	12	1800	150	10.2	12.0	16.4	13.0	15.0	21.5	1620	1800	2330	>50Khrs	>50Khrs	≤50Khrs



COLOR QUICK™ LED TUBES: THE T8 LAMPS THAT REDUCE ENERGY COSTS & SKUS.

Attractive,
informative
2-packs

CCT Selectable
4000K,
5000K,
6500K

CCT SELECTABLE 4000K, 5000K, 6500K
BALLAST BYPASS REPLACES 4' T8 & T12
BALLAST COMPATIBLE REPLACES T8 ON
ELECTRONIC IS & RS BALLASTS
SINGLE SLEEVE OR RETAIL-READY
2-PACK
ALL GLASS TUBE
5 YEAR WARRANTY



ColorQuick™

Selectable Color Technology

Switch to/from the following CCT



ITEM #	DESCRIPTION	CCT	LM	PK
DIRECT REPLACEMENT - BALLAST COMPATIBLE				
S11918*	10T8/LED/48/CCT-SEL/DR/2PK	4000K/5000K/6500K	1800	10-2 pks
S11928*	10T8/LED/48/CCT-SEL/DR	4000K/5000K/6500K	1800	25 pk

*Visit satco.com for ballast compatibility list.



ITEM #	DESCRIPTION	CCT	LM	PK
DIRECT WIRE - BALLAST BYPASS				
S11919**	12.5T8/LED/48/CCT-SEL/BP/2PK	4000K/5000K/6500K	1800	10-2 pks
S11929**	12.5T8/LED/48/CCT-SEL/BP	4000K/5000K/6500K	1800	25 pk

**120-277V direct wire. Visit satco.com for installation & wiring instructions.

BUY AMERICAN ACT (BAA)
 LINEAR BALLAST BYPASS LED T8 LAMPS
 SINGLE OR DOUBLE
 ENDED WIRING OPTIONS
 SINGLE OR DOUBLE ENDED WIRING*
 ALL-GLASS TUBES
 DIRECT WIRE 120-277V LINE VOLTAGE
 SUITABLE FOR DAMP LOCATIONS
 DLC 5.1
 LONG LIFE—50,000 HOURS

EA.



ITEM #	DESCRIPTION	CCT	LM	PK
2' LED T8				
S11980	9T8/LED/24-830/BP/USA	3000	1100	25
S11981	9T8/LED/24-835/BP/USA	3500	1100	25
S11982	9T8/LED/24-840/BP/USA	4000	1150	25
S11983	9T8/LED/24-850/BP/USA	5000	1150	25
3' LED T8				
S11984	12T8/LED/36-830/BP/USA	3000	1400	25
S11985	12T8/LED/36-835/BP/USA	3500	1400	25
S11986	12T8/LED/36-840/BP/USA	4000	1450	25
S11987	12T8/LED/36-850/BP/USA	5000	1450	25
4' LED T8				
S11988	10.5T8/LED/48-830/BP/USA	3000	1700	25
S11989	10.5T8/LED/48-835/BP/USA	3500	1700	25
S11990	10.5T8/LED/48-840/BP/USA	4000	1700	25
S11991	10.5T8/LED/48-850/BP/USA	5000	1700	25
S11992	14T8/LED/48-830/BP/USA	3000	1700	25
S11993	14T8/LED/48-835/BP/USA	3500	1700	25
S11994	14T8/LED/48-840/BP/USA	4000	1800	25
S11995	14T8/LED/48-850/BP/USA	5000	1800	25
S11996	17T8/LED/48-830/BP/USA	3000	2100	25
S11997	17T8/LED/48-835/BP/USA	3500	2100	25
S11998	17T8/LED/48-840/BP/USA	4000	2200	25
S11999	17T8/LED/48-850/BP/USA	5000	2200	25

*Single ended wiring requires non-shunted sockets.



HIGH-END SOLUTIONS FOR FILM

Since the age of LEDs, incandescent and halogen bulbs have become more obsolete. However, in the film industry, these lights still play a strong role when it comes to illuminating scenes.

A Movie & Film Sector in greater Vancouver needed just this! High-end incandescent bulbs give off a true tungsten glow—for this particular film, color temperature was the highest priority.

SATCO® strives to provide a high level of lighting to meet every customer's needs. "Tungsten lights give a real natural and warm feel to the set and to the story that is being told." Although LEDs lead the way in the industry, the traditional technology still holds true for certain lighting tricks in the film industry.



WHETHER
PRODUCING A
FEATURE FILM
OR HOME MOVIE,
SATCO® IS YOUR
SOURCE FOR
LEGACY
PRODUCTS!



RELIABLE IN TIMES OF NEED

Therefore, time after time the director of photography and lighting departments resort to going back to using tungsten. The build quality of SATCO|NUVO fixtures encourage our customers to continually look for our reliability in times of need.

From our high standards in manufacturing to our solution-based ingenuity, SATCO® demonstrates a commitment to our customer delivering on product, promise, and partnership.



POPULAR LEGACY LIGHTING CHOICES IN THE FILM INDUSTRY



S4340

PAR46 with 200W
Sealed Beam



S4811

PAR56 with
300W Sealed Beam



S4672

PAR64 with
1000W Sealed Beam

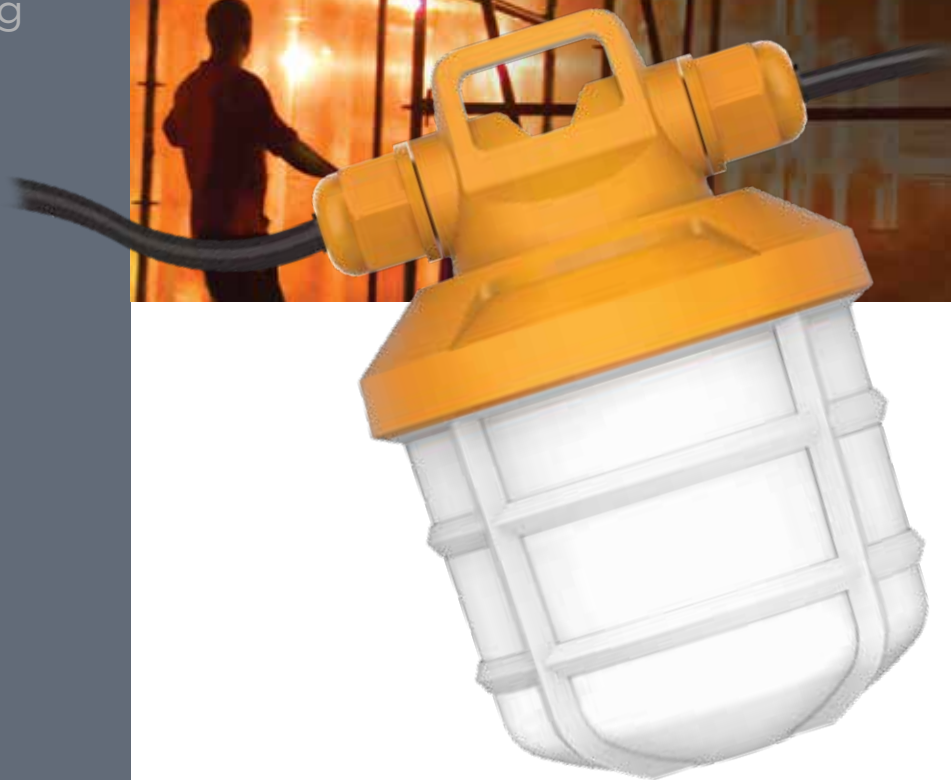


ELECTRICAL

Accessories for homes and job sites that make your environment more enjoyable and functional, indoors or out.

Construction Site and Outdoor Area Lighting

Versatile, high efficiency, high-lumen LED lighting
Easy installation, portable and safe
Lightweight



ITEM #	DESCRIPTION	W	V	CRI	CCT	BASE TYPE	LM	PK
S28976	50W/LED/5Pc/Temp/String/120V	50	120	85	5000	2 Prong Plug	6000	4

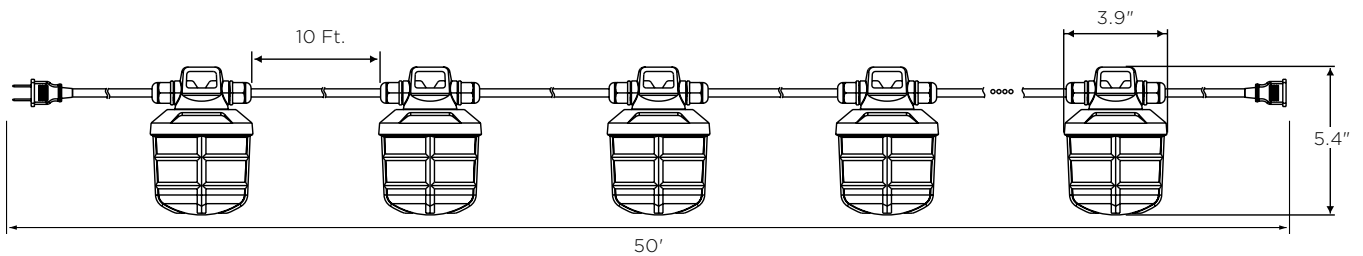




Features

For use in any commercial work area
 5 Lights per string
 50 Watt/6000 Lumens per string
 10 ft. between lights
 Linkable up to 6 sets

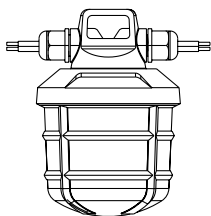
Replaces HID, CFL and Incandescent
 360° Omni-directional light
 Portable/plug-in, 120V
 IP65—Water and dust proof
 18 AWG cable



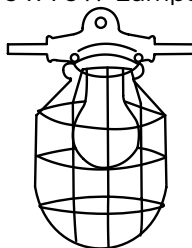
5 x 10W Lamps

Replace

5 x 75W Lamps

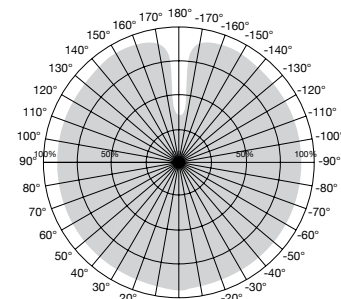


Total 50W



Total 375W

Beam Profile/Lamp



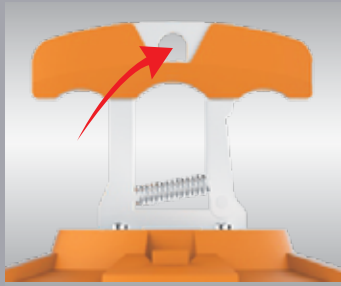
360° Illumination

WORKLIGHT SERIES BUILT TO WORK ON THE JOB LONGER, HARDER, BRIGHTER THAN EVER!



Linkable for longer runs
from one power supply
6 foot cord included.

ITEM #	DESCRIPTION	W	V	CRI	CCT	LM	PK
S38939	60W/LED/HID/TEMP/5K/120V	60	120	85	5000	6000	4
S38946	100W/LED/HID/TEMP/5K/120V	100	120	85	5000	10000	4
S38975	150W/LED/HID/TEMP/5K/120V	150	120	85	5000	15000	4



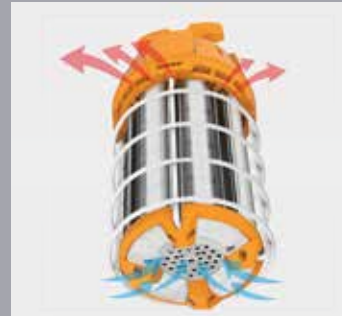
Center hole and T-Bar handle with trigger allows for secure installations from a carabiner hook and even light distribution



Warning light to show 277V input, preventing misuse of the connecting outlet



Improved durability of the protective cage



Enhanced passive heat sink design

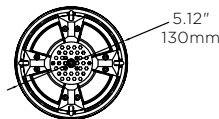
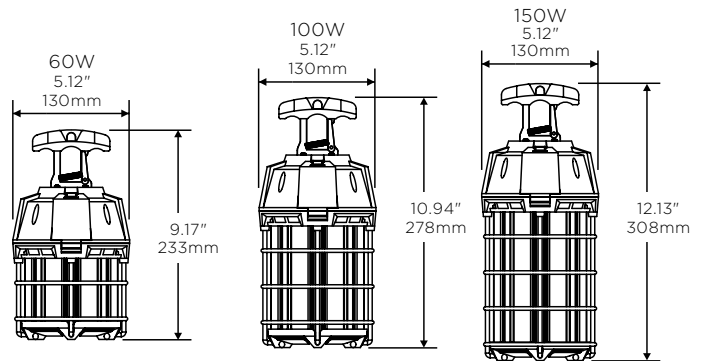
Durable, Lightweight with High Impact Cage

Energy-Efficient, High Lumen LED Lighting

Omni-Directional 360° Beam Angle

Grounded 3-Prong Plug

T-Handle for Mounting



600W max linked units:
60W x 10 pcs. max
100W x 6 pcs. max
150W x 4 pcs. max

#16/3 Ga. SJTW-3 Orange Outdoor Extension Cords

Satco carries a full line of #16/3 Ga. outdoor extension cords, rugged enough for any job site. See catalog SA1700 or go to www.satco.com for details.

Item	Length	Item	Length
93-5034	8 ft.	93-5006	50 ft.
93-5035	15 ft.	93-5007	100 ft.
93-5005	25 ft.		

For pricing, see page 72.





EVENINGS BECOME SPECIAL UNDER A WARM, SOFT GLOW.

24ft. Durable Outdoor LED String Lights

- Includes 12 vintage style LED bulbs
- Can link up to 30 strings (720ft.)
- Easy to install
- Transforms decks, porches, and patios
- Perfect for entertaining and parties

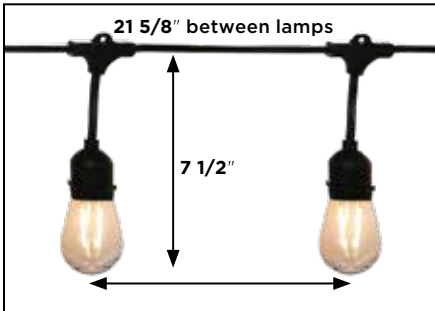


**24 Ft
12-Light LED String Set**



12 Vintage-Style Lamps Included





ITEM #	DESCRIPTION	W	V	CRI	CCT	LM	PK
LED DECORATIVE STRING LIGHTS							
S8020	24' INDOOR / OUTDOOR - BLACK	12 (1 x 12)	120	>80	2700K	1200 (100 x 12)	4
LED STRING LIGHT REPLACEMENT LAMPS							
S8021	1W S14 REPLACEMENT LAMPS - 4PK/CLEAR	1	120	>80	2700K	100	24-4pks
S8022	1W/LED/S14/RED/120V/ND/4PK	1	120		RED		24-4pks
S8023	1W/LED/S14/BLUE/120V/ND/4PK	1	120		BLUE		24-4pks
S8024	1W/LED/S14/GREEN/120V/ND/4PK	1	120		GREEN		24-4pks
S8025	1W/LED/S14/YELLOW/120V/ND/4PK	1	120		YELLOW		24-4pks
S8026	1W/LED/S14/ORANGE/120V/ND/4PK	1	120		ORANGE		24-4pks



**PUTTING
POWER WHERE
YOU NEED IT**



**ORANGE OUTDOOR
LIGHT DUTY
EXTENSION CORDS**

16-3 SJTW-3 Orange Cord

- 93-5034 - 8 FT.
13A/125V - 1625W
- 93-5035 - 15 FT.
13A/125V - 1625W
- 93-5005 - 25 FT.
13A/125V - 1625W
- 93-5006 - 50 FT.
13A/125V - 1625W
- 93-5007 - 100 FT.
10A/125V - 1250W

OUTDOOR



**3 OUTLET OUTDOOR
EXTENSION CORD**

12/3 GA. STW Orange Cord

- 93-5030 - 2 FT.
15A/125V - 1875W



**HEAVY DUTY
GREEN OUTDOOR
EXTENSION CORD**

16-3 SJTW Green Cord

- 93-5024 - 25 FT.
13A/125V - 1625W
- 93-5025 - 50 FT.
13A/125V - 1625W
- 93-5026 - 80 FT.
10A/125V - 1250W

3 OUTLET INDOOR EXTENSION CORDS

16/2 SPT2
13A / 125V / 1625W

93-192	6 FT. WHITE
93-193	6 FT. BROWN
93-5020	6 FT. GREEN
93-194	9 FT. WHITE
93-195	9 FT. BROWN
93-5021	9 FT. GREEN
93-196	12 FT. WHITE
93-197	12 FT. BROWN
93-5022	12 FT. GREEN
93-198	15 FT. WHITE
93-199	15 FT. BROWN
93-5023	15 FT. GREEN

3 OUTLET INDOOR EXTENSION CORDS

16/3 SJT
13A / 125V / 1625W

- 3 Grounded Outlets
- 16/3 SJT Round Wire
- 3 Prong Plug
- Super Flexible
- Durable Plastic

93-5044	6 FT. BROWN
93-5045	6 FT. WHITE
93-5046	9 FT. BROWN
93-5047	9 FT. WHITE
93-5048	12 FT. BROWN
93-5049	12 FT. WHITE

HIDE-A-CORD

40" LENGTH - WHITE
S70-826



INDOOR



LED PLASTIC FLOOD LITE WITH STAKE FOR OUTDOOR USE

18/2 SJTW

- 3.5 Watts
- 6 Ft. Green Cord
- Moulded Plug
- 200 Lumens
- 180° Rotation
- High Brightness LEDs

93-505

POWER STRIP SOLUTIONS

HEAVY DUTY PLASTIC SURGE POWER STRIP 3000 JOULES

- Indoor Use
- 15A/120V/60Hz
- Ground Protect Light
- Built In Circuit Breaker
- LED Indicator
- 2 USB Ports 2.1A For Charging
- 2 Coax Cable Protection
- Safety Covers



ITEM #	WIRE TYPE	JOULES	COLOR	LENGTH
91-234	14/3 SJT BLACK	3000	BLACK	6 FT.

6 OUTLET METAL SURGE POWER STRIP 300 JOULES

- Indoor Use
- 15A-120V-1875W
- Straight Plug
- Lighted On-Off w/Built-in Circuit Breaker
- Surge Indicator Light
- 1 Adapter Receptable



ITEM #	WIRE TYPE	JOULES	COLOR	LENGTH
91-232	14/3 SJT	300	BEIGE	6 FT.



6 OUTLET METAL SURGE PROTECTOR

91-235
 BEIGE 6 OUTLET SURGE STRIP
 6 FT. 14/3 SJT WITH STRAIGHT PLUG
 LIGHTED ON-OFF SWITCH W/ CIRCUIT BREAKER
 SURGE INDICATOR LIGHT
 1 ADAPTER RECEPTACLE
 1200 JOULES
 15A-120V
 1875W



6 OUTLET SURGE PROTECTOR

91-229
 WHITE 6 OUTLET SURGE STRIP
 INDOOR USE ONLY
 6 FT. 14/3 SJT WITH FLAT PLUG
 245 JOULES
 15A-125V
 1875W



6 OUTLET SURGE PROTECTOR WITH USB CHARGER

91-231
 WHITE 6 OUTLET SURGE STRIP
 INDOOR USE ONLY
 6 FT. 14/3 SJT WITH STRAIGHT PLUG
 900 JOULES
 15A-120V
 1875W



SATCO'S LIBRARY

Satco|Nuvo catalogs, available in online and in print, provide a comprehensive guide to all of our current product.



SATCO LED LAMP REFERENCE GUIDE (SA2000-4)



SATCO LED FIXTURE REFERENCE GUIDE (NU1600)



SATCO LAMP SPECIFICATION GUIDE (SA2100-2)



SATCO STARFISH SMART LIGHTING CATALOG (SA2750)



COUNTERQUICK LED UNDERCABINET CATALOG (NU1687)



NUVO LIGHTING "IMAGINE" CATALOG (NU1550)



NUVO LIGHTING 2019 CATALOG (NU4050)



NUVO LIGHTING INSPIRATIONS SUPPLEMENT (NU1400)



NUVO LIGHTING REFLECTIONS SUPPLEMENT (NU1450)

TRAINING WITH BOB



SATCO|NUVO offers lighting solutions that answer various challenges across a wide range of projects and market segments. Our product lines are constantly evolving to incorporate the newest technology, integrate controls, meet energy codes, field needs and much more.

SATCO's education director, Bob Nigrello takes you through several training videos to help guide you through everything from lighting basics to fixture layouts. These videos can be viewed on our youtube page in our "Training with Bob" playlist section.

SATCO | NUVO

Lighting Basics – Lesson 1
Shapes, Size, Bases
Lumens, Watts
Color Temperature
Color Rendering Index CRI
Quiz

0:00 / 31:06

SHARE SAVE DESCRIPTION ...

SATCO PRODUCTS / NUVO LIGHTING

SUBSCRIBED



SCAN TO
WATCH
TRAINING
WITH BOB!

TRENDING SOLUTIONS FOR COLLECTIVE BUILDS

Multi-Family Lighting for Today

NUVO lighting, a division of SATCO, is one of the largest decorative lighting brands in America. It evolved from Satco's venerable understanding of the light source, how it sets the mood and helps creates the space.

With quality, value and style, NUVO provides beautiful, on-trend fixtures to the market at a competitive price.

Growing our business on our solid reputation for over 15 years, NUVO has one of the largest decorative fixture offerings in the lighting industry, with a vast selection of style and designs for nearly every application. This years decorative lines cover styles from mid-century modern to transitional designs and timeless classics.

60-7521



60-7468



60-7497



60-7422



NUVO®

MODERN CLASSIC STYLES



NEW STYLES AVAILABLE

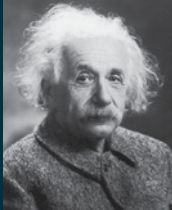
Other Styles & Sizes Available at SATCO.com



DECORATIVE

Introducing **Imagine**

NUVO's most recent introduction of fashion lighting products.



I am enough of an artist to draw freely upon my imagination. Imagination is more important than knowledge. Knowledge is limited. Imagination encircles the world.
-Albert Einstein

When we allow our imaginations the freedom to create and design without limitation, the results are amazing. Our new **Imagine** collection is just that — Amazing.

The design focus for **Imagine** was all about simplicity with style. Each piece in this collection features clean lines which deliver a modern interpretation of several classic design concepts.

Featured in this edition of AWARE are just a few of the more than 170 designs in this collection. Scan the QR code on page 79 to download the complete **Imagine** catalog and see additional styles and other sizes of items featured in this section.

As an added bonus, all **Imagine** items featured in this section are on SALE!



60-7410
MINI PENDANT

1 LT MINI PENDANT
W:7"
60-7408
MATTE BLACK

1 LT MINI PENDANT
W:7"
60-7409
MATTE WHITE

1 LT MINI PENDANT
W:7"
60-7410
CLEAR GLASS

DOVER

PENDANT, FLUSH MOUNT & SCONCE

Dover's simple, stately wide brim shade in matte or glass, finished with a graceful ribbon of vintage brass trim. A timeless classic.



60-7421
FLUSH



3 LT LARGE FLUSH
W:20" H:8¾"
60-7420
MATTE BLACK

3 LT LARGE FLUSH
W:20" H:8¾"
60-7421
MATTE WHITE

3 LT LARGE FLUSH
W:20" H:8¾"
60-7422
CLEAR GLASS

60-7445
SCONCE



1 LT SCONCE
60-7445
MATTE BLACK
60-7446
MATTE WHITE
60-7449
CLEAR GLASS
DIMENSIONS:
W:7" H:19" Ext. 9¼"

FINISH

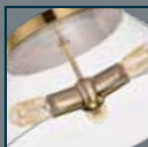
Matte White
Vintage
Brass



Matte Black
Vintage
Brass



Clear Glass
Vintage
Brass



PHOENIX

PENDANT & SCONCE

Curved and teardrop in silhouette, Phoenix's soft matte finish with polished white interior offers maximum light reflection. Accented by a long decorative metal collar, Phoenix glows.



60-7509
SCONCE



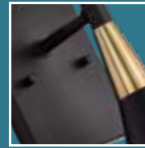
60-7507
SCONCE

FINISH

Matte White
Burnished
Brass



Matte Black
Burnished
Brass



Matte Black
Polished
Nickel



1 LT SCONCE

60-7507
BURNISHED BRASS/
MATTE BLACK

1 LT SCONCE

60-7508
POLISHED NICKEL/
MATTE BLACK

1 LT SCONCE

60-7509
BURNISHED BRASS/
MATTE WHITE

DIMENSIONS:

W: 7" H:11½" Ext:7½"

PHOENIX



**MODERN
CONTEMPORARY**

60-7513
PENDANT

1 LT MED. PENDANT
60-7513

POLISHED NICKEL/
MATTE BLACK

1 LT MED. PENDANT
60-7514

BURNISHED BRASS/
MATTE BLACK

1 LT MED. PENDANT
60-7515

BURNISHED BRASS/
MATTE WHITE

DIMENSIONS:

W: 14 $\frac{1}{8}$ " H:14" Ext:7 $\frac{1}{2}$ "

**SEE MORE DESIGNS
LIKE THESE AT
SATCO.COM**

1 LT LG. PENDANT
60-7476
BURNISHED BRASS/
MATTE BLACK

1 LT LG. PENDANT
60-7477
BURNISHED BRASS/
MATTE WHITE

1 LT LG. PENDANT
60-7478
POLISHED NICKEL/
MATTE BLACK

DIMENSIONS:
W: 15" H:20 1/8"

60-7478
PENDANT



60-7468
SCONCE

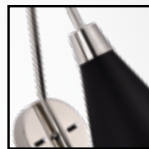


FINISH

Matte Black
Burnished
Brass



Matte Black
Polished
Nickel



Matte White
Burnished
Brass



**HARDWIRE
OR
PLUG-IN**

**ON/OFF
SWITCH**

1 LT SCONCE
60-7467
BURNISHED BRASS/
MATTE BLACK

1 LT SCONCE
60-7468
BURNISHED BRASS/
MATTE WHITE

1 LT SCONCE
60-7469
POLISHED NICKEL/
MATTE BLACK
DIMENSIONS:
W: 6 1/4" H:14" Ext. 10"

TANGO

PENDANT & SCONCE

Laser-cut into a soft asymmetrical wave, Tango proves that simple style doesn't have to be boring. The soft matte finish is complimented by beautiful metal accents, simple sophistication and versatility.

COLONY

PENDANT & SEMI-FLUSH

The mid-century modern, wide loft shade pan, reflects the light from the down facing lamp and is elegantly offset by the hints of chic metal accents.

1 LT MED. PENDANT
60-7483
BURNISHED BRASS/
MATTE WHITE

1 LT MED. PENDANT
60-7484
BURNISHED BRASS/
MATTE BLACK

1 LT MED. PENDANT
60-7485
POLISHED NICKEL/
MATTE BLACK

DIMENSIONS:
W: 19 $\frac{7}{8}$ " H:8 $\frac{1}{8}$ "

60-7483
PENDANT

60-7498
SEMI-FLUSH

**MID-CENTURY
MODERN**

1 LT LG. SEMI-FLUSH
60-7496
BURNISHED BRASS/
MATTE WHITE

1 LT LG. SEMI-FLUSH
60-7497
BURNISHED BRASS/
MATTE BLACK

1 LT LG. SEMI-FLUSH
60-7498
POLISHED NICKEL/
MATTE BLACK

DIMENSIONS: W: 24" H:7 $\frac{5}{8}$ "

FINISH

Matte White
Burnished
Brass

Matte Black
Burnished
Brass

Matte Black
Polished
Nickel



1 LT LG PENDANT
60-7462
W:24" H:7½"
BURNISHED BRASS/
MATTE BLACK

1 LT LG PENDANT
60-7465
W:24" H:7½"
BURNISHED BRASS/
MATTE WHITE

60-7465
1 LT LG PENDANT

60-7458
SCONCE

FINISH

Matte White
Burnished
Brass

Matte Black
Burnished
Brass



1 LT SCONCE
60-7458
BURNISHED BRASS/
MATTE BLACK

1 LT SCONCE
60-7459
BURNISHED BRASS/
MATTE WHITE

DIMENSIONS:
W: 7" H:11½" Ext. 7⅞"

PERKINS

PENDANT & SCONCE

The flared top of Perkins adds a lovely nuance to the soft retro-modern dome. Cinched with a brushed brass band, the gloss white interior provides maximum light reflection.

OUTPOST

PENDANTS & SCONCE

Open, airy and full of charm, Outpost marries tradition with accents. Rich matte shades are suspended by burnished brass slim rods, showcasing the decorative fixture with a slight peek of the bulb.



60-7519
SCONCE

1 LT SCONCE
60-7519
BURNISHED BRASS/
MATTE BLACK

1 LT SCONCE
60-7520
BURNISHED BRASS/
MATTE WHITE

DIMENSIONS:
W: 7" H:9³/₄" Ext. 7³/₄"



60-7524
PENDANT



60-7523
PENDANT

1 LT MED PENDANT
60-7523
BURNISHED BRASS/
MATTE BLACK

1 LT MED PENDANT
60-7524
BURNISHED BRASS/
MATTE WHITE

DIMENSIONS:
W: 13" H:10⁵/₈"

FINISH

Matte White
Burnished
Brass

Matte Black
Burnished
Brass




SEE MORE DESIGNS
AT SATCO.COM

CROSSROADS

PENDANT, SEMI-FLUSH & VANITY

Crossroad's clear floating glass panels fully showcase and expose the bulbs, set in a simple frame of mixed metals; matte black surrounded by brushed nickel. A quintessential contemporary design for today's home.




4 LT FOYER PENDANT
60-7659
W:14 $\frac{3}{4}$ " H:14 $\frac{3}{4}$ " Ext. 23 $\frac{1}{4}$ "
BRUSHED NICKEL/
MATTE BLACK



3 LT VANITY
60-7653
W:23" H:9" Ext. 6 $\frac{1}{4}$ "
BRUSHED NICKEL/
MATTE BLACK

FINISH

Matte Black
Brushed
Nickel



1 LT MINI-PENDANT
60-7650
W:5 $\frac{1}{8}$ " H:3 $\frac{3}{4}$ "
BRUSHED NICKEL/
MATTE BLACK

TRILBY

SCONCE

Trilby wall light adjustable swing arm lamp is mid-century modern in motion, with its half-bowl matte finished shade and bended arm mimicking nature, its reflective interior lining is ideal for maximizing light output.



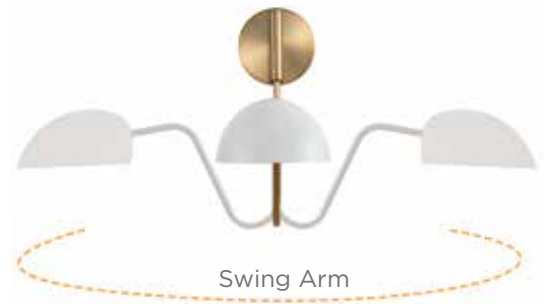
2 LT SWING ARM
SCONCE
60-7394
W:37½" H:26¼" Ext. 20¾"
BURNISHED BRASS/
MATTE WHITE



1 LT SWING ARM
SCONCE
60-7391
BURNISHED BRASS/
MATTE BLACK
60-7392
BURNISHED BRASS
MATTE WHITE
DIMENSIONS:
W: 5⅝" H:16" Ext. 20½"



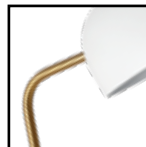
2 LT SWING ARM SCONCE
60-7393
W:37½" H:26¼" Ext. 20¾"
BURNISHED BRASS/
MATTE BLACK



FINISH

Matte White
Burnished
Brass

Matte Black
Burnished
Brass



**ON-TREND
DESIGNS**



INTERSECTION

PENDANTS, CHANDELIERS, FLUSH MOUNTS & VANITIES

Modern and industrial chic, the minimalistic design of Intersection showcases the bulb in a rich, yet contemporary design that pairs superbly with existing fixtures.



3 LT FLUSH
60-7538
BURNISHED BRASS
60-7638
POLISHED NICKEL

DIMENSIONS:
W: 5 $\frac{5}{8}$ " H:16" Ext. 20 $\frac{1}{2}$ "



2 LT VANITY
60-7532
BURNISHED BRASS
60-7632
POLISHED NICKEL

DIMENSIONS:
W: 15" H:8 $\frac{1}{2}$ " Ext. 5 $\frac{3}{8}$ "

MORE STYLES AVAILABLE AT SATCO.COM



3 LT PENDANT
60-7530
BURNISHED BRASS
60-7630
POLISHED NICKEL

DIMENSIONS:
W: 17" H:17"



1 LT MINI PENDANT
60-7529
BURNISHED BRASS
60-7629
POLISHED NICKEL

DIMENSIONS:
W:3½" H:8½"

5 LT CHANDELIER
60-7535
BURNISHED BRASS
60-7635
POLISHED NICKEL

DIMENSIONS:
W: 24" H:18⅞"



FINISH
Burnished
Brass



Polished
Nickel



SWING ARM

WALL LAMP

FULTON



1 LT SWING ARM

60-7364

BURNISHED BRASS

60-7365

POLISHED NICKEL

60-7366

MATTE BLACK

DIMENSIONS:

W:6" H:8 $\frac{3}{8}$ " Ext. 24 $\frac{1}{8}$ "



DELANCEY

1 LT SWING ARM
60-7361
 BURNISHED BRASS
60-7362
 POLISHED NICKEL
60-7363
 MATTE BLACK
 DIMENSIONS:
 W:8" H:10⁵/₈" Ext. 28³/₄"



BAYARD

1 LT SWING ARM
60-7367
 BURNISHED BRASS
60-7368
 POLISHED NICKEL
60-7369
 MATTE BLACK
 DIMENSIONS:
 W:6" H:13¹/₈" Ext. 26¹/₄"

**HARDWIRE
 OR
 PLUG-IN**

**ON/OFF
 SWITCH**

FINISH

Burnished
 Brass



Matte
 Black



Polished
 Nickel



Fixtures can be wall or ceiling mounted. Rotary On/Off switch and 2 matching wire covers included (18" total length).

VERNAL

**MATTE BLACK/
WATER WAVE GLASS**

OUTDOOR

The Vernal outdoor wall lantern offers a transitional twist on traditional design. The simple black finish of the back plate extends to the strap to embrace a clear restoration glass styled box showcasing the bulb beautifully, particularly when purchased with a vintage-style lamp. Your home's exterior will make quite a statement with these beautiful all-weather fixtures.



1 LT MED. WALL
LANTERN
W:6¼" H:12½" Ext. 7½"
60-7355
MATTE BLACK

1 LT LG. WALL
LANTERN
W:8" H:15½" Ext. 9¼"
60-7356
MATTE BLACK

**MODERN
CONTEMPORARY**



SULLIVAN

**MATTE BLACK/
CLEAR SEEDED GLASS**

OUTDOOR

The simplicity of Sullivan's sleek and minimal matte black frame showcases the high quality of the seeded clear glass housing. When lit, the union of the two offers a subtle diffusion of light heightening the style of this versatile fixture.

1 LT MED. WALL
LANTERN
W:7½" H:13¼" Ext. 6½"
60-7375
MATTE BLACK

1 LT LG. WALL
LANTERN
W:9" H:15¾" Ext. 7½"
60-7376
MATTE BLACK

CORNING

MATTE BLACK/CLEAR GLASS

OUTDOOR

Understated and timeless, the traditional carriage-like appearance of Corning is enhanced by its large glass panes and deep black finish.

MODERN
CONTEMPORARY



1 LT MED. WALL
LANTERN
W:6" H:15 $\frac{3}{4}$ " Ext. 7 $\frac{1}{4}$ "
60-7371
MATTE BLACK

1 LT LG. WALL
LANTERN
W:8" H:20" Ext. 9 $\frac{3}{4}$ "
60-7372
MATTE BLACK

BRACER

MATTE BLACK/CLEAR GLASS

OUTDOOR

A thick arched band tops the Bracer lantern's flat circular cap and clear cylinder glass in matte black simplicity. The perfect curve is echoed in a decorative wide band at the base of the glass shade for a perfect finish to this vintage modern fixture.



1 LT SM. WALL
LANTERN
W:5½" H:11⅞" Ext. 6¾"
60-7640
MATTE BLACK

1 LT MED. WALL
LANTERN
W:7½" H:13¾" Ext. 8⅝"
60-7641
MATTE BLACK

1 LT LG. WALL
LANTERN
W:9½" H:15⅞" Ext. 10⅝"
60-7642
MATTE BLACK

PORTAL LED

**MATTE BLACK/
WHITE OPAL GLASS**

OUTDOOR - INTEGRATED LED

Soft, stylish and modern, the perfect orb of Portal appears to float within the broad rectangular decorative backplate of the fixture as a single bar spans the length just in front, providing intriguing contemporary decor and illumination.



1 LT MED. WALL
LANTERN
6W/550 LUMENS
3000K/90CRI
W:5¾" H:14" Ext. 6½"
62-1609
MATTE BLACK

1 LT LG. WALL
LANTERN
6W/550 LUMENS
3000K/90CRI
W:7¼" H:18" Ext. 8¼"
62-1610
MATTE BLACK



1 LT MED. WALL
LANTERN
6W/550 LUMENS
3000K/90CRI
W:6" H:12" Ext. 5¾"
62-1619
MATTE BLACK

1 LT LG. WALL
LANTERN
6W/550 LUMENS
3000K/90CRI
W:7¾" H:15" Ext. 7½"
62-1620
MATTE BLACK



**OUTDOOR
MODERN**

CRADLE LED

**MATTE BLACK/
WHITE OPAL GLASS**

OUTDOOR - INTEGRATED LED

The contemporary-modern design of the Cradle wall lantern makes a unique impression. Saddled in a long scoop, the perfect orb of opal white glass houses the integrated LED light source, for soft and stylish illumination.

ATMOSPHERE LED

MATTE BLACK / CLEAR SEEDED OR WHITE OPAL GLASS

OUTDOOR - INTEGRATED LED

Atmosphere makes a huge impact with its minimalistic design. A sphere of black finished metal and clear seeded glass houses the integrated LED, held out by a single arm that extends and curves downward to perfectly present the simple aesthetic.

1 LT MED. WALL
LANTERN
6W/550 LUMENS
3000K/90CRI
W:8" H:13" Ext. 9½"
62-1615
MATTE BLACK/
OPAL GLASS

1 LT LG. WALL
LANTERN
10W/900 LUMENS
3000K/90CRI
W:10" H:16½" Ext. 11½"
62-1617
MATTE BLACK/
OPAL GLASS

1 LT MED. WALL
LANTERN
6W/550 LUMENS
3000K/90CRI
W:8" H:13" Ext. 9½"
62-1616
MATTE BLACK/
SEEDED GLASS

1 LT LG. WALL
LANTERN
10W/900 LUMENS
3000K/90CRI
W:10" H:16½" Ext. 11½"
62-1618
MATTE BLACK/
SEEDED GLASS

FINISH

Matte Black
White Opal Glass

Matte Black
Seeded Glass



OVERTOP LED

MATTE BLACK / SILVER SHADE

OUTDOOR - INTEGRATED LED

The fashionable, cylindrical silver metal and inner frosted shades support the LED light source of the Overtop wall lantern. Presented by an elegant single arm that extends from a broad back plate, Overtop is simplicity with a touch of glam.



1 LT MED. WALL
LANTERN
10W/900 LUMENS
3000K/90CRI
W:6" H:15" Ext. 6¾"
62-1607
MATTE BLACK/
SILVER

1 LT LG. WALL
LANTERN
10W/900 LUMENS
3000K/90CRI
W:8½" H:21½" Ext. 9½"
62-1608
MATTE BLACK/
SILVER

CONTINUUM LED

MATTE BLACK

OUTDOOR - INTEGRATED LED

Continuum's structure, with slender lines that support cylindrical columns and the LED light source, offers a modern and unique visual on as well as off. The fixture illuminates both up and down adding an element of interest to the design of simple, clean lines.

SMALL WALL
LANTERN
10W/900 LUMENS
3000K/90CRI
W:5½" H:14" Ext. 6"
62-1650
MATTE BLACK

MEDIUM WALL
LANTERN
15W/1350 LUMENS
3000K/90CRI
W:6¾" H:17" Ext. 7¼"
62-1651
MATTE BLACK



SUPREME LED

MATTE BLACK

OUTDOOR - INTEGRATED LED

Supreme LED wall lantern's modern styling suits contemporary design perfectly. The cube LED illuminates downward and is housed in a matte black rectangular frame. When lit, the light source adds additional visual interest and intrigue.

SMALL WALL
LANTERN
10W/900 LUMENS
3000K/90CRI
W:4 $\frac{7}{8}$ " H:11" Ext. 4 $\frac{1}{4}$ "
62-1653
MATTE BLACK

MEDIUM WALL
LANTERN
18W/1600 LUMENS
3000K/90CRI
W:5 $\frac{3}{8}$ " H:13" Ext. 5 $\frac{3}{8}$ "
62-1654
MATTE BLACK

LARGE WALL
LANTERN
18W/1600 LUMENS
3000K/90CRI
W:6 $\frac{7}{8}$ " H:17" Ext. 6 $\frac{3}{4}$ "
62-1655
MATTE BLACK



DISTRIBUTION CENTERS

New York (Headquarters)

110 Heartland Blvd., Brentwood, NY 11717

Tel. 631-243-2022, Fax: 631-243-2027

Texas

2000 Valwood Parkway, Farmers Branch, TX 75234

Tel. 972-247-2437, Fax: 972-247-5408

Florida

900 N.W. 159th Drive, Miami, FL 33169

Tel. 305-624-2044, Fax: 305-623-0286

California

31288 San Benito Street, Hayward, CA 94544

Tel. 510-487-4822, Fax: 510-487-8955

Washington

4710 116th S.W., Mukilteo, WA 98275

Tel. 425-789-3300, Fax: 425-789-3310

Puerto Rico

Campeche Street. 23 Julio

N. Matos Industrial Park, Carolina, PR 00984

Tel. 787-757-3510, Fax: 787-757-3540

Canada & Mexico

Internationalsales@satco.com/631-243-2022 EXT315

National Toll Free

1-800-437-2826