



SATCO|NUVO  
**LED FIXTURE  
REFERENCE GUIDE**

SEPT. 2019  
[satco.com](http://satco.com) / [nuvolighting.com](http://nuvolighting.com)

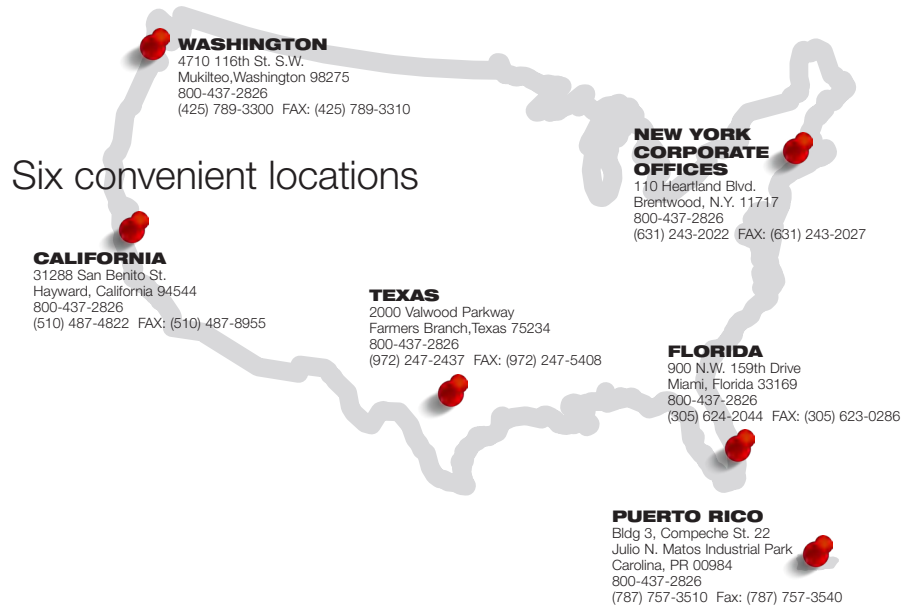


We are pleased to present the latest edition of our LED Fixture Reference Guide. Many new luminaires and accessories have been added and arranged to make finding the right product is easy.

# Brilliance

Satco is committed to providing unsurpassed quality, service and product assortment. Many of our product categories are supported by merchandising systems, displays and a selection of attention-getting point of purchase materials. These efforts, along with our strategic locations, make Satco the preferred choice in light sources, fixtures and electrical related products.

## Six convenient locations



# Contents

About Satco .....	2-5	LED Small and Large Wall Pack Lights .....	80-84
<b>LED Indoor Lighting .....</b>	<b>6-19</b>	LED Premium Wall Pack Fixtures.....	85
LED Flat Panel Fixtures.....	8-12	LED Cut Off Wall Packs and Emergency	
LED Troffer Fixtures .....	13-14	Battery Backup Wall Packs.....	86
LED Vapor Tight Surface Mount Fixtures.....	15	LED Canopy Fixtures .....	87
LED Linear Hi-Bay Fixtures .....	16-17	LED Area Light with Built-in Photocell.....	88
LED Circular Hi-Bay Fixtures.....	18-19	LED Wall Mount Carport/Parking Area Fixtures.....	89
<b>LED Flush Mount Fixtures.....</b>	<b>20-45</b>	LED Vapor Tight Wall & Ceiling Fixtures.....	90-91
Blink™ Plus LED Surface Mount Fixtures .....	22-25	LED Bulkhead Fixtures .....	92
Blink Plus Profile Surface Mount Fixtures.....	26-28	LED Up or Down Outdoor Sconces.....	93
Blink Plus LED 15" & 19" Fixtures and Suspension Kits.....	29-30	LED Up and Down Outdoor Sconces.....	94
Blink LED Round and Square Fixtures .....	31-37	<b>LED Recessed Fixtures.....</b>	<b>96-130</b>
Blink "Eco" LED Fixtures .....	38	LED Step Lights.....	96-97
Blink "Slim" LED Fixtures and Pendant Kits.....	39-40	Freedom™ Architectural LED Downlights & Retrofits.....	98-103
Blink LED Rectangular Fixtures .....	41	Freedom LED Downlight EM Battery Backup Module.....	104
Blink Battery Backup Modules.....	42-44	4", 5" & 6" LED Recessed Downlight Retrofits.....	106-108
<b>LED Indoor Utility Fixtures.....</b>	<b>46-71</b>	Quick Trim™ 4", 5"/6" LED Recessed Downlight Retrofits.....	109
LED Ceiling Wraps .....	47	4", 5" & 6" Square Trim Recessed Downlight Retrofits .....	110-111
LED Strip Fixtures .....	48	4" & 6" LED Direct Wire Edge-Lit Downlights .....	112
LED Linkable Shop Lights .....	49	8" LED Direct Wire, Edge-Lit, Round Downlights.....	113
LED Slim & Wide Strip Lights.....	50-53	4" LED Direct Wire, Back Lit Downlights.....	114
Glamour LED Flush & Linear Ceiling Fixtures .....	54-55	6" LED direct wire, back lit downlights.....	115
Glamour & Crispo LED Wall Sconces & Vanity Fixtures.....	56-57	4" LED Direct Wire, Gimbal Downlights.....	116
Link LED Fixtures .....	58	6" LED Direct Wire, Gimbal Downlights.....	117
Button Round LED Flush Fixtures.....	59	4" LED Direct Wire, Back-Lit, Square Trim Downlights.....	118
Pi LED Flush Fixtures.....	60	6" LED Direct Wire, Back-Lit, Square Trim Downlights.....	119
12" & 14" Range Voltage Operation LED Flush Fixtures .....	61	Low profile LED Edge-Lit Downlights.....	120-121
7" & 10" LED Disk Lights.....	62	Low profile LED Downlights .....	122-123
7" & 10" High Lumen LED Disk Lights .....	63	6" & 8" 3000K Commercial recessed LED downlights.....	124
11", 14" & 19" LED Flush Round Mount Fixtures		4", 6", 8" & 10" 4000K Commercial	
with or without occupancy sensor.....	64	recessed LED downlights.....	125
11" & 14" Flush Mount 0-10V Dimming Fixtures.....	65	LED Ready Recessed Can Assemblies.....	126
11" & 14" LED Flush Mount Square Fixtures		<b>LED Track Lighting.....</b>	<b>127-131</b>
with or without Occupancy Sensor.....	66	LED Track Heads.....	128-129
11" & 14" Range Voltage Operation LED Flush Fixtures.....	67	LED Track Kits & Accessories .....	130-131
14" Range Voltage Operation LED Flush Fixtures with Sensors.....	68	<b>LED Under Cabinet &amp; Cove .....</b>	<b>132-135</b>
LED Flush Mount Emergency Battery		Thread™ Linear LED System .....	132-133
Backup Ready (EMR) Fixtures .....	69-71	Thread™ Connections & Accessories.....	134-135
<b>LED Indoor/Outdoor Architectural Lighting.....</b>	<b>72-95</b>	<b>Satco Smart Home Z Wave Enabled Devices .....</b>	<b>136-141</b>
LED Dual Head Security Lights.....	73	Smart Home Gear: 86-100 Plug-In Appliance Module .....	137
LED Flood Lights.....	74	Smart Home Gear: 86-101 Plug-In Dimmer Module .....	138
LED Landscape Flood Lights.....	75	Smart Home Gear: 86-102 In-Wall Light Switch.....	139
LED Wall Pack Lights with Photocell.....	76	Smart Home Gear: 86-103 In-Wall Dimmer .....	140
LED Wall Pack Light with Photo Control .....	77	Smart Home Gear: 86-104 3-Way Auxiliary Switch.....	141
LED Wall Pack Light.....	78	<b>Item Number Index.....</b>	<b>142-145</b>
LED Arc Wall Pack Light with Photocell.....	79		



## At Satco, our business isn't about us.

Satco and Nuvo® and brands have grown to be industry leaders by offering you the widest selection of lamps, fixtures and lighting components.

### **The most innovative technology.**

The highest standards of quality and efficiency. And a reputation for service earned one customer at a time for almost 50 years.

### **Satco. Setting the standards.**

With a vast catalog of products built to the highest quality standards, massive inventories, a highly automated nationwide distribution network, and a growing investment in research and development, few lighting manufacturers can match Satco's depth of industry experience.

### **The widest selection.**

Satco keeps homes across North America lit through the thousands of retail outlets we supply with replacements lamps and consumer lighting accessories. The residential and commercial building trades rely on Satco's comprehensive line of fixtures, track and outdoor lighting and lamps, which are widely available through electrical distributors across the country.

Lighting fixture manufacturers turn to Satco Logistics for on-time shipping of thousands of component parts in orders of any size, including lamps, ballasts, sockets, switches, cords, canopies and glassware of every description.



## It's about you and your business.

The next standard in quality and efficiency.



Architectural LED lighting from Satco/NUVO.

Building codes everywhere set minimum safety standards for the lighting of virtually every structure. Nuvo LED fixtures line will certainly meet those standards, but do it more efficiently. LED lighting can save up to 80% on utility costs verses older technologies and still provide the lighting needed for offices, parking garages, warehouses and residences of all types, indoor or out.

## Over 50 years of lighting leadership

Nuvo LED fixtures are keeping venues everywhere safe and efficiently lit using the best electrical components, materials and overall fixture engineering available.







## Commercial/industrial indoor LED lighting.

Lighting larger spaces can be challenging simply due to the many different needs within one venue. That's why Nuvo has put together a well thought out product mix that offers numerous solutions. And each solution comes with the quality, efficiency and value Nuvo is known for. This combination makes lighting large industrial and commercial spaces--warehouses, retail floors, factories, loading docks, office buildings, high ceilings--easy. Now, entire venues can benefit from the lower energy costs, lower maintenance and lasting value LEDs offer.

# LED Flat Panel Fixtures

(2 packs)

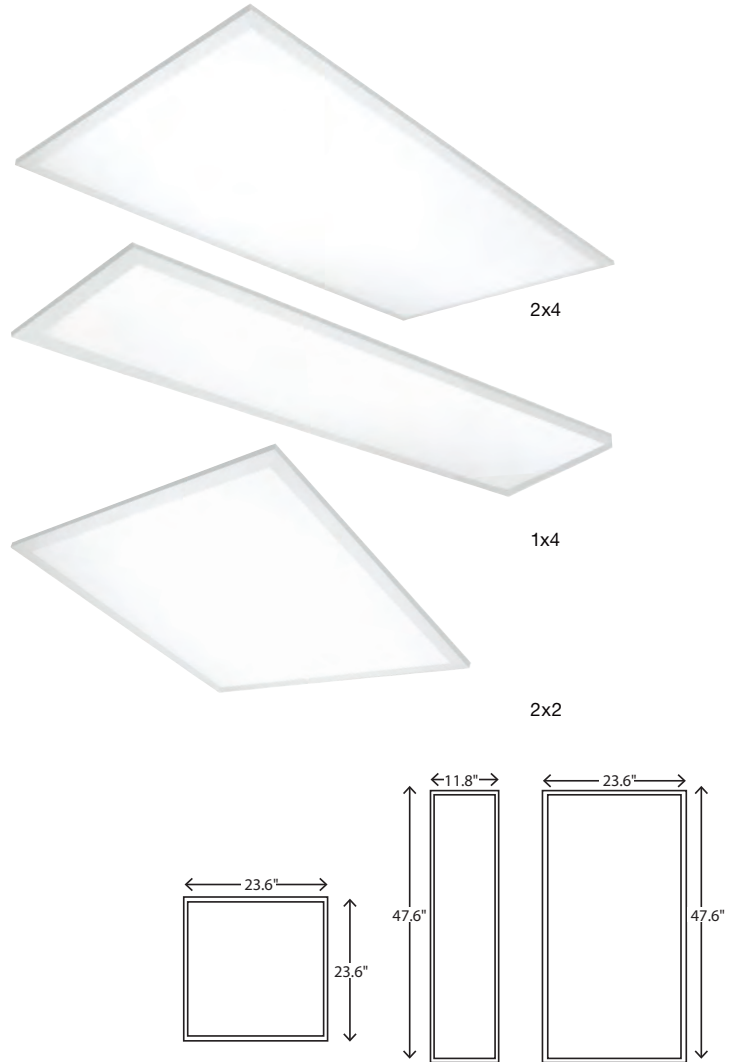
Even, consistent light.

Low maintenance.

High efficiency.

## Features

- White finish
- DLC listed
- Maintenance free—no bulb to change
- Perfect, even light distribution
- Flicker-free driver
- CRI >80
- Ultra-slim edge-lit design
- Stamped and reinforced back plate
- Rated 50,000 hours
- 0-10V dimming
- Universal input voltage—100-277V, 50/60Hz
- Recessed, surface mount and suspension kits available\*
- Certified for damp locations
- 5 year warranty



## LED Flat Panel 2 Packs



Item Number	Lamp Description	W	Voltage	CRI	CCT	Lm	Life/Hrs.	UPC	Pack
<b>2 Ft x 2 Ft. LED Flat Panel</b>									
65-321	2Ft. x 2Ft. Led Flat Panel 40 Watt	40	100-277	>80	3500K	4155	50K	045923453212	2
65-322	2Ft. x 2Ft. Led Flat Panel 40 Watt	40	100-277	>80	4000K	4194	50K	045923453229	2
65-323	2Ft. x 2Ft. Led Flat Panel 40 Watt	40	100-277	>80	5000K	4331	50K	045923453236	2
<b>1 Ft x 4 Ft. LED Flat Panel</b>									
65-339	1Ft. x 4Ft. Led Flat Panel 40 Watt	40	100-277	80	3500K	4029	50K	045923663390	2
65-340	1Ft. x 4Ft. Led Flat Panel 40 Watt	40	100-277	80	4000K	4098	50K	045923653407	2
65-341	1Ft. x 4Ft. Led Flat Panel 40 Watt	40	100-277	80	5000K	4194	50K	045923663413	2
<b>2 Ft x 4 Ft. LED Flat Panel</b>									
65-324	2Ft. x 4Ft. Led Flat Panel 50 Watt	50	100-277	>80	3500K	4906	50K	045923453243	2
65-325	2Ft. x 4Ft. Led Flat Panel 50 Watt	50	100-277	>80	4000K	4968	50K	045923453250	2
65-326	2Ft. x 4Ft. Led Flat Panel 50 Watt	50	100-277	>80	5000K	5139	50K	045923453267	2

\*Accessories pg. 12

Product sheet NU1428

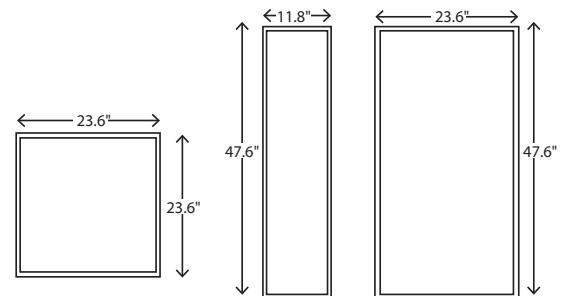
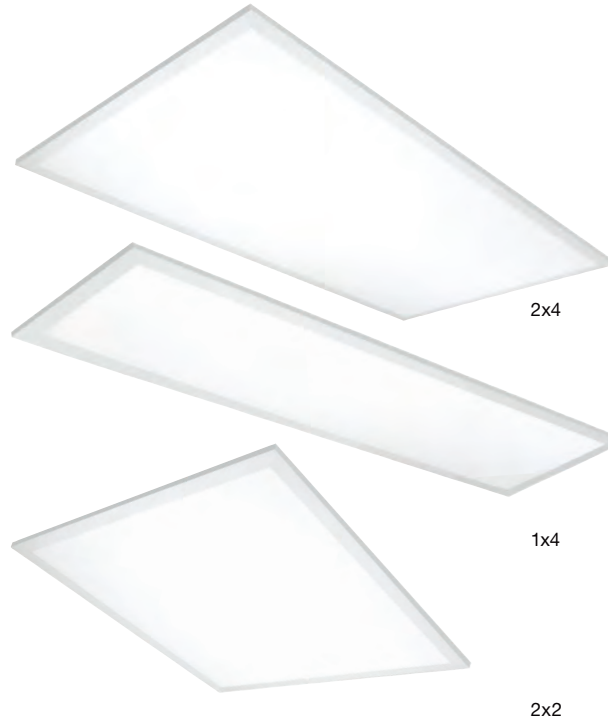


# LED Premium Flat Panel Fixtures

(2 packs)

## Features

- White finish
- DLC Premium listed
- Maintenance free—no bulb to change
- Perfect, even light distribution
- Flicker-free driver
- CRI >80
- Ultra-slim edge-lit design
- Stamped and reinforced back plate
- Rated 50,000 hours
- 0-10V Dimming
- Universal input voltage — 120-277V, 50/60Hz
- Recessed, surface mount and suspension kits available\*
- Certified for damp locations
- 5 Year warranty



## LED Premium Flat Panel 2 Packs

Item Number	Lamp Description	W	V	CRI	CCT	Lm	Life/Hrs.	UPC	Pack
<b>2 Ft x 2 Ft. LED Premium Flat Panel</b>									
65-371	2 Ft. x 2 Ft. LED Premium Flat Panel	40	120~277V	80	3500K	5000	50K	045923753718	2
65-372	2 Ft. x 2 Ft. LED Premium Flat Panel	40	120~277V	80	4000K	5200	50K	045923753725	2
65-373	2 Ft. x 2 Ft. LED Premium Flat Panel	40	120~277V	80	5000K	5200	50K	045923753732	2
<b>2 Ft x 4 Ft. LED Premium Flat Panel</b>									
65-374	2 Ft. x 4 Ft. LED Premium Flat Panel	50	120~277V	80	3500K	6250	50K	045923753749	2
65-375	2 Ft. x 4 Ft. LED Premium Flat Panel	50	120~277V	80	4000K	6500	50K	045923753756	2
65-376	2 Ft. x 4 Ft. LED Premium Flat Panel	50	120~277V	80	5000K	6500	50K	045923753763	2
<b>1 Ft x 4 Ft. LED Premium Flat Panel</b>									
65-377	1 Ft. x 4 Ft. LED Premium Flat Panel	40	120~277V	80	3500K	5000	50K	045923753749	2
65-378	1 Ft. x 4 Ft. LED Premium Flat Panel	40	120~277V	80	4000K	5200	50K	045923753756	2
65-379	1 Ft. x 4 Ft. LED Premium Flat Panel	40	120~277V	80	5000K	5200	50K	045923753763	2

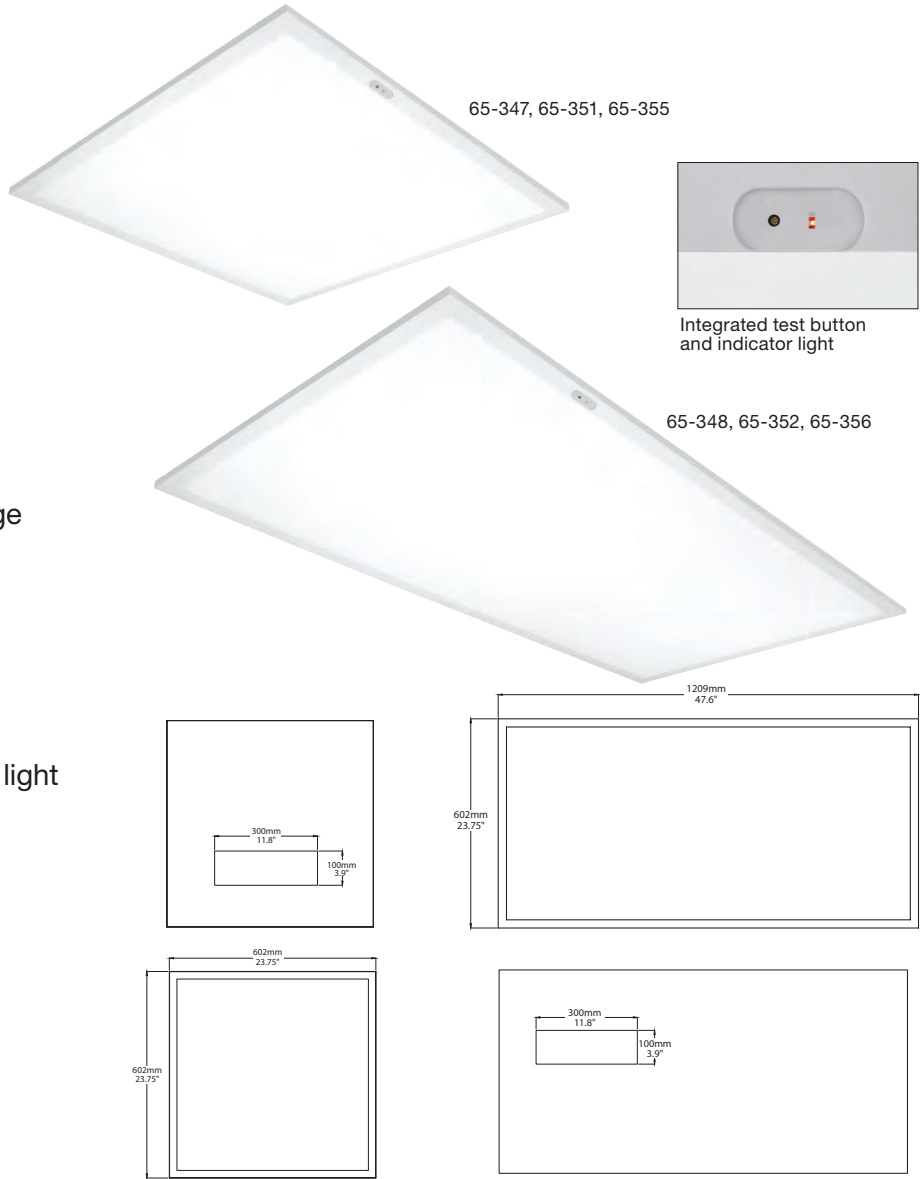
\*Accessories pg. 12

# LED Flat panel fixtures/ emergency battery backup

## Features

- White finish
- DLC listed
- Maintenance free—no bulb to change
- Perfect, even light distribution
- Flicker-free driver
- CRI >80
- 0-10V dimmable
- Ultra-slim edge-lit design
- Stamped and reinforced back plate
- Integrated test button and indicator light
- 90 Minute battery run time
- No additional wiring steps
- Rated 50,000 hours
- Universal input voltage - 100~277V, 50/60Hz
- Recessed, surface mount and suspension kits available\*
- 5 Year warranty

**Battery Power**  
8W/1000Lm



## LED Flat Panel Fixtures/ Emergency Battery Backup



Item Number	Lamp Description	W	V	CRI	CCT	Lm	Life/Hrs.	UPC
<b>2 Ft x 2 Ft. LED Flat Panel/Emergency Battery Backup</b>								
65-347	2 Ft. x 2 Ft. LED Flat Panel/Emergency Battery Backup	40	100~277V	80	3500K	4155	50K	045923653476
65-351	2 Ft. x 2 Ft. LED Flat Panel/Emergency Battery Backup	40	100~277V	80	4000K	4194	50K	045923663512
65-355	2 Ft. x 2 Ft. LED Flat Panel/Emergency Battery Backup	40	100~277V	80	5000K	4331	50K	045923673559
<b>2 Ft x 4 Ft. LED Flat Panel/Emergency Battery Backup</b>								
65-348	2 Ft. x 4 Ft. LED Flat Panel/Emergency Battery Backup	50	100~277V	80	3500K	4906	50K	045923653483
65-352	2 Ft. x 4 Ft. LED Flat Panel/Emergency Battery Backup	50	100~277V	80	4000K	4968	50K	045923663529
65-356	2 Ft. x 4 Ft. LED Flat Panel/Emergency Battery Backup	50	100~277V	80	5000K	5139	50K	045923653568

\*Accessories pg. 12

# 120-347V LED Flat Panel Fixtures

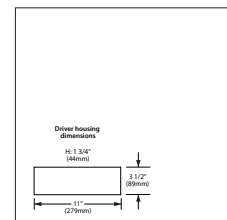
(2 packs)

## Features

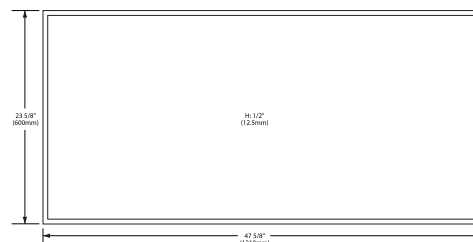
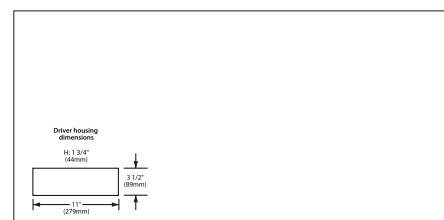
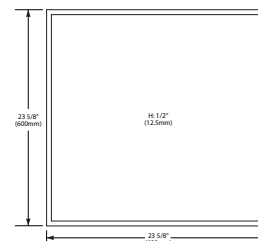
- White finish
- DLC listed
- Maintenance free—no bulb to change
- Perfect, even light distribution
- Flicker-free driver
- CRI >80
- Ultra-slim edge-lit design
- Stamped and reinforced back plate
- Rated 50,000 hours
- 0-10V Dimming
- Universal input voltage - 120~347V, 50/60Hz
- Recessed, surface mount and suspension kits available\*
- Certified for damp locations
- 5 Year warranty



65-333, 65-334, 65-335



65-336, 65-337, 65-338



## 120-347V LED Flat Panel Fixtures



Item Number	Lamp Description	W	V	CRI	CCT	Lm	Life/Hrs.	UPC	Pack
2 Ft x 2 Ft. LED Flat Panel									
65-333	2 Ft. x 2 Ft. LED Flat Panel	40	120~347V	80	3500K	4200	50K	045923453335	2
65-334	2 Ft. x 2 Ft. LED Flat Panel	40	120~347V	80	4000K	4400	50K	045923453342	2
65-335	2 Ft. x 2 Ft. LED Flat Panel	40	120~347V	80	5000K	4400	50K	045923453359	2
2 Ft x 4 Ft. LED Flat Panel									
65-336	2 Ft. x 4 Ft. LED Flat Panel	50	120~347V	80	3500K	5250	50K	045923453366	2
65-337	2 Ft. x 4 Ft. LED Flat Panel	50	120~347V	80	4000K	5500	50K	045923453373	2
65-338	2 Ft. x 4 Ft. LED Flat Panel	50	120~347V	80	5000K	5500	50K	045923453380	2

\*Accessories pg. 12



# LED Flat panel accessories

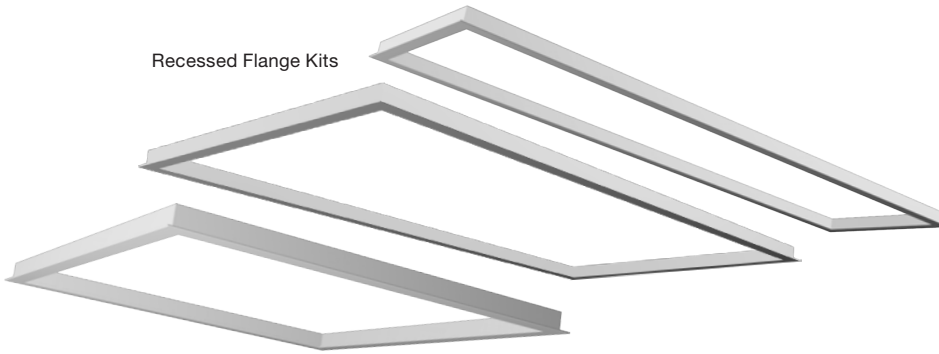
LED flat panel flush mount ceiling frame kits



LED flat panel suspension kit



Recessed Flange Kits



## LED Flat Panel Accessories

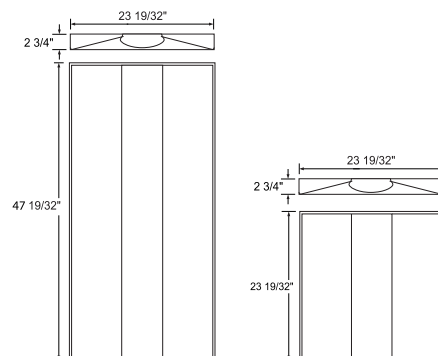
Item Number	Description	Dimensions	Finish	UPC	Pack
65-361	1' x 4' LED FLAT PANEL FRAME KIT	47 5/8" L x 11 5/8" W x 3" D	White	045923673610	10/1
65-362	2' x 2' LED FLAT PANEL FRAME KIT	23 5/8" L x 23 5/8" W x 3" D	White	045923663628	10/1
65-363	2' x 4' LED FLAT PANEL FRAME KIT	47 5/8" L x 23 5/8" W x 3" D	White	045923663635	10/1
65-364	1' x 4' RECESSED FLANGE KIT	49" L x 13" W x 1 1/2" D	White	045923673641	10/1
65-365	2' x 2' RECESSED FLANGE KIT	25 1/2" L x 25" W x 1 1/2" D	White	045923663598	10/1
65-366	2' x 4' RECESSED FLANGE KIT	49" L x 25" W x 1 1/2" D	White	045923653667	10/1
65-367	4' SUSPENSION CABLE KIT			045923653674	100/1

Product sheets NU1364, NU1423, NU1424

# LED Premium troffer fixtures

## Features

- White finish
- Volumetric design
- Acrylic linear prismatic lens
- Maintenance free—no bulb to change
- Broad, even light distribution
- CRI >80
- 0-10V dimming
- Universal input voltage, 100V-277V
- Operating temperature -20°C to 40°C
- Drop into T-bar grid
- DLC Premium listed
- Rated 50,000 hours
- 5 Year warranty



## LED Premium Troffer Fixtures



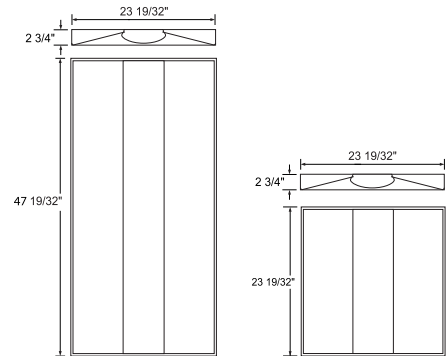
Item Number	Lamp Description	W	V	CRI	CCT	Lm	Life/Hrs.	UPC	Pack
65-421	2x2 Troffer - 30W - 3500K	30	100-277	80	3500K	3750	50K	045923534218	1
65-422	2x2 Troffer - 30W - 4000K	30	100-277	80	4000K	3750	50K	045923534225	1
65-423	2x2 Troffer - 30W - 5000K	30	100-277	80	5000K	3750	50K	045923534232	1
65-427	2x4 Troffer - 40W - 3500K	40	100-277	80	3500K	5000	50K	045923534270	1
65-428	2x4 Troffer - 40W - 4000K	40	100-277	80	4000K	5000	50K	045923534287	1
65-429	2x4 Troffer - 40W - 5000K	40	100-277	80	5000K	5000	50K	045923534294	1
65-430	2x4 Troffer - 50W - 3500K	50	100-277	80	3500K	6250	50K	045923534300	1
65-431	2x4 Troffer - 50W - 4000K	50	100-277	80	4000K	6250	50K	045923534317	1
65-432	2x4 Troffer - 50W - 5000K	50	100-277	80	5000K	6250	50K	045923534324	1

Product sheet NU1518

# LED Troffer fixtures/ emergency battery backup

## Features

- White finish
- Volumetric design
- Acrylic linear prismatic lens
- Maintenance free—no bulb to change
- Broad, even light distribution
- Integrated test button and indicator light
- 90 Minute battery run time
- No additional wiring steps
- CRI >80
- 0-10V Dimming
- Universal input voltage, 100V-277V
- Operating temperature -20°C to 40°C
- Drop into T-bar grid
- Rated 50,000 hours
- DLC Premium listed
- 5 Year warranty



Battery Power  
8W/1000Lm

## LED Troffer Fixtures



Item Number	Lamp Description	W	V	CRI	CCT	Lm	Life/Hrs.	UPC	Pack
65-445	EM 2x2 Troffer - 30W - 3500K	30	100-277	80	3500K	3750	50K	045923534454	1
65-446	EM 2x2 Troffer - 30W - 4000K	30	100-277	80	4000K	3750	50K	045923534461	1
65-447	EM 2x2 Troffer - 30W - 5000K	30	100-277	80	5000K	3750	50K	045923534478	1
65-451	EM 2x4 Troffer - 40W - 3500K	40	100-277	80	3500K	5000	50K	045923534515	1
65-452	EM 2x4 Troffer - 40W - 4000K	40	100-277	80	4000K	5000	50K	045923534522	1
65-453	EM 2x4 Troffer - 40W - 5000K	40	100-277	80	5000K	5000	50K	045923534539	1
65-454	EM 2x4 Troffer - 50W - 3500K	50	100-277	80	3500K	6250	50K	045923534546	1
65-455	EM 2x4 Troffer - 50W - 4000K	50	100-277	80	4000K	6250	50K	045923534553	1
65-456	EM 2x4 Troffer - 50W - 5000K	50	100-277	80	5000K	6250	50K	045923534560	1

Product sheet NU1517



# LED Vapor tight surface mount fixtures

Efficiency and safety  
in one package

## Features

- Available with or without occupancy sensor
- Tamper/vandal resistant
- High lumens/watt
- Heat resistant
- Operating temperature -30°C to 55°C
- Optional suspension kit 62-1069
- 100-277 range voltage, 50/60Hz
- 0-10V dimming
- Wet location when using provided connector\*
- Rated—50,000 hours
- DLC listed
- 5 Year warranty



## Occupancy Sensor Specifications

Sensitivity	10% / 50% / 75% / 100%
Hold-time	5s / 30s / 1min / 5min / 10min / 20min / 30min
Stand-by time	0s / 10s / 1min / 5min / 10min / 30min/ 1 hr / +∞
Stand-by dim level	10% / 20% / 30% / 50%
Daylight sensor	2 ~ 50lux, disable
Microwave frequency	5.8GHz +/-75MHz
Detection range	maximum (diameter x height): 16m x 15m
Detection angle	30° ~ 150°
Mounting height	maximum 6m
Working temperature	-20°C ~ 60°C

## LED Vapor Tight Surface Mount Fixtures



Item Number	Lamp Description	W	V	Lm	CCT	IP	CRI	Lm P/W	Life/ Hrs.	UPC	Pk./ Mstr.
62-1061	29W Vapor Proof Sfc. Mnt-4000K	29	100-277	3200	4000K	IP65	80	112	50K	045923410611	1
62-1062	29W Vapor Proof Sfc. Mnt-5000K	29	100-277	3400	5000K	IP65	80	118	50K	045923410628	1
62-1063	58W Vapor Proof Sfc. Mnt-4000K	58	100-277	6400	4000K	IP65	80	110	50K	045923410635	1
62-1064	58W Vapor Proof Sfc. Mnt-5000K	58	100-277	7000	5000K	IP65	80	120	50K	045923410642	1
62-1065	29W Vapor Proof Sfc. Mnt-4000K-w/OCC Sensor	29	100-277	3200	4000K	IP65	80	112	50K	045923410659	1
62-1066	29W Vapor Proof Sfc. Mnt-5000K-w/OCC Sensor	29	100-277	3400	5000K	IP65	80	118	50K	045923410666	1
62-1067	58W Vapor Proof Sfc. Mnt-4000K-w/OCC Sensor	58	100-277	6400	4000K	IP65	80	110	50K	045923510670	1
62-1068	58W Vapor Proof Sfc. Mnt-5000K-w/OCC Sensor	58	100-277	7000	5000K	IP65	80	120	50K	045923410680	1
Accessories											
62-1069	Suspension Kit Set (2 per set) - 9.5" Length									045923410697	50

Product sheet NU1354

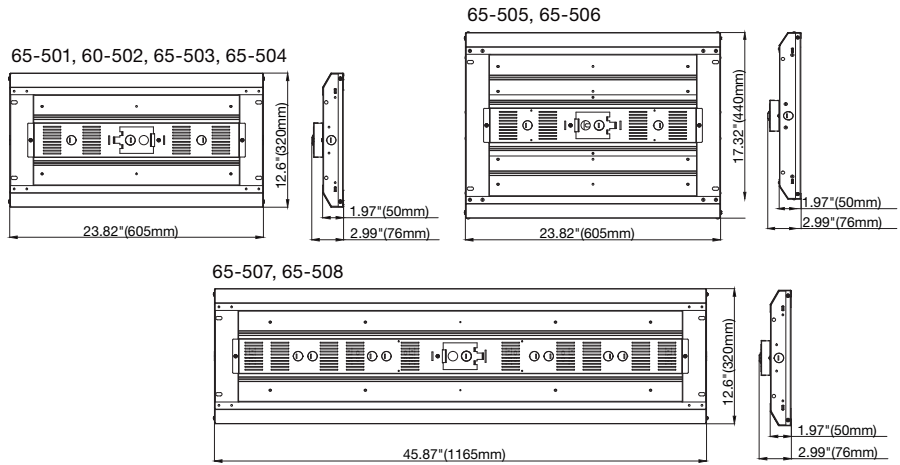
# LED Premium linear hi-bay fixtures



Optional Protective Cage  
 Item no. 65-498 (2'/800W & 100W)  
 Item no. 65-499 (2'/115W)  
 Item no. 65-500 (4')

## Features

- Broad, even light distribution
- 120-277 range voltage
- CRI 80
- 1-10V Dimming
- 3KV Surge protection
- IP20 rated
- 48" Chain and suspension V-clips included
- Operating temperature -20°C to 45° C
- Rated 50,000 hours
- DLC Premium listed
- 5 Year warranty



## LED Premium Linear Hi-Bay Fixtures



Item Number	Lamp Description	W	Lm	CCT	CRI	Lm P/W	Dimming	Voltage	Life/Hrs.	UPC	Pk.
65-501	2FT Linear High Bay - 80W	80	10400	4000K	80	130	1-10V	120-277	50K	045923535017	1
65-502	2FT Linear High Bay - 80W	80	10400	5000K	80	130	1-10V	120-277	50K	045923682391	1
65-503	2FT Linear High Bay - 110W	110	14300	4000K	80	130	1-10V	120-277	50K	045923535031	1
65-504	2FT Linear High Bay - 110W	110	14300	5000K	80	130	1-10V	120-277	50K	045923682407	1
65-505	2FT Linear High Bay - 165W	165	21450	4000K	80	130	1-10V	120-277	50K	045923535055	1
65-506	2FT Linear High Bay - 165W	165	21450	5000K	80	130	1-10V	120-277	50K	045923682414	1
65-507	4FT Linear High Bay - 225W	225	29250	4000K	80	130	1-10V	120-277	50K	045923535079	1
65-508	4FT Linear High Bay - 225W	225	29250	5000K	80	130	1-10V	120-277	50K	045923682421	1

### Accessories

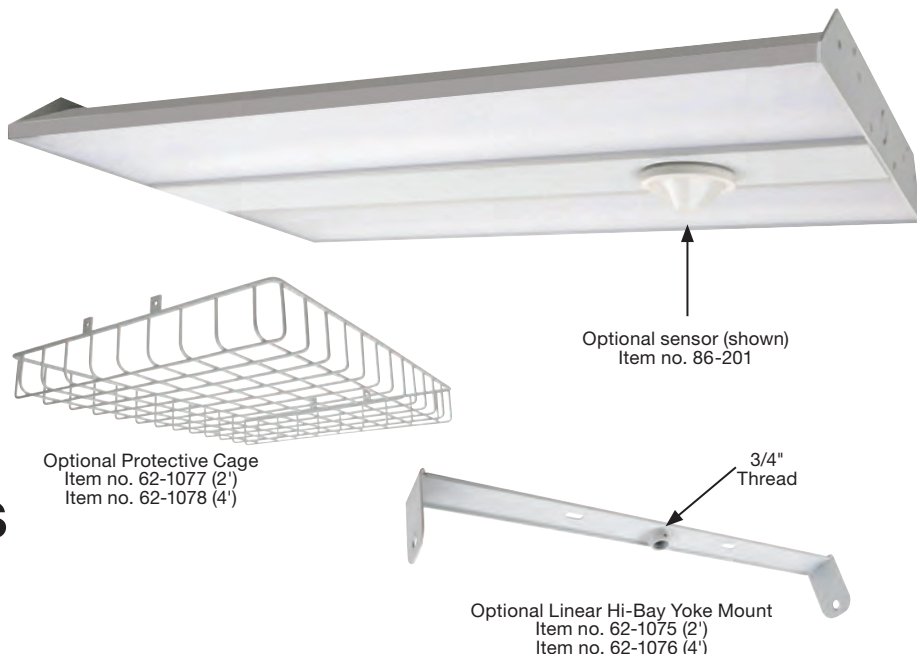
65-498	2 FT Wire Guard / White	For 800W & 110W size				045923682124	10
65-499	2 FT Wire Guard / White	For 115W size				045923682131	10
65-500	4FT Wire Guard / White	For 225W size				045923655005	10
86-202	Add on microwave sensor / White					045923862021	30

Product sheet NU1519

# LED Linear hi-bay fixtures

## Features

- Broad, even light distribution
- 130 lumens per watt
- 100-277 range voltage, 50/60Hz
- CRI 80
- 0-10V Dimming
- Operating temperature -30°C to 55°C
- IP20 rated
- 20" Chain suspension kit included
- Rated 50,000 hours
- DLC Premium listed
- 5 Year warranty



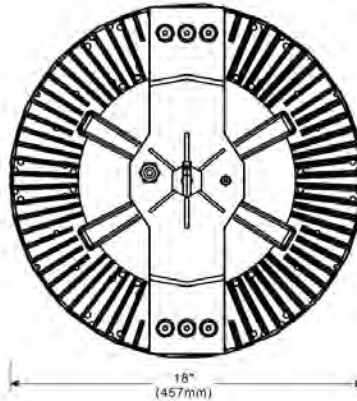
Optional Sensor Specifications			
Power supply	100/120/240/277VAC, 50/60Hz	HIC protection	Max. 80A for 16.7msec.
Maximum Load @ -40°C~55°C (-40°F~131°F)	Incandescent/Halogen - 800/1200W(VA)@120/277V	Detectable speed	0.3~3m/sec. (1~10 ft./sec.)
	Fluorescent Ballast/CFL - 800/1200W(VA)@120/277V	Mounting height	Subject to the lens type applied
Maximum Load @ 55°C~70°C (131°F~158°F)	Ballast Electronic (LED) - 540/1200VA@120/277V	Detection range	Subject to the lens applied and height
	Incandescent/Halogen - 500/750W(VA)@120/277V	Ambient light level	7 levels Accu-Set digital potentiometer
Fluorescent Ballast/CFL - 500/750W(VA)@120/277V	Ballast Electronic (LED) - 500/750VA@120/277V	Delay time setting	T1/1/3/5/10/20/30', T=10 sec. for testing
		Op. humidity	Max. 95% RH
Infrared sensor	Omni-directional quad element	Op. temperature	-40°C~70°C (-40°F~158°F)
Load switching	Zero-cross Hybrid-Switching	Dimensions	Ø60 x H37mm (Ø2.36" x H1.45")

## LED Linear Hi-Bay Fixtures

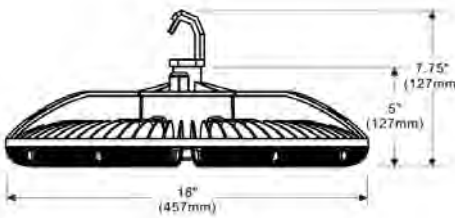


Item Number	Lamp Description	W	Lm	CCT	CRI	Lumen P/W	Dimming	Voltage	Life/Hrs.	UPC	Pack
62-1071	75W - 2 Foot Linear Hi-Bay - 4000K	75	9750	4000K	80	130	0-10V	100-277	50K	045923410710	1
62-1072	100W - 2 Foot Linear Hi-Bay - 4000K	100	13000	4000K	80	130	0-10V	100-277	50K	045923410727	1
62-1073	150W - 2 Foot Linear Hi-Bay - 4000K	150	19500	4000K	80	130	0-10V	100-277	50K	045923410734	1
62-1074	210W - 4 Foot Linear Hi-Bay - 4000K	210	27300	4000K	80	130	0-10V	100-277	50K	045923410741	1
Accessories											
62-1075	2 Foot Linear Hi-Bay Yoke Mount									045923510755	10
62-1076	4 Foot Linear Hi-Bay Yoke Mount									045923510762	5
62-1077	2 Foot Protective Cage Accessory									045923210778	5
62-1078	4 Foot Protective Cage Accessory									045923210785	2

Product sheet NU1355



Optional sensor  
Item no. 86-201



# LED circular hi-bay fixture

## Features

- White finish
- Rugged construction
- Die-cast aluminum body
- High impact polycarbonate frosted lens
- Optional occupancy sensor - Item no. 86/201
- UV stabilized powder coated finish
- 120-277 V, 50/60Hz
- -40°C to 40°C starting temperature
- 151W, 250–400W MH equivalent
- 215W, 1000W MH equivalent
- Rated 54,000 Hours
- DLC Premium listed
- IP66
- 5 Year warranty

Optional Sensor Specifications			
Power supply	100/120/240/277VAC, 50/60Hz	HIC protection	Max. 80A for 16.7msec.
Maximum Load @ -40°C–55°C (-40°F–131°F)	Incandescent/Halogen - 800/1200W(VA)@120/277V	Detectable speed	0.3–3m/sec. (1–10 ft./sec.)
	Fluorescent Ballast/CFL - 800/1200W(VA)@120/277V	Mounting height	Subject to the lens type applied
	Ballast Electronic (LED) - 540/1200VA@120/277V	Detection range	Subject to the lens applied and height
Maximum Load @ 55°C–70°C (131°F–158°F)	Incandescent/Halogen - 500/750W(VA)@120/277V	Ambient light level	7 levels Accu-Set digital potentiometer
	Fluorescent Ballast/CFL - 500/750W(VA)@120/277V	Delay time setting	T/1/3/5/10/20/30', T=10 sec. for testing
	Ballast Electronic (LED) - 500/750VA@120/277V	Op. humidity	Max. 95% RH
Infrared sensor	Omni-directional quad element	Op. temperature	-40°C–70°C (-40°F–158°F)
Load switching	Zero-cross Hybrid-Switching	Dimensions	Ø60 x H37mm (Ø2.36" x H1.45")

## LED Circular Hi-Bay Fixture



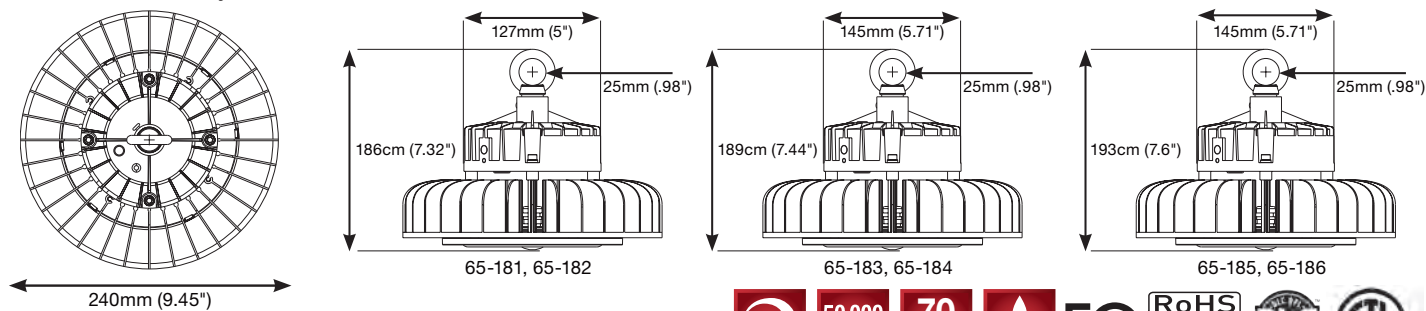
Item Number	Lamp Description	W	V	Finish	CCT	Lm	CRI	Life/Hrs.	UPC	Pack/Mstr.
65-088	151W Circular Hi-Bay	151	120-277	White	5000K	19112	80	54K	045923650888	1
65-089	215W Circular Hi-Bay	215	120-277	White	5000K	27678	80	54K	045923650895	1

Product sheet NU1389

# LED UFO High Bay Fixture

## Features

- Black finish
- Rugged construction
- Die cast aluminum alloy body / stainless steel screws
- Impact resistant diffuser
- 6' Whip
- 120° Beam spread
- UV powder coated finish
- Dimmable 0-10V
- 100W, 150W Operating temperature -30°C to 50°C
- 200W Operating temperature -30°C to 40°C
- IP65
- LED Lifetime: >50,000 hrs
- DLC Premium listed
- 5 Year warranty



## LED UFO High Bay Fixture



Item Number	Lamp Description	W	V	HID Equiv.	Finish	CCT	Lm	CRI	LifeHrs.	UPC
65-181	LED UFO High Bay	100	100-277V	200-250W	Black	4000K	13000	70+	50,000	45923738104
65-182	LED UFO High Bay	100	100-277V	200-250W	Black	5000K	13000	70+	50,000	45923738111
65-183	LED UFO High Bay	150	100-277V	300-400W	Black	4000K	19500	70+	50,000	45923738128
65-184	LED UFO High Bay	150	100-277V	300-400W	Black	5000K	19500	70+	50,000	45923738135
65-185	LED UFO High Bay	200	100-277V	600W	Black	4000K	26000	70+	50,000	45923738142
65-186	LED UFO High Bay	200	100-277V	600W	Black	5000K	26000	70+	50,000	45923738159

Accessories										
65-187	Optional Add On Anti-Glare Reflector				Clear Prismatic					045923680137
65-188	Optional 60° Replacement Optic				Impact resistant diffuser					045923680144
65-189	Optional 90° Replacement Optic				Impact resistant diffuser					045923680151

Product sheet NU1503





## Blink™ indoor commercial/residential LED flush mount fixtures

So simple, so innovative – perfect for so many projects. That's Blink. Sleek, efficient and easy to install. Blink again.

Blink LED fixtures come in the sizes, shapes, finishes and specifications that make solving most any lighting problem easy. No room for a recessed can fixture? No problem. If there's only a 3" or 4" junction box or a pancake box to work with, mounting is simple, and Blink is your LED lighting solution. Blink's ultra-sleek design – only 1" deep – makes it the answer for so many hard to light spaces. Blink is perfect for so many venues both residential and commercial. Kitchens, bathrooms, hallways, meeting rooms, offices and retail venues all benefit from this simple, efficient LED fixture.

# 1' x 1' and 2' x 2' Blink Plus LED surface mount fixtures

## Applications

- Kitchens
- Bathrooms
- Hallways
- Closets
- Meeting rooms
- Hospitality
- Health care
- Offices
- Retail



62-1151

## Features

- Dimmable, 120V only\*\*
- White finish
- Damp location
- Ultra-low profile made for j-box installs
- Unique quick-lock mounting bracket
- Mounts directly to 3" and 4" junction boxes
- 100-277V, 50/60Hz
- ENERGY STAR certified\*
- 5 Year limited warranty



Installation for 2'x2'  
fixtures is easy using the  
unique quick-lock mount-  
ing bracket.



Quick-lock  
mounting  
bracket  
for all 1'x1'  
fixtures.



## Blink Plus LED Surface Mount Fixtures

Item Number	Lamp Description	W	Bulb Type	V	Finish	CRI	CCT	Lm	Life/Hrs.	Dimensions	UPC	Pack
80 CRI												
62-1151*	18W/LED/1X1/FLUSH/5K/WH	18	LED	100-277	White	80	5000K	1600	50K	12"L x 12"W x ¾"D	045923511516	6/1
62-1153*	45W/LED/2X2/FLUSH/5K/WH	45	LED	100-277	White	80	5000K	4050	50K	24"L x 24"W x ¾"D	045923511530	2/1
90 CRI												
62-1051*	18W/LED/1X1/FLUSH/3K/WH	18	LED	100-277	White	90	3000K	1300	50K	12"L x 12"W x ¾"D	045923410512	6/1
62-1251*	18W/LED/1X1/FLUSH/4K/WH	18	LED	100-277	White	90	4000K	1365	50K	12"L x 12"W x ¾"D	045923512513	6/1
62-1053*	45W/LED/2X2/FLUSH/3K/WH	45	LED	100-277	White	90	3000K	3500	50K	24"L x 24"W x ¾"D	045923410536	2/1
62-1253*	45W/LED/2X2/FLUSH/4K/WH	45	LED	100-277	White	90	4000K	3675	50K	24"L x 24"W x ¾"D	045923512537	2/1

\*\* Consult Satco or visit [www.satco.com](http://www.satco.com) for an up to date dimmer compatibility list.

Product sheet SA2030-1

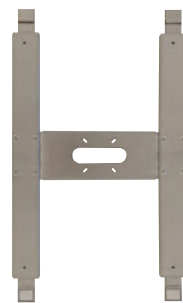
# 1' x 2' Blink Plus LED surface mount fixtures

## Applications

- Kitchens
- Bathrooms
- Hallways
- Closets
- Meeting rooms
- Hospitality
- Health care
- Offices
- Retail

## Features

- Dimmable, 120V only\*\*
- White finish
- Damp location
- Ultra-low profile made for j-box installs
- Unique quick-lock mounting bracket
- Mounts directly to 3" and 4" junction boxes
- 100-277V, 50/60Hz
- ENERGY STAR certified\*
- 5 Year limited warranty



Unique quick-lock mounting bracket

FLUSH MOUNT

## Blink Plus LED Surface Mount Fixtures



Item Number	Lamp Description	W	Bulb Type	Finish	V	CRI	CCT	Lm	Life/Hrs.	UPC	Pack
80 CRI											
62-1152	22W/LED/1X2/FLUSH/5K/WH	22	LED	White	100-277	80	5000K	1900	50K	045923511523	4/1
90 CRI											
62-1052*	22W/LED/1X2/FLUSH/3K/WH	22	LED	White	100-277	90	3000K	1650	50K	045923410529	4/1
62-1252*	22W/LED/1X2/FLUSH/4K/WH	22	LED	White	100-277	90	4000K	1735	50K	045923512520	4/1

\*\* Consult Satco or visit [www.satco.com](http://www.satco.com) for an up to date dimmer compatibility list.

Product sheet SA2030-1

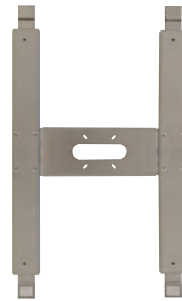
# 1' x 4' Blink Plus LED surface mount fixtures

## Applications

- Kitchens
- Bathrooms
- Hallways
- Closets
- Meeting rooms
- Hospitality
- Health care
- Offices
- Retail

## Features

- Dimmable, 120V only\*\*
- White finish
- Damp location
- Ultra-low profile made for j-box installs
- Unique quick-lock mounting bracket
- Mounts directly to 3" and 4" junction boxes
- 100-277V, 50/60Hz
- ENERGY STAR certified\*
- 5 Year limited warranty



Unique quick-lock mounting bracket

## Blink Plus LED Surface Mount Fixtures



Item Number	Lamp Description	W	Bulb Type	V	CRI	CCT	Lm	Life/Hrs.	Finish	UPC	Pack
80 CRI											
62-1154	45W/LED/1X4/FLUSH/5K/WH	45	LED	100-277	80	5000K	4050	50K	White	045923511547	2/1
90 CRI											
62-1054*	45W/LED/1X4/FLUSH/3K/WH	45	LED	100-277	90	3000K	3600	50K	White	045923410543	2/1
62-1254*	45W/LED/1X4/FLUSH/4K/WH	45	LED	100-277	90	4000K	3780	50K	White	045923512544	2/1

\*\* Consult Satco or visit [www.satco.com](http://www.satco.com) for an up to date dimmer compatibility list.

Product sheet SA2030-1

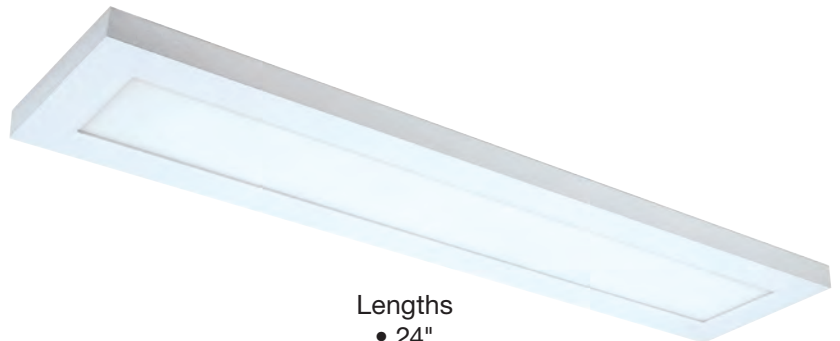
# Blink Plus LED linear surface mount fixtures

## Applications

- Kitchens
- Bathrooms
- Hallways
- Closets
- Meeting rooms
- Hospitality
- Health care
- Offices
- Retail

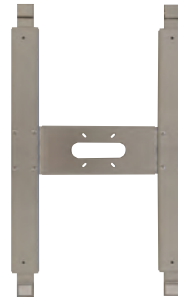
## Features

- Dimmable, 120V only\*\*
- White finish
- Damp location
- Ultra-low profile made for j-box installs
- Unique quick-lock mounting bracket
- Mounts directly to 3" and 4" junction boxes
- 100-277V, 50/60Hz
- ENERGY STAR certified\*
- 5 Year limited warranty



### Lengths

- 24"
- 36"
- 48"



Unique quick-lock mounting bracket

FLUSH MOUNT



## Blink Plus LED Surface Mount Fixtures

Item Number	Lamp Description	W	Bulb Type	Finish	V	CRI	CCT	Lm	Life/Hrs.	UPC	Pack
80 CRI											
62-1155	22W/LED/5.5"X24"/FLUSH/5K/WH	22	LED	White	100-277	80	5000K	1870	50K	045923511554	6/1
62-1156	30W/LED/5.5"X36"/FLUSH/5K/WH	30	LED	White	100-277	80	5000K	2600	50K	045923511561	4/1
62-1157	40W/LED/5.5"X48"/FLUSH/5K/WH	40	LED	White	100-277	80	5000K	3300	50K	045923511578	4/1
90 CRI											
62-1055*	22W/LED/5.5"X24"/FLUSH/3K/WH	22	LED	White	100-277	90	3000K	1600	50K	045923410550	6/1
62-1056*	30W/LED/5.5"X36"/FLUSH/3K/WH	30	LED	White	100-277	90	3000K	2100	50K	045923410567	4/1
62-1057*	40W/LED/5.5"X48"/FLUSH/3K/WH	40	LED	White	100-277	90	3000K	2800	50K	045923410574	4/1
62-1255*	22W/LED/5.5"X24"/FLUSH/4K/WH	22	LED	White	100-277	90	4000K	1680	50K	045923512551	6/1
62-1256*	30W/LED/5.5"X36"/FLUSH/4K/WH	30	LED	White	100-277	90	4000K	2205	50K	045923512568	4/1
62-1257*	40W/LED/5.5"X48"/FLUSH/4K/WH	40	LED	White	100-277	90	4000K	2940	50K	045923512575	4/1

\*\* Consult Satco or visit [www.satco.com](http://www.satco.com) for an up to date dimmer compatibility list.

Product sheet SA2030-1



# 1' x 1' and 2' x 2' Blink Plus Profile LED surface mount fixtures

## Applications

- Kitchens • Bathrooms • Hallways
- Meeting rooms • Hospitality • Health care
- Offices • Retail • Closets

## Features

- Dimmable\*
- Damp location listed
- Gunmetal, Bronze or White finish
- Ultra-low profile only 1" deep
- Unique quick-lock mounting bracket
- Mounts directly to 3" and 4" junction boxes
- 100-277V
- 90 CRI
- ENERGY STAR certified
- 5 Year limited warranty



1'x1', Bronze Finish shown



1'x1', Gunmetal Finish shown



1'x1', White Finish shown



Installation is easy using the unique quick-lock mounting brackets.



Quick-lock mounting bracket for 62-1171 & 62-1181

## Blink Plus Profile 1' x 1' and 2' x 2' LED Surface Mount Fixtures



Item Number	Lamp Description	W	V	CRI	CCT	Lm	Finish	Life/ Hrs.	Dimensions	UPC	Pk.
62-1171	18W/LED/1X1X1/FLUSH/3K	18	100-277V	90	3000K	1300	GUNMETAL	50K	12"L x 12"W x 1"D	045923511714	6
62-1173	45W/LED/2X2X1/FLUSH/3K	45	100-277V	90	3000K	3500	GUNMETAL	50K	24"L x 24"W x 1"D	045923511738	2
62-1181	18W/LED/1X1X1/FLUSH/3K	18	100-277V	90	3000K	1300	BRONZE	50K	12"L x 12"W x 1"D	045923511813	6
62-1183	45W/LED/2X2X1/FLUSH/3K	45	100-277V	90	3000K	3500	BRONZE	50K	24"L x 24"W x 1"D	045923511837	2
62-1371	18W/LED/1X1/FLUSH/3K	18	100-277V	90	3000K	1300	WHITE	50K	12"L x 12"W x 1"D	045923713712	6
62-1373	45W/LED/2X2/FLUSH/3K	45	100-277V	90	3000K	3500	WHITE	50K	24"L x 24"W x 1"D	045923713736	2
62-1381	18W/LED/1X1/FLUSH/4K	18	100-277V	90	4000K	1365	WHITE	50K	12"L x 12"W x 1"D	045923713811	6
62-1383	45W/LED/2X2/FLUSH/4K	45	100-277V	90	4000K	3780	WHITE	50K	24"L x 24"W x 1"D	045923713835	2

\* Dimmable at 120V only. \*\* Consult Satco or visit [www.satco.com](http://www.satco.com) for an up to date dimmer compatibility list.

# 1' x 2' and 1' x 4' Blink Plus Profile LED surface mount fixtures

## Applications

- Kitchens • Bathrooms • Hallways
- Meeting rooms • Hospitality • Health care
- Offices • Retail • Closets

## Features

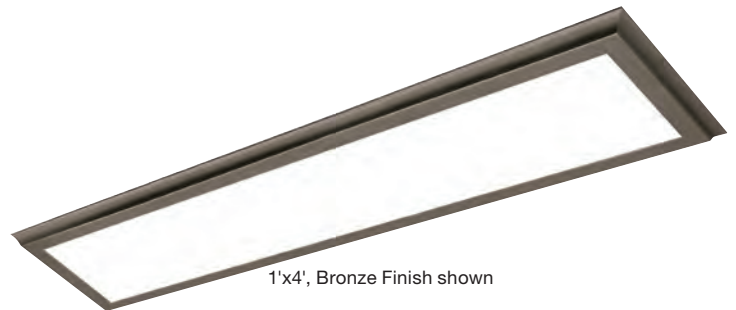
- Dimmable\*
- Damp location listed
- Gunmetal, Bronze or White finish
- Ultra-low profile only 1" deep
- Unique quick-lock mounting bracket
- Mounts directly to 3" and 4" junction boxes
- 100-277V
- 90 CRI
- ENERGY STAR certified
- 5 Year limited warranty



1'x2', White finish shown



1'x2', Gunmetal Finish shown



1'x4', Bronze Finish shown



Installation is easy using the unique quick-lock mounting brackets.

FLUSH MOUNT

## Blink Plus Profile LED 1' x 2' and 1' x 4' Surface Mount Fixtures



Item Number	Lamp Description	W	V	CRI	CCT	Lm	Finish	Life/ Hrs.	Dimensions	UPC	Pk.
62-1172	22W/LED/1X2X1/FLUSH/3K	22	100-277V	90	3000K	1650	GUNMETAL	50K	12"L x 24"W x 1"D	045923511721	4
62-1174	45W/LED/1X4X1/FLUSH/3K	45	100-277V	90	3000K	3600	GUNMETAL	50K	12"L x 48"W x 1"D	045923511745	2
62-1182	22W/LED/1X2X1/FLUSH/3K	22	100-277V	90	3000K	1650	BRONZE	50K	12"L x 24"W x 1"D	045923511820	4
62-1184	45W/LED/1X4X1/FLUSH/3K	45	100-277V	90	3000K	3600	BRONZE	50K	12"L x 48"W x 1"D	045923511844	2
62-1372	22W/LED/1X2/FLUSH/3K	22	100-277V	90	3000K	1650	WHITE	50K	12"L x 24"W x 1"D	045923713729	4
62-1374	45W/LED/1X4/FLUSH/3K	45	100-277V	90	3000K	3600	WHITE	50K	12"L x 48"W x 1"D	045923713743	2
62-1382	22W/LED/1X2/FLUSH/4K	22	100-277V	90	4000K	1735	WHITE	50K	12"L x 24"W x 1"D	045923713828	4
62-1384	45W/LED/1X4/FLUSH/4K	45	100-277V	90	4000K	3780	WHITE	50K	12"L x 48"W x 1"D	045923713842	2

\* Dimmable at 120V only. \*\* Consult Satco or visit [www.satco.com](http://www.satco.com) for an up to date dimmer compatibility list.

# Blink Plus Profile LED linear surface mount fixtures

## Applications

- Kitchens • Bathrooms • Hallways
- Meeting rooms • Hospitality • Health care
- Offices • Retail • Closets

## Features

- Dimmable\*
- Damp location listed
- Gunmetal, Bronze or White finish
- Ultra-low profile only 1" deep
- Unique quick-lock mounting bracket
- Mounts directly to 3" and 4" junction boxes
- 100-277V
- 90 CRI
- ENERGY STAR certified
- 5 Year limited warranty



7"x2', Bronze Finish shown



7"x2', Gunmetal Finish shown



7"x4', White Finish shown



Installation is easy using the unique quick-lock mounting brackets.



## Blink Plus Profile LED Linear Surface Mount Fixtures

Item Number	Lamp Description	W	V	CRI	CCT	Lm	Finish	Life/Hrs.	Dimensions	UPC	Pk.
62-1175	22W/LED/7"X25"X1"/FLUSH/3K	22	100-277V	90	3000K	1600	GUNMETAL	50K	25"L x 7"W x 1"D	045923511752	6
62-1176	30W/LED/7"X38"X1"/FLUSH/3K	30	100-277V	90	3000K	2100	GUNMETAL	50K	38"L x 7"W x 1"D	045923511769	4
62-1177	40W/LED/7"X49"X1"/FLUSH/3K	40	100-277V	90	3000K	2800	GUNMETAL	50K	49"L x 7"W x 1"D	045923511776	4
62-1185	22W/LED/7"X25"X1"/FLUSH/3K	22	100-277V	90	3000K	1600	BRONZE	50K	25"L x 7"W x 1"D	045923511851	6
62-1186	30W/LED/7"X38"X1"/FLUSH/3K	30	100-277V	90	3000K	2100	BRONZE	50K	38"L x 7"W x 1"D	045923511868	4
62-1187	40W/LED/7"X49"X1"/FLUSH/3K	40	100-277V	90	3000K	2800	BRONZE	50K	49"L x 7"W x 1"D	045923511875	4
62-1375	22W/LED/7"X25"/FLUSH/3K	22	100-277V	90	3000K	1600	WHITE	50K	25"L x 7"W x 1"D	045923713750	6
62-1376	30W/LED/7"X38"/FLUSH/3K	30	100-277V	90	3000K	2100	WHITE	50K	38"L x 7"W x 1"D	045923713767	4
62-1377	40W/LED/7"X49"/FLUSH/3K	40	100-277V	90	3000K	2800	WHITE	50K	49"L x 7"W x 1"D	045923713774	4
62-1385	22W/LED/7"X25"/FLUSH/4K	22	100-277V	90	4000K	1680	WHITE	50K	25"L x 7"W x 1"D	045923713859	6
62-1386	30W/LED/7"X38"/FLUSH/4K	30	100-277V	90	4000K	2205	WHITE	50K	38"L x 7"W x 1"D	045923713866	4
62-1387	40W/LED/7"X49"/FLUSH/4K	40	100-277V	90	4000K	2940	WHITE	50K	49"L x 7"W x 1"D	045923713873	4

\* Dimmable at 120V only. \*\* Consult Satco or visit [www.satco.com](http://www.satco.com) for an up to date dimmer compatibility list.

# Blink Plus 15" and 19" LED surface mount fixtures

## Applications

- Kitchens
- Bathrooms
- Hallways
- Meeting rooms
- Hospitality
- Health care
- Offices
- Retail
- Closets

## Features

- Dimmable, 120V only\*\*
- White finish
- Damp location listed
- Ultra-low profile only 1" deep
- Unique quick-lock mounting bracket
- Mounts directly to 3" and 4" junction boxes
- 120-277V, 50/60Hz
- 90 CRI
- ENERGY STAR certified\*
- 5 Year limited warranty



62-1191



62-1192



Quick-lock mounting bracket  
for Blink Plus 15" & 19" fixtures

FLUSH MOUNT



## Blink Plus 15" & 19" LED Surface Mount Fixtures

Item Number	Lamp Description	W	V	CRI	CCT	Lm	Finish	Life/Hrs.	Dimensions	UPC	Pk./Mstr.
62-1191*	26W/LED/15" RND/FLUSH/3K/WH	26	120-277	90	3000K	2000	White	50K	15"Dia. x 1"D	045923511912	4/1
62-1291*	26W/LED/15" RND/FLUSH/4K/WH	26	120-277	90	4000K	2100	White	50K	15"Dia. x 1"D	045923512919	4/1
62-1192*	30W/LED/19" RND/FLUSH/3K/WH	30	120-277	90	3000K	2400	White	50K	19"Dia. x 1"D	045923511929	4/1
62-1292*	30W/LED/19" RND/FLUSH/4K/WH	30	120-277	90	4000K	2520	White	50K	19"Dia. x 1"D	045923512926	4/1
<b>Accessories</b>											
62-1294	BLINK 15" PEND SUSPENSION KIT	12' Wire		3x12' Suspension cables						045923512940	6/1
62-1295	BLINK 19" PEND SUSPENSION KIT	12' Wire		3x12' Suspension cables						045923512957	6/1

\*\* Consult Satco or visit [www.satco.com](http://www.satco.com) for an up to date dimmer compatibility list.

# Blink Plus LED 15" and 19" fixture suspension kits

## Features

- For use with Blink Plus 15" and 19" round LED fixtures
- White finish
- Includes 12' of wire
- Includes (3) 12' suspension cables
- Fixtures not included



62-1294  
15" Suspension Kit  
(Fixture sold separately)



62-1295  
19" Suspension Kit  
(Fixture sold separately)

## Blink Plus LED 15" & 19" Fixture Suspension Kits

Item Number	Lamp Description			UPC	Pack/ Master
62-1294	BLINK 15" PEND SUSPENSION KIT	12' Wire	3x12' Suspension cables	045923512940	12/1
62-1295	BLINK 19" PEND SUSPENSION KIT	12' Wire	3x12' Suspension cables	045923512957	12/1

NOTE: Fixtures sold separately

Product sheet SA2030-1

# 5.5" Round Blink LED fixtures

## Applications

- Kitchens
- Bathrooms
- Hallways
- Closets
- Family rooms
- Offices

## Features

- Dimmable\*\*
- Wet location listed
- Available in White, Brushed Nickel, Bronze and Black
- Mounts directly to 3" and 4" junction boxes
- Complies with NEC 410.16 (C) (5)
- ENERGY STAR certified\*
- 5 Year limited warranty



White



Black



Brushed Nickel



Bronze



Polished Chrome

FLUSH MOUNT

## Blink 5.5" LED Round Fixtures



Item Number	Lamp Description	W	V	Finish	CRI	CCT	Lm	Bm	M.O.L. (Inches)	Life/Hrs.	UPC	Pack/Mstr.
S29320†	10.5W/LED/5.5"FLUSH/27K/RD/WH	10.5	120	White	90	2700K	580	108°	1"	50K	045923293207	12/1
S29321†	10.5W/LED/5.5"FLUSH/27K/RD/BN	10.5	120	Br. Nickel	90	2700K	580	108°	1"	50K	045923293214	12/1
S29322†	10.5W/LED/5.5"FLUSH/27K/RD/BRZ	10.5	120	Bronze	90	2700K	580	108°	1"	50K	045923293221	12/1
S29323†	10.5W/LED/5.5"FLUSH/30K/RD/WH†	10.5	120	White	90	3000K	600	108°	1"	50K	045923293238	12/1
S29359†	10W/LED/5.5"FLUSH/30K/RD/BN	10.5	120	Br. Nickel	90	3000K	600	108°	1"	50K	045923293597	12/1
S21500†	10.5W/LED/5.5"FLUSH/30K/RD/BRZ	10.5	120	Bronze	90	3000K	600	108°	1"	50K	045923205002	12/1
S21525†	10.5W/LED/5.5"FLUSH/30K/RD/PC	10.5	120	Pol. Chrome	90	3000K	600	108°	1"	50K	045923215254	12/1
S21526†	10.5W/LED/5.5"FLUSH/30K/RD/BK	10.5	120	Black	90	3000K	600	108°	1"	50K	045923215261	12/1
S21501†	10.5W/LED/5.5"FLUSH/40K/RD/WH	10.5	120	White	90	4000K	600	108°	1"	50K	045923205019	12/1
S21502	10.5W/LED/5.5"FLUSH/50K/RD/WH	10.5	120	White	80	5000K	600	108°	1"	50K	045923205026	12/1
S21518***	10.5W/LED/5.5"FLUSH/50K/RD/BN	10.5	120	Br. Nickel	80	5000K	720	108°	1"	50K	045923215186	12/1

\*\* Consult Satco or visit [www.satco.com](http://www.satco.com) for an up to date dimmer compatibility list.

Product sheet SA2030-1



# 5.5" Square Blink LED fixtures

## Applications

- Kitchens
- Bathrooms
- Hallways
- Closets
- Family rooms
- Offices

## Features

- Dimmable\*\*
- Wet location listed
- Available in White, Brushed Nickel, Bronze and Black
- Mounts directly to 3" and 4" junction boxes
- Complies with NEC 410.16 (C) (5)
- ENERGY STAR certified\*
- 5 Year limited warranty



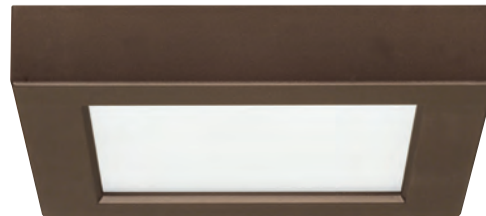
White



Black



Brushed Nickel



Bronze

## Blink 5.5" LED Square Fixtures

Item Number	Lamp Description	W	V	Finish	CRI	CCT	Lm	Bm	M.O.L. (Inches)	Life/Hrs.	UPC	Pack/Mstr.
S29324†	10.5W/LED/5.5"FLUSH/27K/SQ/WH	10.5	120	White	90	2700K	580	108°	1"	50K	045923293245	12/1
S29325†	10.5W/LED/5.5"FLUSH/27K/SQ/BN	10.5	120	Br. Nickel	90	2700K	580	108°	1"	50K	045923293252	12/1
S29326†	10.5W/LED/5.5"FLUSH/27K/SQ/BRZ	10.5	120	Bronze	90	2700K	580	108°	1"	50K	045923293269	12/1
S29327†	10.5W/LED/5.5"FLUSH/30K/SQ/WH	10.5	120	White	90	3000K	600	108°	1"	50K	045923293276	12/1
S21503†	10.5W/LED/5.5"FLUSH/30K/SQ/BN	10.5	120	Br. Nickel	90	3000K	600	108°	1"	50K	045923205033	12/1
S21504†	10.5W/LED/5.5"FLUSH/30K/SQ/BRZ	10.5	120	Bronze	90	3000K	600	108°	1"	50K	045923205040	12/1
S21537†	10.5W/LED/5.5"FLUSH/30K/SQ/BK	10.5	120	Black	90	3000K	600	108°	1"	50K	045923215377	12/1
S21505†	10.5W/LED/5.5"FLUSH/40K/SQ/WH	10.5	120	White	90	4000K	600	108°	1"	50K	045923275050	12/1
S21506	10.5W/LED/5.5"FLUSH/50K/SQ/WH	10.5	120	White	80	5000K	600	108°	1"	50K	045923215063	12/1
S21519***	10.5W/LED/5.5"FLUSH/50K/SQ/BN	10.5	120	Br. Nickel	80	5000K	700	108°	1"	50K	045923215193	12/1



\*\* Consult Satco or visit [www.satco.com](http://www.satco.com) for an up to date dimmer compatibility list.

Product sheet SA2030-1

# 7" Round Blink LED fixtures

## Applications

- Kitchens
- Bathrooms
- Closets
- Hallways
- Family rooms
- Offices

## Features

- Dimmable\*\*
- Wet location
- Available in White, Brushed Nickel, Bronze and Black
- Mounts directly to 3" and 4" junction boxes
- Complies with NEC 410.16 (C) (5) (except 0-10V dimming and 277V models)
- ENERGY STAR certified\*
- 5 Year limited warranty



White



Black



Brushed Nickel



Bronze



Polished Chrome

FLUSH MOUNT

## Blink 7" LED Round Fixtures



Item Number	Lamp Description	W	V	Finish	CRI	CCT	Lm	Bm	M.O.L. (Inches)	Life/Hrs.	UPC	Pack/Mstr.
S29328†	13.5W/LED/7FLUSH/27K/RD/WH	13.5	120	White	90	2700K	800	108°	1"	50K	045923293283	12/1
S29329†	13.5W/LED/7FLUSH/27K/RD/BN	13.5	120	Br. Nickel	90	2700K	800	108°	1"	50K	045923293290	12/1
S29330†	13.5W/LED/7FLUSH/27K/RD/BRZ	13.5	120	Bronze	90	2700K	800	108°	1"	50K	045923293306	12/1
S29331†	13.5W/LED/7FLUSH/30K/RD/WH	13.5	120	White	90	3000K	820	108°	1"	50K	045923293313	12/1
S29349†	13.5W/LED/7FLUSH/30K/RD/BN	13.5	120	Br. Nickel	90	3000K	820	108°	1"	50K	045923293498	12/1
S21507†	13.5W/LED/7"FLUSH/30K/RD/BRZ	13.5	120	Bronze	90	3000K	820	108°	1"	50K	045923205071	12/1
S21527†	13.5W/LED/7"FLUSH/30K/RD/PC	13.5	120	Pol. Chrome	90	3000K	820	108°	1"	50K	045923215278	12/1
S21528†	13.5W/LED/7"FLUSH/30K/RD/BK	13.5	120	Black	90	3000K	820	108°	1"	50K	045923215285	12/1
S29655†	13.5W/LED/7FLUSH/40K/RD/WH	13.5	120	White	90	4000K	820	108°	1"	50K	045923296550	12/1
S29360*	13.5W/LED/7FLUSH/50K/RD/WH	13.5	120	White	90	5000K	900	108°	1"	50K	045923293603	12/1
S21520***	13.5W/LED/7"FLUSH/50K/RD/BN	13.5	120	Br. Nickel	90	5000K	900	108°	1"	50K	045923215209	12/1
0-10V Dimming												
S29367†	13.5W/LED/7FLUSH/30K/RD/WH/0-10VD	13.5	120	White	90	3000K	820	108°	1"	50K	045923293672	12/1
S21508†	13.5W/LED/7"40K/RD/WH/0-10VD	13.5	120	White	80	4000K	820	108°	1"	50K	045923205088	12/1
277V												
S29357†	13.5W/LED/7"FLUSH/30K/RD/WH/277V	13.5	277	White	90	3000K	820	108°	1"	50K	045923293573	12/1

\*\* Consult Satco or visit [www.satco.com](http://www.satco.com) for an up to date dimmer compatibility list.

# 7" Square Blink LED fixtures

## Applications

- Kitchens
- Bathrooms
- Hallways
- Closets
- Family rooms
- Offices

## Features

- Dimmable\*\*
- Wet location
- Available in White, Brushed Nickel, Bronze and Black
- Mounts directly to 3" and 4" junction boxes
- Complies with NEC 410.16 (C) (5)
- ENERGY STAR certified\*
- 5 Year limited warranty



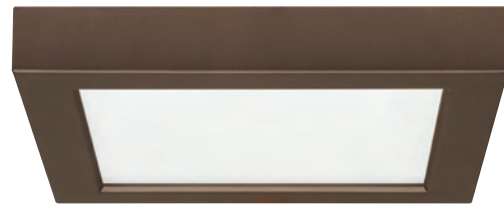
White



Black



Brushed Nickel



Bronze

## Blink 7" LED Square Fixtures



Item Number	Lamp Description	W	V	Finish	CRI	CCT	Lm	Bm	M.O.L. (Inches)	Life/Hrs.	UPC	Pack/Mstr.
S29332†	13.5W/LED/7FLUSH/27K/SQ/WH	13.5	120	White	90	2700K	780	108°	1"	50K	045923293320	12/1
S29333†	13.5W/LED/7FLUSH/27K/SQ/BN	13.5	120	Br. Nickel	90	2700K	780	108°	1"	50K	045923293337	12/1
S29334†	13.5W/LED/7FLUSH/27K/SQ/BRZ	13.5	120	Bronze	90	2700K	780	108°	1"	50K	045923293344	12/1
S29335†	13.5W/LED/7FLUSH/30K/SQ/WH	13.5	120	White	90	3000K	800	108°	1"	50K	045923293351	12/1
S21509†	13.5W/LED/7"FLUSH/30K/SQ/BN	13.5	120	Br. Nickel	90	3000K	800	108°	1"	50K	045923205095	12/1
S21510†	13.5W/LED/7"FLUSH/30K/SQ/BRZ	13.5	120	Bronze	90	3000K	800	108°	1"	50K	045923205101	12/1
S21538†	13.5W/LED/7"FLUSH/30K/SQ/BK	13.5	120	Black	90	3000K	800	108°	1"	50K	045923215384	12/1
S21511†	13.5W/LED/7"FLUSH/40K/SQ/WH	13.5	120	White	90	4000K	800	108°	1"	50K	045923205118	12/1
S29361*	13.5W/LED/7FLUSH/50K/SQ/WH	13.5	120	White	80	5000K	880	108°	1"	50K	045923293610	12/1
S21521***	13.5W/LED/7FLUSH/50K/SQ/WH	13.5	120	White	80	5000K	880	108°	1"	50K	045923215216	12/1

\*\* Consult Satco or visit [www.satco.com](http://www.satco.com) for an up to date dimmer compatibility list.

Product sheet SA2030-1

# 9" Round Blink LED fixtures

## Applications

- Kitchens
- Bathrooms
- Hallways
- Closets
- Family rooms
- Offices

## Features

- Dimmable\*\*
- Wet location
- Available in White, Brushed Nickel, Bronze and Black
- Mounts directly to 3" and 4" junction boxes
- ENERGY STAR certified\*
- 5 Year limited warranty



White



Black



Brushed Nickel



Bronze



Polished Chrome

FLUSH MOUNT



## Blink 9" LED Round Fixtures

Item Number	Lamp Description	W	V	Finish	CRI	CCT	Lm	Bm	M.O.L. (Inches)	Life/Hrs.	UPC	Pack/Mstr.
S29336†	18.5W/LED/9FLUSH/27K/RD/WH	18.5	120	White	90	2700K	1150	108°	1"	50K	045923293368	12/1
S29337†	18.5W/LED/9FLUSH/27K/RD/BN	18.5	120	Br. Nickel	90	2700K	1150	108°	1"	50K	045923293375	12/1
S29338†	18.5W/LED/9FLUSH/27K/RD/BRZ	18.5	120	Bronze	90	2700K	1150	108°	1"	50K	045923293382	12/1
S29339†	18.5W/LED/9FLUSH/30K/RD/WH	18.5	120	White	90	3000K	1200	108°	1"	50K	045923293399	12/1
S29379†	18.5W/LED/9FLUSH/30K/RD/BN	18.5	120	Br. Nickel	90	3000K	1200	108°	1"	50K	045923293795	12/1
S21512†	18.5W/LED/9"FLUSH/30K/RD/BRZ	18.5	120	Bronze	90	3000K	1200	108°	1"	50K	045923205125	12/1
S21529†	18.5W/LED/9"FLUSH/30K/RD/PC	18.5	120	Pol. Chrome	90	3000K	1200	108°	1"	50K	045923215292	12/1
S21530†	18.5W/LED/9"FLUSH/30K/RD/BK	18.5	120	Black	90	3000K	1200	108°	1"	50K	045923215308	12/1
S29690†	18.5W/LED/9FLUSH/40K/RD/WH	18.5	120	White	90	4000K	1200	108°	1"	50K	045923296901	12/1
S29362*	18.5W/LED/9FLUSH/50K/RD/WH	18.5	120	White	80	5000K	1300	108°	1"	50K	045923293627	12/1
S21522***	18.5W/LED/9"FLUSH/50K/RD/BN	18.5	120	Br. Nickel	80	5000K	1400	108°	1"	50K	045923215223	12/1
0-10V, 90 CRI												
S21513†	18.5W/LED/9"/30K/RD/WH/0-10VD	18.5	120	White	90	3000K	1200	108°	1"	50K	045923205132	12/1
S21514†	18.5W/LED/9"/40K/RD/WH/0-10VD	18.5	120	White	90	4000K	1300	108°	1"	50K	045923205149	12/1
277V												
S29358†	18.5W/LED/9"FLUSH/30K/RD/WH/277V	18.5	277	White	90	3000K	1200	108°	1"	50K	045923293580	12/1

\*\* Consult Satco or visit [www.satco.com](http://www.satco.com) for an up to date dimmer compatibility list.

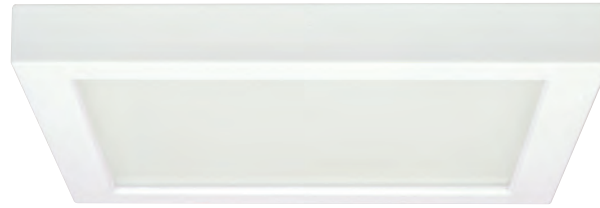
# 9" Square Blink LED fixtures

## Applications

- Kitchens
- Bathrooms
- Hallways
- Closets
- Family rooms
- Offices

## Features

- Dimmable\*\*
- Wet location
- Available in White, Brushed Nickel, Bronze and Black
- Mounts directly to 3" and 4" junction boxes
- ENERGY STAR certified\*
- 5 Year limited warranty



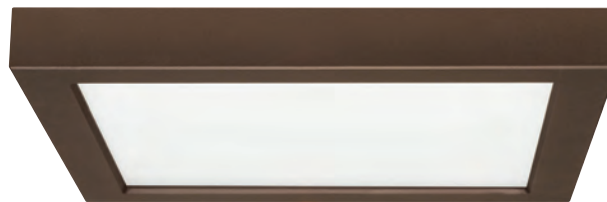
White



Black



Brushed Nickel



Bronze

## Blink 9" LED Square Fixtures



Item Number	Lamp Description	W	V	Finish	CRI	CCT	Lm	Bm	M.O.L. (Inches)	Life/Hrs.	UPC	Pack/Mstr.
S29340†	18.5W/LED/9FLUSH/27K/SQ/WH	18.5	120	White	90	2700K	1100	108°	1"	50K	045923293405	12/1
S29341†	18.5W/LED/9FLUSH/27K/SQ/BN	18.5	120	Br. Nickel	90	2700K	1100	108°	1"	50K	045923293412	12/1
S29342†	18.5W/LED/9FLUSH/27K/SQ/BRZ	18.5	120	Bronze	90	2700K	1100	108°	1"	50K	045923293429	12/1
S29343†	18.5W/LED/9FLUSH/30K/SQ/WH	18.5	120	White	90	3000K	1150	108°	1"	50K	045923293436	12/1
S21515†	18.5W/LED/9"FLUSH/30K/SQ/BN	18.5	120	Br. Nickel	90	3000K	1150	108°	1"	50K	045923215155	12/1
S21516†	18.5W/LED/9"FLUSH/30K/SQ/BRZ	18.5	120	Bronze	90	3000K	1150	108°	1"	50K	045923215162	12/1
S21539†	18.5W/LED/9"FLUSH/30K/SQ/BK	18.5	120	Black	90	3000K	1150	108°	1"	50K	045923215391	12/1
S21517†	18.5W/LED/9"FLUSH/40K/SQ/WH	18.5	120	White	90	4000K	1200	108°	1"	50K	045923215179	12/1
S29363*	18.5W/LED/9FLUSH/50K/SQ/WH	18.5	120	White	80	5000K	1350	108°	1"	50K	045923293634	12/1

\*\* Consult Satco or visit [www.satco.com](http://www.satco.com) for an up to date dimmer compatibility list.

Product sheet SA2030-1

# 13" Round Blink LED fixtures

## Applications

- Kitchens
- Bathrooms
- Hallways
- Closets
- Family rooms
- Offices

## Features

- Dimmable\*\*
- Damp location
- Available in White, Brushed Nickel, and Bronze
- Mounts directly to 3" and 4" junction boxes
- ENERGY STAR certified\*
- 5 Year limited warranty



Installation is easy using the twist & lock mounting bracket.



White



Black



Brushed Nickel



Bronze

FLUSH MOUNT

## Blink 13" LED Round Fixtures



Item Number	Lamp Description	W	V	Finish	CRI	CCT	Lm	Bm	M.O.L. (Inches)	Life/Hrs.	UPC	Pack/Mstr.
S29650*†	25W/LED/13FLUSH/30K/RD/WH	24	120	White	90	3000K	1500	108°	1"	50K	045923296505	4/1
S29651*†	25W/LED/13FLUSH/30K/RD/BN	24	120	Br. Nickel	90	3000K	1500	108°	1"	50K	045923296512	4/1
S21541*†	25W/LED/13"FLUSH/30K/RD/BLK	25	120	Black	90	3000K	1500	108°	1"	50K	045923115417	4/1
S29652*†	25W/LED/13FLUSH/30K/RD/BRZ	24	120	Bronze	90	3000K	1500	108°	1"	50K	045923296529	4/1
S29691*†	25W/LED/13FLUSH/40K/RD/W	25	120	White	80	4000K	1800	108°	1"	40K	045923096914	4/1

\*\* Consult Satco or visit [www.satco.com](http://www.satco.com) for an up to date dimmer compatibility list.

Product sheet SA2030-1



# 6" and 8" Blink LED "Eco" fixtures

## Applications

- Kitchens
- Bathrooms
- Hallways
- Closets
- Family rooms
- Offices

## Features

- Lightweight polycarbonate housing
- Dimmable\*\*
- Damp location
- Available in White, 3000K
- 6" and 8" options
- Mounts directly to 3" and 4" junction boxes
- 90 CRI
- ENERGY STAR certified\*
- 5 Year limited warranty



S9880  
6" White Finish shown

## Blink "Eco" LED Fixtures



Item Number	Lamp Description	W	V	Finish	CRI	CCT	Lm	M.O.L. (Inches)	Life/ Hrs.	UPC	Pack/ Mstr.
S9880*	12.5W/LED/6"FLUSH/3K/ECO	12.5	120	White	90	3000K	690	1"	50K	045923098802	12/1
S9881*	16.5W/LED/8"FLUSH/3K/ECO	16.5	120	White	90	3000K	940	1"	50K	045923098819	12/1

\*\* Consult Satco or visit [www.satco.com](http://www.satco.com) for an up to date dimmer compatibility list.

# 7" and 9" Blink LED "Slim" fixtures

New ultra-thin 5/8" edge lit  
flush mount fixture

## Applications

- Kitchens
- Bathrooms
- Hallways
- Closets
- Family rooms
- Offices

## Features

- Dimmable\*\*
- Damp location
- Available in White, Brushed Nickel, Polished Nickel and Bronze
- Mounts directly to 3" and 4" junction boxes
- 120/277V, 50/60Hz
- 90 CRI
- ENERGY STAR certified\*
- 5 Year limited warranty

Accessories, see page 40.



S9883  
7" Brushed Nickel Finish shown



S9889  
9" Bronze Finish shown

FLUSH MOUNT

## Blink Slim LED Fixtures



Item Number	Lamp Description	W	V	Finish	CRI	CCT	Lm	M.O.L. (Inches)	Life/Hrs.	UPC	Pack/Mstr.
<b>Blink Slim 7"</b>											
S9882*	12W/LED/7"FLUSH/3K/WH/SL	12	120-277	White	90	3000K	960	½"	50K	045923098826	12/1
S9883*	12W/LED/7"FLUSH/3K/BN/SL	12	120-277	Br. Nickel	90	3000K	960	½"	50K	045923098833	12/1
S9884*	12W/LED/7"FLUSH/3K/PN/SL	12	120-277	Pol. Nickel	90	3000K	960	½"	50K	045923098840	12/1
S9885*	12W/LED/7"FLUSH/3K/BRZ/SL	12	120-277	Bronze	90	3000K	960	½"	50K	045923098857	12/1
<b>Blink Slim 9"</b>											
S9886*	16W/LED/9"FLUSH/3K/WH/SL	16	120-277	White	90	3000K	1300	½"	50K	045923098864	12/1
S9887*	16W/LED/9"FLUSH/3K/BN/SL	16	120-277	Br. Nickel	90	3000K	1300	½"	50K	045923098871	12/1
S9888*	16W/LED/9"FLUSH/3K/PN/SL	16	120-277	Pol. Nickel	90	3000K	1300	½"	50K	045923098888	12/1
S9889*	16W/LED/9"FLUSH/3K/BRZ/SL	16	120-277	Bronze	90	3000K	1300	½"	50K	045923098895	12/1

\*\* Consult Satco or visit [www.satco.com](http://www.satco.com) for an up to date dimmer compatibility list.

# Blink accessory Slim 7", 9" pendant kits

Blink LED Slim fixtures sold separately

## Applications / Features

- For use with Blink Slim 7" & 9" round LED fixtures
- White, Bronze, Brushed Nickel or Polished Nickel finishes
- Fixtures not included
- Kit includes pendant, ceiling canopy, 12' cord and all necessary mounting hardware.



## Blink Accessory Slim 7", 9" Pendant Kits

Item Number	Description	Finish	Use With	Cord Length	UPC	Pack
62-1301	BLINK SLIM 7" PENDANT KIT	White	S9882	12'	045923513015	12/1
62-1302	BLINK SLIM 9" PENDANT KIT	White	S9886	12'	045923513022	12/1
62-1303	BLINK SLIM 7" PENDANT KIT	Bronze	S9885	12'	045923513039	12/1
62-1304	BLINK SLIM 9" PENDANT KIT	Bronze	S9889	12'	045923513046	12/1
62-1305	BLINK SLIM 7" PENDANT KIT	Brushed Nickel	S9883	12'	045923513053	12/1
62-1306	BLINK SLIM 9" PENDANT KIT	Brushed Nickel	S9887	12'	045923513060	12/1
62-1307	BLINK SLIM 7" PENDANT KIT	Polished Nickel	S9884	12'	045923513077	12/1
62-1308	BLINK SLIM 9" PENDANT KIT	Polished Nickel	S9888	12'	045923513084	12/1

## Blink LED Slim 7", 9" Fixtures



Item Number	Lamp Description	W	V	Finish	CRI	CCT	Lm	M.O.L. (Inches)	Life/ Hrs.	UPC	Pack
<b>Blink Slim 7"</b>											
S9882*	12W/LED/7"FLUSH/3K/WH/SL	12	120-277	White	90	3000K	960	1/2	50K	045923098826	12/1
S9883*	12W/LED/7"FLUSH/3K/BN/SL	12	120-277	Br. Nickel	90	3000K	960	1/2	50K	045923098833	12/1
S9884*	12W/LED/7"FLUSH/3K/PN/SL	12	120-277	Pol. Nickel	90	3000K	960	1/2	50K	045923098840	12/1
S9885*	12W/LED/7"FLUSH/3K/BRZ/SL	12	120-277	Bronze	90	3000K	960	1/2	50K	045923098857	12/1
<b>Blink Slim 9"</b>											
S9886*	16W/LED/9"FLUSH/3K/WH/SL	16	120-277	White	90	3000K	1300	1/2	50K	045923098864	12/1
S9887*	16W/LED/9"FLUSH/3K/BN/SL	16	120-277	Br. Nickel	90	3000K	1300	1/2	50K	045923098871	12/1
S9888*	16W/LED/9"FLUSH/3K/PN/SL	16	120-277	Pol. Nickel	90	3000K	1300	1/2	50K	045923098888	12/1
S9889*	16W/LED/9"FLUSH/3K/BRZ/SL	16	120-277	Bronze	90	3000K	1300	1/2	50K	045923098895	12/1

\*\* Consult Satco or visit [www.satco.com](http://www.satco.com) for an up to date dimmer compatibility list.

# 5" x 18" and 7" x 18" Blink LED rectangular fixtures

## Applications

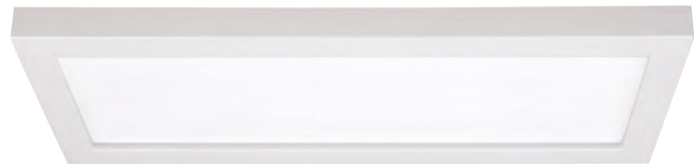
- Kitchens
- Bathrooms
- Hallways
- Closets
- Meeting rooms
- Hospitality
- Health care
- Offices
- Retail

## Features

- Dimmable, 120V only\*\*
- Damp location
- ENERGY STAR certified\*
- 5 Year limited warranty



S9368



S9369

## Blink 5" x 18" LED Rectangular Fixtures



Item Number	Lamp Description	W	Bulb Type	Finish	V	CRI	CCT	Lm	Life/Hrs.	UPC	Pack
S9368*	16W/LED/18"/FLUSH/30K/90CRI/REC	16	LED	White	120	90	3000K	950	40K	045923093685	6/1

## Blink 7" x 18" LED Rectangular Fixture

S9369*	24W/LED/18"/FLUSH/30K/90CRI/REC	24	LED	White	120	90	3000K	1300	40K	045923093692	6/1
--------	---------------------------------	----	-----	-------	-----	----	-------	------	-----	--------------	-----

\*\* Consult Satco or visit [www.satco.com](http://www.satco.com) for an up to date dimmer compatibility list.

Product sheet SA2030-1

# Blink LED 7" battery backup modules

## Features

- 24 hour recharge time
- 90 minute operation from battery
- Switching time: < 1 second
- Over-charge / discharge protection
- Self-checking function
- Test button
- Fixtures sold separately



S29344, S29346



S29345, S29347



S21535, S21536



S29653, S29654

Battery backup module

## Blink LED 7" Round Battery Backup Modules

Item Number	Description	UPC	Pack/Mstr.
S29344	7" Round Battery Back Up - White	045923293443	12/1
S29346	7" Round Battery Back Up - Empty Casing* - White	045923293467	12/1
S29653	7" Round Battery Backup - Brushed Nickel	045923296536	12/1
S29654	7" Round Battery Backup - Empty Casing* - Brushed Nickel	045923296543	12/1
S21533	7" Round Battery Backup - Black	045923215339	12/1
S21534	7" Round Battery Backup - Empty Casing* - Black	045923215346	12/1

## Blink LED 7" Square Battery Backup Modules

S29345	7" Square Battery Backup - White	045923293450	12/1
S29347	7" Square Battery Backup - Empty Casing* - White	045923293474	12/1
S21535	7" Square Battery Backup - Black	045923215353	12/1
S21536	7" Square Battery Backup - Empty Casing* - Black	045923215360	12/1

### Accessories

25-9002	Replacement Battery - 3 Pack Wrapped Batteries	045923250927	48/3
---------	--	--------------	------

Battery backup module and Blink fixture sold separately. \* Used to maintain consistent appearance with Blinks utilizing the battery back up. Product sheet SA2030-1

\*\* Consult Satco or visit [www.satco.com](http://www.satco.com) for an up to date dimmer compatibility list.

# Blink 9" battery backup modules

## Features

- 24 hour recharge time
- 90 minute operation from battery
- Switching time: < 1 second
- Over-charge / discharge protection
- Self-checking function
- Test button
- Fixtures sold separately



S29656, S29657



S29658, S29659

## Blink 9" LED Round Battery Backup

Item Number	Description	UPC	Pack/Mstr.
S29656	9" Round Battery Backup - White	045923096563	12/1
S29657	9" Round Battery Backup - Empty Casing* - White	045923096570	12/1

## Blink 9" LED Square Battery Backup

S29658	9" Square Battery Backup - White	045923096587	12/1
S29659	9" Square Battery Backup - Empty Casing* - White	045923096594	12/1

## Accessories

25-9002	Replacement Battery - 3 Pack Wrapped Batteries	045923250927	48/3
---------	--	--------------	------

Battery backup module and Blink fixture sold separately. \*Used to maintain consistent appearance with Blinks utilizing the battery backup.

Product sheet SA2030-1

\*\* Consult Satco or visit [www.satco.com](http://www.satco.com) for an up to date dimmer compatibility list.



# Blink 13" round battery backup module

## Features

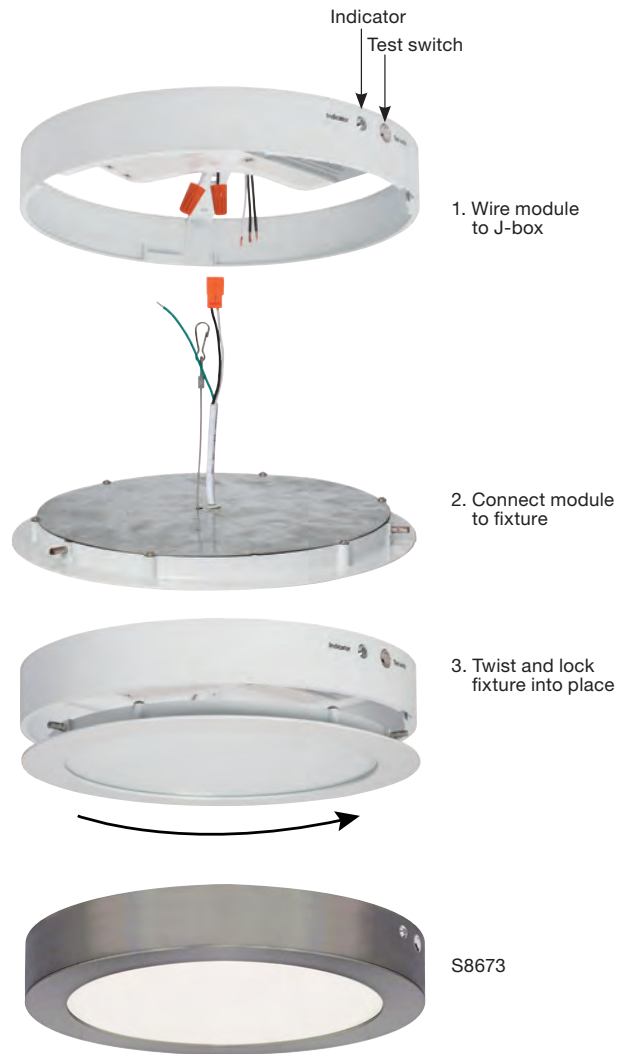
- 24 hour recharge time
- 90 minute operation from battery
- Switching time: < 1 second
- Overcharge / discharge protection
- Self-checking function
- Test button
- 120V operation
- Fixtures sold separately

## Blink LED 13" Battery Backup Modules

Item Number	Description	UPC	Pack/ Master
S8672	13" Round Battery Backup - White	045923086724	12/1
S8674	13" Round Battery Backup - Empty Casing* - White	045923086748	12/1
S8673	13" Round Battery Backup - Brushed Nickel	045923088731	12/1
S8675	13" Round Battery Backup - Empty Casing* - Brushed Nickel	045923086755	12/1
<b>Accessories</b>			
25-9003	Replacement Battery - 3 Pack Single Batteries	045923250934	48/3

Battery backup module and Blink fixture sold separately. \* Used to maintain consistent appearance with Blinks utilizing the battery back up.

Product sheet SA2030-1







## LED indoor utility fixtures that get the job done.

Even the most mundane spaces in the home or commercial space need to be safely lit. But this doesn't mean that efficiency and decor should suffer. Nuvo utility and basic LED ceiling and wall fixtures are perfect for baths, hallways, stairwells, work and laundry rooms, offices, closets—even kitchens and baths—can now be safely and efficiently lit with these stylish, yet simple, fixtures. And for added safety and security, our emergency battery backup ready line delivers Efficient LED light when it's needed most.

## And look good doing it.

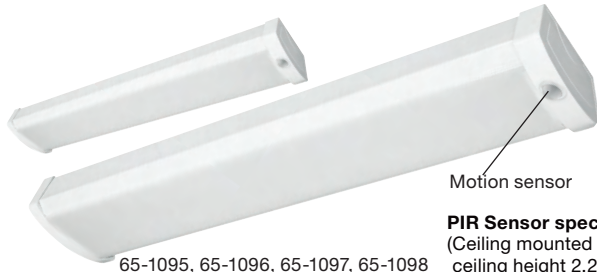
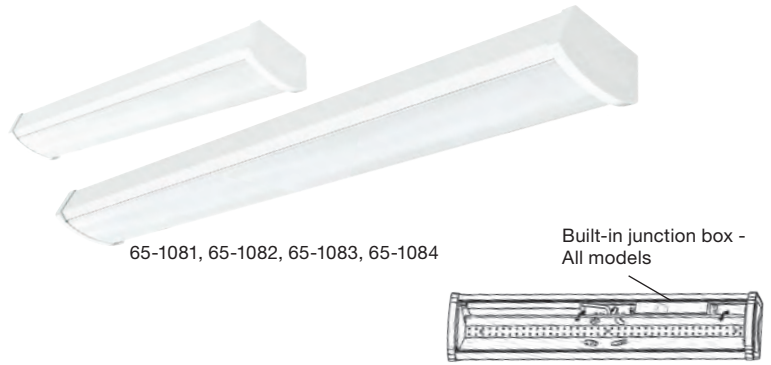
# LED ceiling wraps

## Applications

- Kitchens
- Work areas
- Hallways
- Laundry
- Closets

## Features

- 2' and 4' Lengths
- With or without pull chain or sensor
- Mounts directly to junction box or can be internally wired using built-in junction box
- Maintenance free—no bulb to change
- Perfect, even light distribution
- 90 CRI
- Slim design
- 50,000 hour life
- Operating temperature -20°C to 40°C
- Universal input voltage, 100-277V (Pull chain 120V only) 50/60Hz
- 3000K & 4000K options
- Certified for damp locations
- ENERGY STAR certified
- 5 Year warranty



**PIR Sensor specifications:**  
 (Ceiling mounted installation - ceiling height 2.2-4m / 7'-13')  
 • Detection Distance: 4-6m / 13'-20'  
 • No Detection Shut Off Time: 70 Seconds

## LED Ceiling Wraps



Item Number	Lamp Description	W	V	CRI	CCT	Lm	Efficiency (LM/W)	Life/ Hrs.	UPC	Pack
65-1081	2FT LED Ceiling Wrap Fixture	20	100-277	90	4000K	1600	80	50K	045923510816	4
65-1082	4FT LED Ceiling Wrap Fixture	40	100-277	90	4000K	3200	80	50K	045923510823	4
65-1083	2FT LED Ceiling Wrap Fixture	20	100-277	90	3000K	1600	80	50K	045923510830	4
65-1084	4FT LED Ceiling Wrap Fixture	40	100-277	90	3000K	3200	80	50K	045923510847	4

### LED Ceiling Wraps with On/Off Pull Chain

65-1091	2FT LED Ceiling Wrap Fixture with on/off pull chain	20	120	90	3000K	1600	80	50K	045923670916	4
65-1092	4FT LED Ceiling Wrap Fixture with on/off pull chain	40	120	90	3000K	3200	80	50K	045923670923	4

### LED Ceiling Wraps with Motion Sensor

65-1095	2FT LED Ceiling Wrap Fixture w/Motion sensor	20	100-277	90	3000K	1600	80	50K	045923670954	4
65-1096	4FT LED Ceiling Wrap Fixture w/Motion sensor	40	100-277	90	3000K	3200	80	50K	045923670961	4
65-1097	2FT LED Ceiling Wrap Fixture w/Motion sensor	20	100-277	90	4000K	1600	80	50K	045923670978	4
65-1098	4FT LED Ceiling Wrap Fixture w/Motion sensor	40	100-277	90	4000K	3200	80	50K	045923670985	4

Product sheet NU1352

# LED strip fixtures

Even, consistent light.  
Low maintenance.  
High efficiency.

## Applications

- Bathrooms
- Closets
- Kitchen
- Work areas
- Hallways
- Retail

## Features

- 4' Stand-alone model
- 1', 2', and 4' Connectable models (Includes male/male butt connector)
- Ceiling or wall mount
- Maintenance free—no bulb to change
- Consistent, even light distribution
- 120/277V, 50/60Hz
- 90 CRI
- Ultra-slim design
- Damp location
- 4000K
- Long Life—50,000 hours
- ENERGY STAR certified
- 5 Year warranty

Maximum number of units that can be connected:

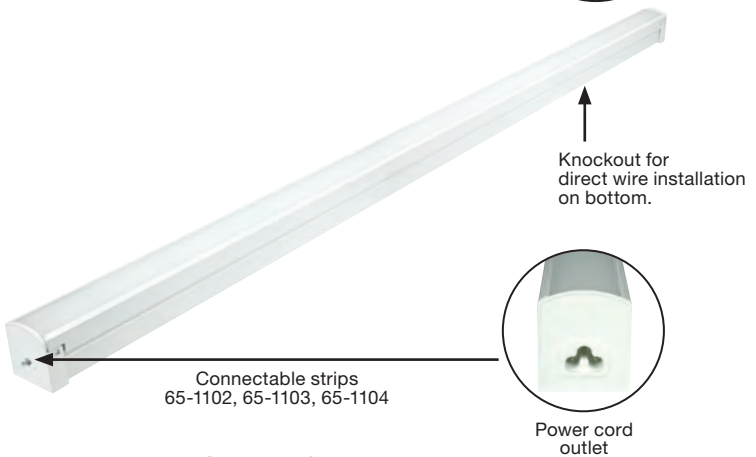
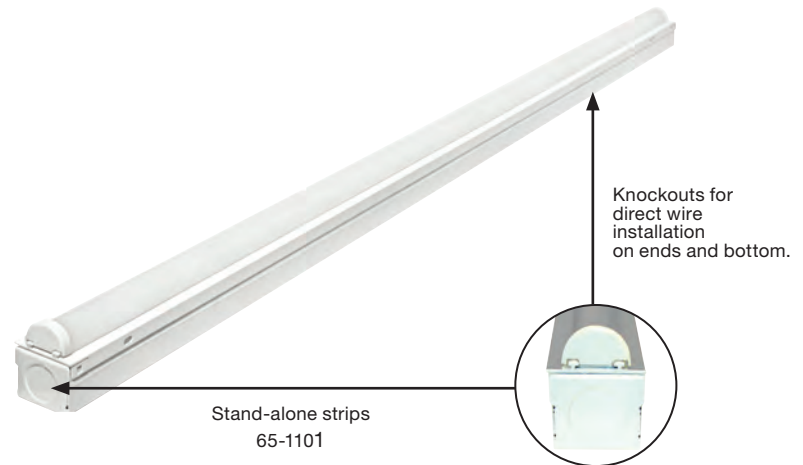
- 65-1102 - 27 units
- 65-1103 - 14 units
- 65-1104 - 9 units

## LED Strip Fixtures

Item Number	Size	W	Input Voltage	CCT	Lm	CRI (RA)	PF	Location	Installation	Linkable or Non	Life/Hrs.	UPC	Pack
65-1101	4FT	24	100-277	4000K	1800	90	0.9	Damp	surface mounting on ceiling or wall	Non Linkable	50K	045923511011	12/1
65-1102	1FT	12	120V	4000K	840	90	0.9	Damp	surface mounting on ceiling or wall	Linkable	50K	045923511028	12/1
65-1103	2FT	24	120V	4000K	1680	90	0.9	Damp	surface mounting on ceiling or wall	Linkable	50K	045923511035	12/1
65-1104	4FT	36	120V	4000K	2600	90	0.9	Damp	surface mounting on ceiling or wall	Linkable	50K	045923511042	12/1

### Accessories

65-1107	5FT power cord
65-1108	8 inch male/male joiner
65-1112	16 inch male/male joiner
65-1113	24 inch male/male joiner



### Accessories



Product sheet NU1356

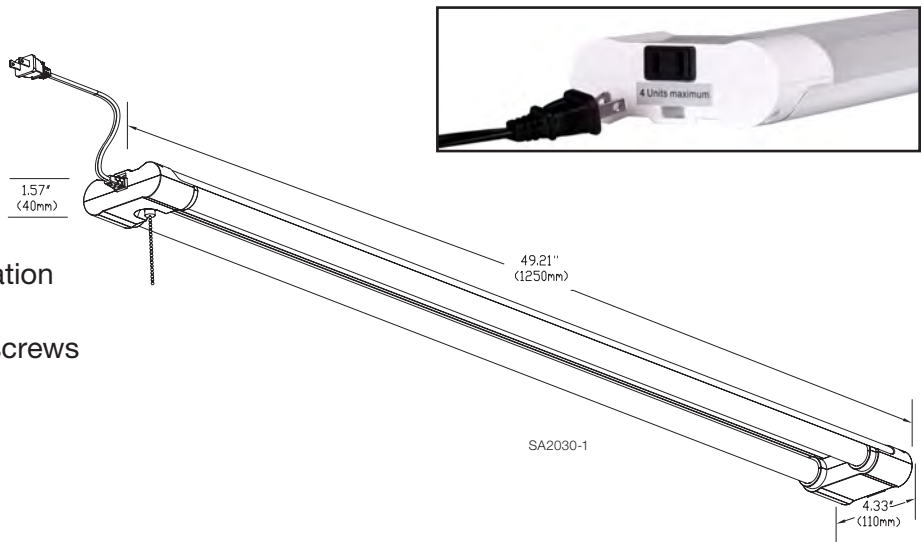
# LED Linkable shop light

## Applications:

- Residential/light commercial
- Workshops
- Garages
- Laundry rooms
- Sheds

## Features:

- White finish
- 42W LED light source for efficient operation
- Hanging or flush mount installation
- 5' Power cord
- 6" Hanging cables, mounting screws and drywall anchors included
- Linkable up to 4 fixtures
- On/off pull chain
- Easy installation
- Damp location rated
- 120V
- Long life—50,000 hours
- cETLus
- ENERGY STAR certified
- 5 Year warranty



UTILITY

## LED Linkable Shop Light

**42 WATTS**
**120 VOLT**
**4000 K**
**4200 LUMENS**
**50,000 HOURS**
**80 CRI**
**DAMP LOCATION**
**FC**
**RoHS COMPLIANT**
**ENERGY STAR**
**ETL US**

Item Number	Lamp Description	W	V	CRI	CCT	Lm	Life/Hrs.	UPC
62-928	42 watt; LED Shop Light; White Finish; 4000K	42	120V	80	4000K	4200	50K	045923680120

Product sheet NU1515

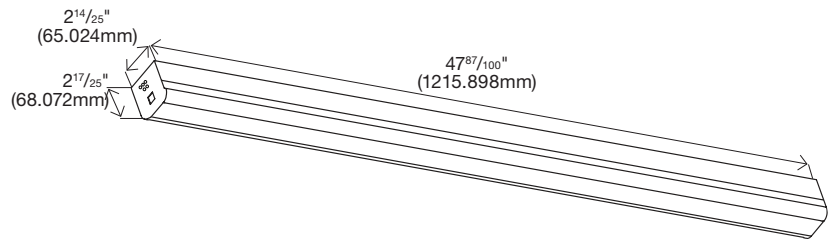
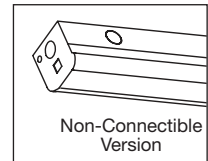


# LED slim strip lights

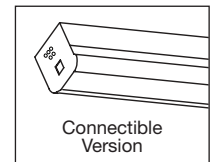
Connectable and knockout options.

## Features

- Maintenance free – no bulb to change
- Consistent, even light distribution
- Built-in j-box for easy installation
- Six 1/2" knockout access points on non-connectable versions
- Connectable version, connect up to 10 units (connector sold separately)
- White finish
- High reflectance lens for superior light uniformity
- 38 Watts
- 0-10V Dimming
- 4000K
- CRI 80+
- 120-277V
- 2KV Surge protection
- Operating temperature -20° to 40°C
- Approved for damp locations
- IP44
- 50,000 hour life
- cULus Listed
- DLC listed
- 5 Year warranty



## Accessories



## LED Slim Strip Lights



Item Number	Lamp Description	W	V	Finish	CRI	CCT	Lm	Life/Hrs.	UPC	Case Pack
65-1122	38W LED Slim Strip Light	38	120-277V	White	80	4000K	4565	50K	045923681967	6
65-1123	38W LED Slim Strip Light	38	120-277V	White	80	5000K	4860	50K	045923681974	6
65-1125	38W LED Slim Connectable Strip Light	38	120-277V	White	80	4000K	4565	50K	045923681981	6
65-1126	38W LED Slim Connectable Strip Light	38	120-277V	White	80	5000K	4860	50K	045923681998	6
Accessories										
65-1118	Quick Connector								045923681943	100
65-1119	18" Quick Cable								045923681950	100
65-1127	Suspension Kit								045923682148	48

Product sheet NU1558

# LED slim and wide strip lights - connectability



Slim and wide connectible strips are available with "jumper cable" connection or male/male quick connector.

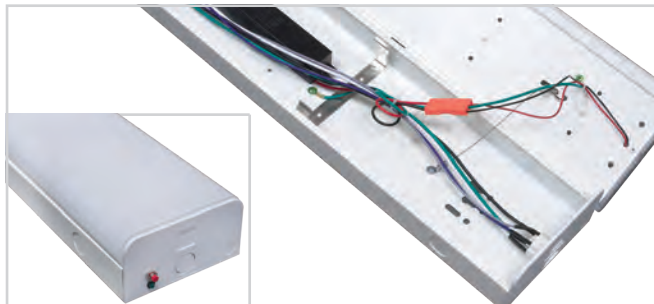
Knockout option for standalone units or traditional conduit connection.



Male/male quick connector allows for almost seamless tandem installation.



Connectable up to 10 units, depending on configuration.



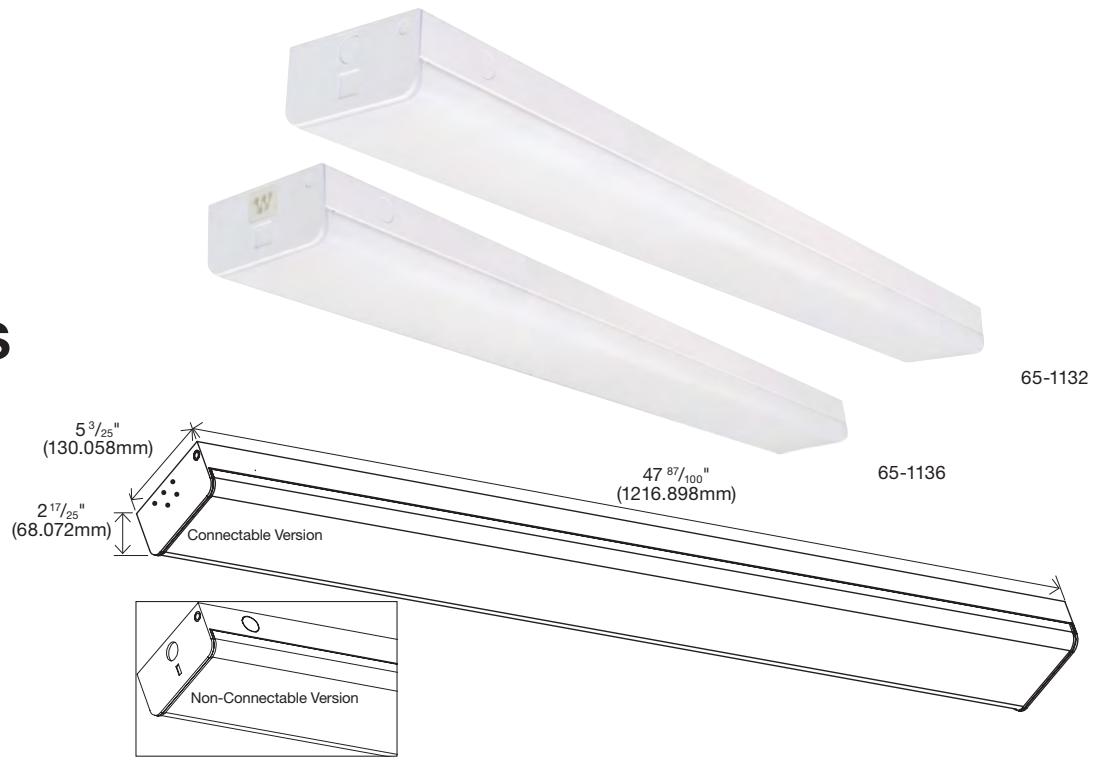
## Emergency battery backup:

Wide LED connectable strip fixtures are available with integrated Emergency Battery Backup.

Battery mode:

- 90 Minute run time
- 8W ~ 1000 Lumens

# LED Wide strip lights



## LED Wide Strip Lights



Item Number	Lamp Description	W	V	Finish	CRI	CCT	Lm	Life/Hrs.	UPC	Case Pack
65-1132	38W LED Wide Strip Light	38	120-277V	White	80	4000K	4829	50K	045923682001	6
65-1133	38W LED Wide Strip Light	38	120-277V	White	80	5000K	4909	50K	045923682018	6
65-1135	38W LED Wide Connectable Strip Light	38	120-277V	White	80	4000	4829	50K	045923682025	6
65-1136	38W LED Wide Connectable Strip Light	38	120-277V	White	80	5000K	4909	50K	045923682032	6
With Built-In Sensor										
65-1142	40W LED Wide Strip Light With Built In Sensor	40	120-277V	White	80	4000K	4829	50K	045923682049	6
65-1143	40W LED Wide Strip Light With Built In Sensor	40	120-277V	White	80	5000K	4909	50K	045923682056	6
65-1145	40W LED Wide Connectable Strip Light With Built In Sensor	40	120-277V	White	80	4000K	4829	50K	045923682063	6
65-1146	40W LED Wide Connectable Strip Light With Built In Sensor	40	120-277V	White	80	5000K	4909	50K	045923682070	6
With Emergency Battery Back Up										
65-1152	40W LED Emergency Battery Back Up Wide Strip Light	40	120-277V	White	80	4000K	4829	50K	045923682087	6
65-1153	40W LED Emergency Battery Back Up Wide Strip Light	40	120-277V	White	80	5000K	4909	50K	045923682094	6
65-1155	40W LED Emergency Battery Back Up Wide Connectable Strip Light	40	120-277V	White	80	4000K	4829	50K	045923682100	6
65-1156	40W LED Emergency Battery Back Up Wide Connectable Strip Light	40	120-277V	White	80	5000K	4909	50K	045923682117	6
Accessories										
65-1118	Quick Connector								045923681943	100
65-1119	18" Quick Cable								045923681950	100
65-1137	Suspension Kit								045923682155	48

Product sheet NU1559

# LED wide strip lights - microwave motion sensor

One connectable sensor unit can control up to 7 units at 120V and 10 units at 277V.

## Settings:

By selecting the combination on the DIP switches, sensor data can be precisely set for each specific application.

ON ↑     		1	2	
	I	ON	ON	100%
	II	ON	-	75%
	III	-	ON	50%
	IV	-	-	10%

### Detection area

Detection area can be reduced by selecting the combination on the DIP switches to fit precisely each application.

ON ↑     		3	4	5	
	I	ON	ON	ON	5S
	II	-	ON	ON	30S
	III	ON	-	ON	90S
	IV	-	-	ON	3min
	V	ON	ON	-	20min
	VI	-	-	-	+∞

### Hold time

Refers to the time period the lamp remains at 100% illumination after no motion detected.

ON ↑     		6	7	8	
	I	ON	ON	ON	0S
	II	-	ON	ON	5S
	III	ON	-	ON	5min
	IV	-	-	ON	10min
	V	ON	ON	-	30min
	VI	-	ON	-	1h
	VII	-	-	-	Disable

### Stand-by period

Refers to the time period the lamp remains at a low light level before it completely switches off in the long absence of people. When set to "+∞" mode, the low light is maintained until motion is detected.

ON ↑     		1	2	3	4	
	I	-	-	ON	ON	2Lux
	II	-	-	-	ON	5Lux
	III	-	ON	ON	-	10Lux
	IV	-	-	ON	-	25Lux
	V	-	ON	-	-	50Lux
	VI	ON	-	-	-	100Lux
	VII	-	-	-	-	Disable

### Daylight sensor

The sensor can be set to only allow the lamp to illuminate below a defined ambient brightness threshold.

When set to Disable mode, the daylight sensor will switch on the lamp when motion is detected regardless of ambient light level.

50lux, 30lux: twilight operation, 10lux, 5lux: darkness operation only.

Note that daylight sensor is active only when lamp totally switches off.

ON ↑     		5	6	
	I	ON	ON	50%
	II	-	ON	30%
	III	ON	-	20%
	IV	-	-	10%

### Stand-by dimming level

The low light level you would like to have after the hold time in the long absence of people.

# Glamour LED flush fixtures

Even, consistent light.  
Low maintenance.  
High efficiency.

## Applications

- Kitchen
- Bathroom
- Hallway
- Closets
- Office
- Utility

## Features

- Dimmable
- 3000K
- Long Life—30,000 hours
- Durable white polymer cover
- Damp location
- 3 Year warranty



## Glamour LED Flush Fixtures



Item Number	Lamp Description	W	V	CRI	CCT	Lm	Life/Hrs.	Dimensions	UPC	Pack
62-1035	LED GLAMOUR BN 10" FLUSH - Brushed Nickel	18	120	90	3000K	1440	30K	10" W x 3 3/4" H	045923410352	6
62-1036	LED GLAMOUR BN 13" FLUSH - Brushed Nickel	25	120	90	3000K	2000	30K	13" W x 3 3/4" H	045923410369	6
62-1037	LED GLAMOUR BN 17" FLUSH - Brushed Nickel	25	120	90	3000K	2000	30K	17" W x 3 3/4" H	045923410376	4
62-1038	LED GLAMOUR BN 24" FLUSH - Brushed Nickel	39	120	90	3000K	3120	30K	24" W x 3 3/4" H	045923410383	2
62-1041	LED GLAMOUR BN 32" OVAL - Brushed Nickel	52	120	90	3000K	4160	30K	32 1/2" L x 18" W x 4" H	045923410413	1
62-1435	LED GLAMOUR BN 10" FLUSH - Black	18	120	90	3000K	1440	30K	10" W x 3 3/4" H	045923680205	6
62-1436	LED GLAMOUR BN 13" FLUSH - Black	25	120	90	3000K	2000	30K	13" W x 3 3/4" H	045923680212	6
62-1437	LED GLAMOUR BN 17" FLUSH - Black	25	120	90	3000K	2000	30K	17" W x 3 3/4" H	045923680229	4
62-1438	LED GLAMOUR BN 24" FLUSH - Black	39	120	90	3000K	3120	30K	24" W x 3 3/4" H	045923680236	2
62-1441	LED GLAMOUR BN 32" OVAL - Black	52	120	90	3000K	4160	30K	32 1/2" L x 18" W x 4" H	045923680267	1

Product sheet NU1558

# Glamour linear LED ceiling fixtures

Even, consistent light.  
Low maintenance.  
High efficiency.

## Applications

- Kitchen
- Bathroom
- Hallway
- Office
- Utility

## Features

- Dimmable
- 3000K
- Long Life—30,000 hours
- Durable white polymer lens
- Damp location
- 3 Year warranty



62-1039



62-1040



62-1439



62-1440

UTILITY

## Glamour Linear LED Ceiling Fixtures



Item Number	Lamp Description	W	V	CRI	CCT	Lm	Life/Hrs.	Dimensions	UPC	Pack
62-1039	LED GLAMOUR BN 25" LINEAR - Brushed Nickel	26	120	90	3000K	2080	30K	25" L x 12" W x 4 1/2" H	045923410390	3
62-1040	LED GLAMOUR BN 50" LINEAR - Brushed Nickel	52	120	90	3000K	4160	30K	50" L x 12" W x 4 1/2" H	045923410406	1
62-1439	LED GLAMOUR BN 25" LINEAR - Black	26	120	90	3000K	2080	30K	25" L x 12" W x 4 1/2" H	045923680243	3
62-1440	LED GLAMOUR BN 50" LINEAR - Black	52	120	90	3000K	4160	30K	50" L x 12" W x 4 1/2" H	045923680250	1

Product sheet NU1372



## Glamour



Brushed Nickel Finish  
62-1045 shown



Black Finish  
62-1445 shown

# Glamour & Crispo LED wall sconces

Even, consistent light.

Low maintenance.

High efficiency.

### Applications

- Kitchen
- Bathroom
- Hallway
- Office

### Features

- Dimmable
- 10 Watts - 75 Watt equivalent
- 3000K
- Long Life—30,000 hours
- Durable white polymer cover
- Damp location
- ADA Compliant
- 3 Year warranty

## Crispo



White Finish  
62-1046 shown

### Glamour & Crispo LED Wall Sconces



Item Number	Lamp Description	W	V	CRI	CCT	Lm	Life/ Hrs.	Dimensions	UPC	Pack
62-1045	LED GLAMOUR BN WALL SCONCE - Brushed Nickel	10	120	90	3000K	800	30K	9" W x 10 1/2" H x 4" Ext.	045923410451	1
62-1445	LED GLAMOUR BN WALL SCONCE - Black	10	120	90	3000K	800	30K	9" W x 10 1/2" H x 4" Ext.	045923680304	1
62-1046	LED CRISPO WHITE WALL SCONCE	10	120	90	3000K	800	30K	9" W x 10 1/2" H x 4" Ext.	045923410468	1

Product sheet NU1369

# Glamour & Crispo LED vanity fixtures

Even, consistent light.  
Low maintenance.  
High efficiency.

## Applications

- Kitchen
- Bathroom
- Hallway
- Office

## Features

- Dimmable
- 3000K
- Long Life—30,000 hours
- Durable white polymer lens
- Damp location
- ADA compliant
- 3 Year warranty

## Glamour



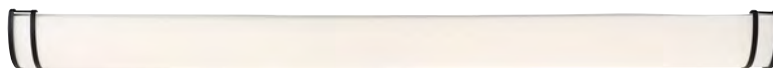
Brushed Nickel Finish  
62-1031 shown



Brushed Nickel Finish  
62-1032 shown



Black Finish  
62-1431 shown



Black Finish  
62-1432 shown

## Crispo



White Finish  
62-1033 shown



White Finish  
62-1034 shown

## Glamour & Crispo LED Vanity Fixtures



Item Number	Lamp Description	W	V	CRI	CCT	Lm	Life/Hrs.	Dimensions	UPC	Pack
62-1031	LED GLAMOUR 25" BN VANITY	26	120	90	3000K	2080	30K	25" W x 5 1/2" H x 3" Ext.	045923410314	6
62-1032	LED GLAMOUR 49" BN VANITY	52	120	90	3000K	4160	30K	49" W x 5 1/2" H x 3" Ext.	045923410321	4
62-1431	LED GLAMOUR 25" BK VANITY	26	120	90	3000K	2080	30K	25" W x 5 1/2" H x 3" Ext.	045923680182	6
62-1432	LED GLAMOUR 49" BK VANITY	52	120	90	3000K	4160	30K	49" W x 5 1/2" H x 3" Ext.	045923680199	4
62-1033	LED CRISPO 25" WHITE VANITY	26	120	90	3000K	2080	30K	25" W x 5 1/2" H x 3" Ext.	045923410338	6
62-1034	LED CRISPO 49" WHITE VANITY	52	120	90	3000K	4160	30K	49" W x 5 1/2" H x 3" Ext.	045923410345	4

Product sheet NU1367

# Link LED fixtures

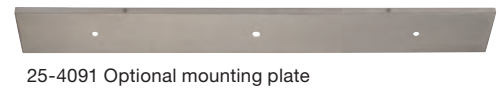
Even, consistent light.  
Low maintenance.  
High efficiency.

## Applications

- Kitchen
- Bathroom
- Hallway
- Office

## Features

- Dimmable
- 3000K
- 90 CRI
- Long Life—30,000 hours
- Damp location
- ADA compliant wall sconces
- 3 Year warranty



## Link LED Fixtures



Item Number	Lamp Description	Finish	W	Bulb Type	CRI	Lm	Dimensions	UPC	Pack
62-2936	Double Tube Wall Sconce	Br. Nickel/Satin White Glass	24	LED Mod.	90	1640	4½"W x 21"H x 3 ¾" Ext.	045923679360	1/8
62-2934	Single Tube Wall Sconce	Br. Nickel/Satin White Glass	12	LED Mod.	90	820	4½"W x 11½"H x 3 ¾" Ext.	045923679346	1/12
62-2932	Single Tube Pendant	Br. Nickel/Satin White Glass	12	LED Mod.	90	820	2¾"H"W x 10¾"H, Wire 12'	045923679322	1/8
25-4091	3-Light Canopy Mounting Plate	Br. Nickel					36"W x 5½"H	045923240911	1

Product sheet NU1435

# Button round LED flush fixtures

Even, consistent light.  
Low maintenance.  
High efficiency.

## Applications

- Kitchen
- Bathroom
- Hallway
- Office

## Features

- Dimmable
- 3000K
- Long Life—30,000 hours
- Satin White glass
- Damp location
- 3 Year warranty



62-1042



62-1442



62-1043



62-1443



62-1044



62-1444

## Button Round LED Flush Fixtures



Item Number	Lamp Description	W	V	CRI	CCT	Lm	Life/Hrs.	Dimensions	UPC	Pack
62-1042	LED BUTTON BN 11" FLUSH - BRUSHED NICKEL	18	120	90	3000K	1440	30K	11" W x 3 7/8" H	045923410420	4
62-1043	LED BUTTON BN 13" FLUSH - BRUSHED NICKEL	18	120	90	3000K	1440	30K	13 3/8" W x 4" H	045923410437	3
62-1044	LED BUTTON BN 17" FLUSH - BRUSHED NICKEL	25	120	90	3000K	2000	30K	17" W x 5" H	045923410444	3
62-1442	LED BUTTON BN 11" FLUSH - BLACK	18	120	90	3000K	1440	30K	11" W x 3 7/8" H	045923680274	4
62-1443	LED BUTTON BN 13" FLUSH - BLACK	18	120	90	3000K	1440	30K	13 3/8" W x 4" H	045923680281	3
62-1444	LED BUTTON BN 17" FLUSH - BLACK	25	120	90	3000K	2000	30K	17" W x 5" H	045923680298	3

Product sheet NU1371

# Pi LED flush fixtures

Sleek design.  
Low maintenance.  
High efficiency.

## Applications

- Kitchen
- Bathroom
- Hallway
- Office
- Utility

## Features

- Dimmable
- Brushed Nickel or Black finish
- Etched Glass
- 3000K
- Long Life - 30,000 hours
- Damp location
- 3 Year warranty



## Pi LED Flush Fixtures



Item#	Description	Finish	Light Source	Watts	Incand. Equiv.	Volts	Width	Height	CCT	Lumens	CRI	Cert. Type
62-458	9" Flush	Brushed Nickel	LED	18	75W	120	9"	3 1/8"	3000K	1,500*	90	Damp
62-459	11" Flush	Brushed Nickel	LED	25	75W	120	11"	3 1/8"	3000K	2,125*	90	Damp
62-460	14" Flush	Brushed Nickel	LED	25	75W	120	14"	3 1/8"	3000K	2,125*	90	Damp
62-468	9" Flush	Black	LED	18	75W	120	9"	3 1/8"	3000K	1,500*	90	Damp
62-469	11" Flush	Black	LED	25	75W	120	11"	3 1/8"	3000K	2,125*	90	Damp
62-470	14" Flush	Black	LED	25	75W	120	14"	3 1/8"	3000K	2,125*	90	Damp

\*Lumens measured at LED source.

# 12" and 14" Range voltage operation (120-277V) LED flush fixtures

90CRI, 3000K

## Applications

- Kitchens
- Baths
- Hallways
- Closets
- Office

## Features

- 75W and 100W equivalent
- 18W and 24W - over 75% energy savings
- 120-277V, 50/60Hz
- 3000K
- Dimmable (120V only)
- Damp location
- Frosted Twist & Lock Glass
- Long Life—50,000 hours
- 5 Year warranty



62-786 12" / 62-788 14"  
Brushed Nickel Finish shown



62-787 12" / 62-789 14"  
Mahogany Bronze Finish shown



LED module

UTILITY

## LED Flush Mount Fixtures



Item Number	Description	W	V	CRI	CCT	Lm	Beam	Dimension	Life/Hrs.	UPC	Pack
62-786	12" LED Flush Mount / Brushed Nickel	18	120-277	90	3000K	1080	90°	11 3/4" W x 4 1/2" H	50K	045923327865	4/1
62-787	12" LED Flush Mount / Mahogany Bronze	18	120-277	90	3000K	1080	90°	11 3/4" W x 4 1/2" H	50K	045923327872	4/1
62-788	14" LED Flush Mount / Brushed Nickel	24	120-277	90	3000K	1440	90°	14" W x 5 1/2" H	50K	045923327889	4/1
62-789	14" LED Flush Mount / Mahogany Bronze	24	120-277	90	3000K	1440	90°	14" W x 5 1/2" H	50K	045923327896	4/1

Product sheet NU1308



# 7" and 10" LED disk light

## Applications

- Kitchen
- Bathroom
- Hallway
- Closets
- Office

## Features

- 10.5 Watts (62-1161, 62-1162, 62-1163, 62-1164)  
60 Watt equivalent
- 12 Watts (62-1165, 62-1166, 62-1167, 62-1168)  
75 Watt equivalent
- Mounts to 3" & 4" junction boxes -  
includes cross bar
- 90 CRI
- Dimmable
- Durable white polymer lens
- Damp location
- Long life—50,000 hours
- Complies with NEC 410.16 (C)(5)
- Energy Star Certified
- 5 Year warranty



62-1161  
7" White Finish shown



62-1162  
7" Brushed Nickel Finish shown



62-1163  
7" Mahogany Bronze Finish shown

## LED Disk Lights



Item Number	Description	W	V	CRI	CCT	Lm	Light Source	Finish	Life/ Hrs.	Dimensions	UPC	Pack
62-1161	7" LED disk light	10.5	120	90	3000K	578	LED Module	White	50K	7 1/16" W x 1 1/16" H	045923639715	12/1
62-1162	7" LED disk light	10.5	120	90	3000K	578	LED Module	Brushed Nickel	50K	7 1/16" W x 1 1/16" H	045923639722	12/1
62-1163	7" LED disk light	10.5	120	90	3000K	578	LED Module	Mahogany Bronze	50K	7 1/16" W x 1 1/16" H	045923639739	12/1
62-1164	7" LED disk light	10.5	120	90	4000K	578	LED Module	White	50K	7 1/16" W x 1 1/16" H	045923639746	12/1
62-1165	10" LED disk light	12	120	90	3000K	700	LED Module	White	50K	9 13/16" W x 1 7/16" H	045923639753	12/1
62-1166	10" LED disk light	12	120	90	3000K	700	LED Module	Brushed Nickel	50K	9 13/16" W x 1 7/16" H	045923639760	12/1
62-1167	10" LED disk light	12	120	90	3000K	700	LED Module	Mahogany Bronze	50K	9 13/16" W x 1 7/16" H	045923639777	12/1
62-1168	10" LED disk light	12	120	90	4000K	760	LED Module	White	50K	9 13/16" W x 1 7/16" H	045923639784	12/1

Product sheet NU1447

# 7" and 10" High lumen LED disk light

## Applications

- Kitchen
- Bathroom
- Hallway
- Office

## Features

- 16.5 Watts = 75 Watt equivalent
- 21.5 Watts = 100 Watt equivalent
- Mounts to 3" & 4" junction boxes - includes crossbar
- 90 CRI
- Dimmable
- Wet location - 7" models
- Damp location - 10" models and all models with sensor
- Durable white polymer lens
- Long life—50,000 hours
- Complies with NEC 410.16 (C)(5) with occupancy sensor†
- Energy Star Certified
- 5 Year warranty



62-1261  
7" White Finish shown



62-1262  
7" Brushed Nickel Finish shown

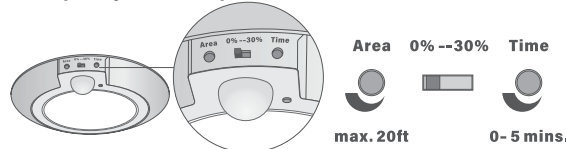


62-1267  
10" Mahogany Bronze Finish shown



62-1313  
7" & 10" with Occupancy Sensor - White Finish shown  
†Complies with NEC 410.16 (C)(5).

## Occupancy sensor operation



There are 3 sensor settings on the side. Use a flat screwdriver to adjust.



① **Area** Sensor activation area can be set for a diameter of 0ft to a maximum of 20 ft



② **0% - 30%** The fixture can be set at default brightness of 0 (not lit in OFF condition) or 30% (maintain 30% of full output in OFF condition)



③ **Time** Time options from 0 to 5 minutes for ON time after activation



## LED Disk Lights

Item Number	Description	W	V	Light Source	CCT	Lm	CRI	Finish	Life/Hrs.	UPC	Pack/Mstr.
62-1261*	7" LED Disk Light	16.5	120	LED Module	3000K	1000	>90	White	50K	045923622144	12
62-1262*	7" LED Disk Light	16.5	120	LED Module	3000K	1000	>90	Brushed Nickel	50K	045923622151	12
62-1263*	7" LED Disk Light	16.5	120	LED Module	3000K	1000	>90	Mahogany Bronze	50K	045923622168	12
62-1264*	7" LED Disk Light	16.5	120	LED Module	4000K	1050	>90	White	50K	045923622175	12
62-1265**	10" LED Disk Light	21.5	120	LED Module	3000K	1200	>90	White	50K	045923622182	12
62-1266**	10" LED Disk Light	21.5	120	LED Module	3000K	1200	>90	Brushed Nickel	50K	045923622199	12
62-1267**	10" LED Disk Light	21.5	120	LED Module	3000K	1200	>90	Mahogany Bronze	50K	045923622205	12
62-1268**	10" LED Disk Light	21.5	120	LED Module	4000K	1260	>90	White	50K	045923622212	12
<b>with Occupancy Sensor</b>											
62-1310**†	7" LED Disk Light w/ Occ	16.5	120	LED Module	3000K	1000	>90	White	50K	045923682285	12
62-1312**†	7" LED Disk Light w/ Occ	16.5	120	LED Module	4000K	1050	>90	White	50K	045923682308	12
62-1311**†	10" LED Disk Light w/ Occ	21.5	120	LED Module	3000K	1200	>90	White	50K	045923682292	12
62-1313**†	10" LED Disk Light w/ Occ	21.5	120	LED Module	4000K	1260	>90	White	50K	045923682315	12

Product sheet NU1447

# 11", 14" and 19" LED flush mount round fixtures with or without occupancy sensor

## Applications

- Kitchen
- Bathroom
- Hallway
- Closets
- Office

## Features

- Dimmable (without sensor only)
- 11" – 75 Watt equivalent
- 14" – 100 Watt equivalent
- 19" – 150 Watt equivalent
- Durable white cover (PMMA)
- Damp location
- 3000K
- 90 CRI
- 5 Year warranty
- Long life – 50,000 hours
- Complies with NEC 410.16 (C)(5)  
models 62-745, 62-747, 62-746, 62-748
- Energy Star Certified



62-745  
11" Shown



62-746  
14" Shown



62-766  
19" Shown

## Occupancy Sensor Specifications

- Input current:  $\geq 25\text{mA}$
- 8 pin DIP switch setting, multiple options to meet different customer demands
- Detection range up to 10m in diameter
- Mounting height: 3~6m
- Operation temperature:  $-20^{\circ}\text{C} \sim +70^{\circ}\text{C}$
- RoHs compliant

## LED flush mount fixtures



Item Number	Description	W	V	Light Source	CCT	Lumens	CRI	Life/ Hours	Dimensions	UPC
62-745	11" LED flush mount	16	120	LED Module	3000K	990**	>90	50,000	11 x 11 x 3 1/2	045923517457
62-746	14" LED flush mount	20	120	LED Module	3000K	1230**	>90	50,000	14 x 14 x 3 1/2	045923517464
62-765	19" LED flush mount	32	120	LED Module	3000K	1950**	>90	50,000	19 x 19 x 4 3/4	045923517655
62-747	11" LED flush mount with occupancy sensor	16.5	120	LED Module	3000K	990**	>90	50,000	11 x 11 x 3 1/2	045923517471
62-748	14" LED flush mount with occupancy sensor	20.5	120	LED Module	3000K	1230**	>90	50,000	14 x 14 x 3 1/2	045923517488
62-766	19" LED flush mount with occupancy sensor	32.5	120	LED Module	3000K	1950**	>90	50,000	19 x 19 x 4 3/4	045923517662

\*\*Lumens measured at LED source

# 11" and 14" 120-277V 0-10V Dimming

## Applications

- Kitchen
- Bathroom
- Hallway
- Closets
- Office

## Features

- 12.5 Watts (62-791)  
75 Watt equivalent
- 16.5 Watts (62-792)  
100 Watt equivalent
- 0-10V Dimming
- 3000K
- CRI: >90
- 5 Year warranty
- Long life – 50,000 hours
- Durable white polymer cover
- Damp location



62-791  
11" LED flush mount fixture



62-792  
14" LED flush mount fixture

## LED flush mount fixtures



Item Number	Description	Finish	Cover	Watts	Light Source	cETLus	CCT	Lumens	CRI	Hours	Width	Height
62-791	11" LED flush mount	White	Acrylic	12.5	LED Module	Damp	3000K	875*	>90	50,000	11 5/8"	3 1/8"
62-792	14" LED flush mount	White	Acrylic	16.5	LED Module	Damp	3000K	1245*	>90	50,000	14"	3 1/2"

\*\*Lumens measured at LED source

Product sheet NU1576

See separate warranty for complete terms and conditions.

**SATCO** | **NUVO**

www.satco.com

65

# 11" and 14" LED flush mount square fixtures with or without occupancy sensor

## Applications

- Kitchen
- Bathroom
- Hallway
- Closets
- Office

## Features

- Dimmable (without sensor only)
- 11" – 75 Watt equivalent
- 14" – 100 Watt equivalent
- 3000K
- 90 CRI
- 5 Year warranty
- Long life – 50,000 hours
- Damp location
- Durable white cover (PMMA)

## Occupancy Sensor Specifications

- Input current:  $\geq 25\text{mA}$
- 8 pin DIP switch setting, multiple options to meet different customer demands
- Detection range up to 10m in diameter
- Mounting height: 3~6m
- Operation temperature:  $-20^{\circ}\text{C} \sim +70^{\circ}\text{C}$
- RoHs compliant



62-1095, 62-1097  
11" LED flush mount fixture



62-1096, 62-1098  
14" LED flush mount fixture

## LED flush mount fixtures

Item Number	Descriptions	W	V	Light Source	CCT	Lumens	CRI	Life/ Hours	Dimensions	UPC
62-1095	11" LED flush mount	16	120	LED Module	3000K	990**	>90	50,000	11 x 11 x 3 1/4	045923510953
62-1096	14" LED flush mount	20	120	LED Module	3000K	1230**	>90	50,000	14 x 14 x 3 1/4	045923510960
62-1097	11" LED flush mount with occupancy sensor	16.5	120	LED Module	3000K	990**	>90	50,000	11 x 11 x 3 1/4	045923510977
62-1098	14" LED flush mount with occupancy sensor	20.5	120	LED Module	3000K	1230**	>90	50,000	14 x 14 x 3 1/4	045923510984

\*\*Lumens measured at LED source.

Product sheet NU1461



# 11" and 14" Range voltage operation (120-277V) LED flush fixtures

90CRI, 3000K

## Applications

- Kitchens
- Baths
- Hallways
- Closets
- Office

## 11" 62-795

### Features

- 11" Flush mount fixture
- 12.5 Watts—over 80% energy savings
- 120/277V, 50/60Hz
- Dimmable (120V only)\*
- Damp location
- Durable white cover (PMMA)

## 14" 62-796

### Features

- 14" Flush mount fixture
- 16.5 Watts—over 80% energy savings
- 120/277V, 50/60Hz
- Dimmable (120V only)\*
- Damp location
- Durable white cover (PMMA)



62-795  
11" LED flush mount fixture



62-796  
14" LED flush mount fixture

UTILITY

## LED Flush Mount Fixtures



Item Number	Lamp Description	W	V	CRI	CCT	Lm	Bm	Dimensions	Life/Hrs.	UPC	Pack
62-795	11" LED Flush Mount	12.5	120-277	90	3000K	891	90°	11 5/8" W x 3 1/8" H	40K	045923327957	6/1
62-796	14" LED Flush Mount	16.5	120-277	90	3000K	1120	90°	14" W x 3 1/2" H	40K	045923327964	4/1

Product sheet NU1280



# 14" Range voltage operation (120-277V) LED flush fixtures with sensors

90CRI, 3000K

## Applications

- Kitchens
- Baths
- Hallways
- Closets
- Office

## 14" Occupancy sensor

### 62-797 Features

- Occupancy Sensor—provides automatic ON/OFF switching
- 14" Flush mount fixture
- 16.5 Watts—over 80% energy savings
- 120/277V, 50/60Hz
- Damp location
- Durable polymer cover

## 14" Vacancy sensor

### 62-798 Features

- 24/7 Sensor step-down operation: Unoccupied, 50% light / occupied, 100% light (Always on)
- 14" Flush mount fixture
- 16.5 Watts—over 80% energy savings
- 120/277V, 50/60Hz
- Damp location
- Durable white cover (PMMA)



## LED Flush Mount Fixtures



Item Number	Lamp Description	W	V	CRI	CCT	Lm	Bm	Dimensions	Life/Hrs.	UPC	Pack
62-797	14" LED Flush Mount w/ occupancy sensor	16.5	120-277	90	3000K	960	90°	14" W x 3 1/2" H	40K	045923327971	4/1
62-798	14" LED Flush Mount w/ step down sensor	16.5	120-277	90	3000K	960	90°	14" W x 3 1/2" H	40K	045923327988	4/1

Product sheet NU1292

# 14" LED flush mount

## Emergency battery back-up ready (EMR)

### Applications

- Kitchens
- Bedrooms
- Baths
- Hallways
- Stairwells
- Office

### Features

- 100W equivalent
- 20 Watts—over 80% energy savings
- 120–277V, 50/60Hz
- High color rendition (CRI 90+)
- Dimmable – 120V
- Dimming range: 20% -100%
- Damp location (Dry location only with battery)
- Operating temperature: -17°C to 45°C
- White finish with durable white cover (PMMA)
- 5 Year warranty

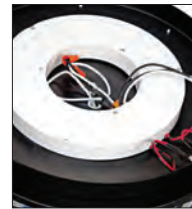
### Dimensions

Width: 14", Height: 4 3/4"

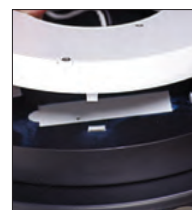
Battery back-up ready (EMR).  
Indicator light and test button  
Included with battery back-up disk  
(sold separately).



### Emergency battery back-up disk (not included)



The emergency battery back-up disk, Satco model S9299 (120V) or Satco model S9780 (277V) (not included), easily mounts inside the pan of this fixture (below).  
S9299  
S9780



### LED Flush Mount Utility Fixtures



Item Number	Description	W	V	Light Source	CCT	Lm	CRI	Life/Hrs.	UPC	Pack
62-991*	20W/LED/14"UTILITY/30K/WH	20	120-277	LED Module	3000K	1300	90	50K	045923329913	4/1

#### Accessories

25-9002	Replacement Battery - 3 Pack Wrapped Batteries								045923250927	48/3
---------	--	--	--	--	--	--	--	--	--------------	------

Not suitable for damp locations if used with optional battery back-up module.

Product sheet NU1331

# LED flush mount emergency battery back-up ready (EMR)

EMR fixtures by Nuvo Lighting: Efficiency, safety and style all in one package.

This all-new collection of flush mount fixture combines the latest in LED technologies, current safety standards and adds clean, contemporary design to create one of the most advanced fixtures in the industry. Each fixture is manufactured to easily accept an emergency battery back-up disk (sold separately), which quickly transforms these attractive flush fixtures into functional emergency lighting devices. These fixtures allow safety specification to be met without sacrificing design or efficiency.

## Features

- 100 Watt equivalent
- 20 Watts—over 80% energy savings
- 120-277V, 50/60Hz
- 90 CRI
- Dimmable—120V only
- Dimming range 20%-100%
- Damp locations (Dry location only with battery)
- Operating temperature -17°C to 45°C
- 5 Year warranty



62-977



62-981



62-978



62-982



62-975



62-971



62-976



62-972

3000  
K

20  
WATTS

REPLACES  
100W

DIMMABLE

EMR  
EMERGENCY  
READY

90  
CRI

DAMP  
LOCATION



## LED Flush Mount Utility Fixtures

Item Number	Description	W	Finish	Light Source	CCT	Lm	CRI	Life/Hrs.	Dimensions	UPC	Pack
62-971	20W/LED/3000K/90CRI/120-277V	20	Brushed Nickel	LED Module	3000K	1660	90	40K	15" W x 4" H	045923329715	2/1
62-972	20W/LED/3000K/90CRI/120-277V	20	Aged Bronze	LED Module	3000K	1660	90	40K	15" W x 4" H	045923329722	2/1
62-975	20W/LED/3000K/90CRI/120-277V	20	Polished Nickel	LED Module	3000K	1660	90	40K	14" W x 4 5/8" H	045923329753	2/1
62-976	20W/LED/3000K/90CRI/120-277V	20	Aged Bronze	LED Module	3000K	1660	90	40K	14" W x 4 5/8" H	045923329760	2/1
62-977	20W/LED/3000K/90CRI/120-277V	20	Brushed Nickel	LED Module	3000K	1660	90	40K	14" W x 5 3/8" H	045923329777	2/1
62-978	20W/LED/3000K/90CRI/120-277V	20	Aged Bronze	LED Module	3000K	1660	90	40K	14" W x 5 3/8" H	045923329784	2/1
62-981	20W/LED/3000K/90CRI/120-277V	20	Polished Nickel	LED Module	3000K	1660	90	40K	15" W x 4 1/2" H	045923329814	2/1
62-982	20W/LED/3000K/90CRI/120-277V	20	Aged Bronze	LED Module	3000K	1660	90	40K	15" W x 4 1/2" H	045923329821	2/1

Not suitable for damp location if used with optional battery backup disk.

Product sheet NU1346

# LED flush mount emergency battery back-up ready (EMR)

EMR fixtures by Nuvo Lighting: Efficiency, safety and style all in one package.

The emergency battery back-up disk, Satco model S9299 (120V) or Satco model S9780 (277V) (not included), easily mounts inside the pan of these fixtures instantly making them emergency lighting compliant. Battery back-up disk includes both the test button and indicator light. Batteries are easily accessible and included.

- Rechargeable batteries
- 90 minute run time

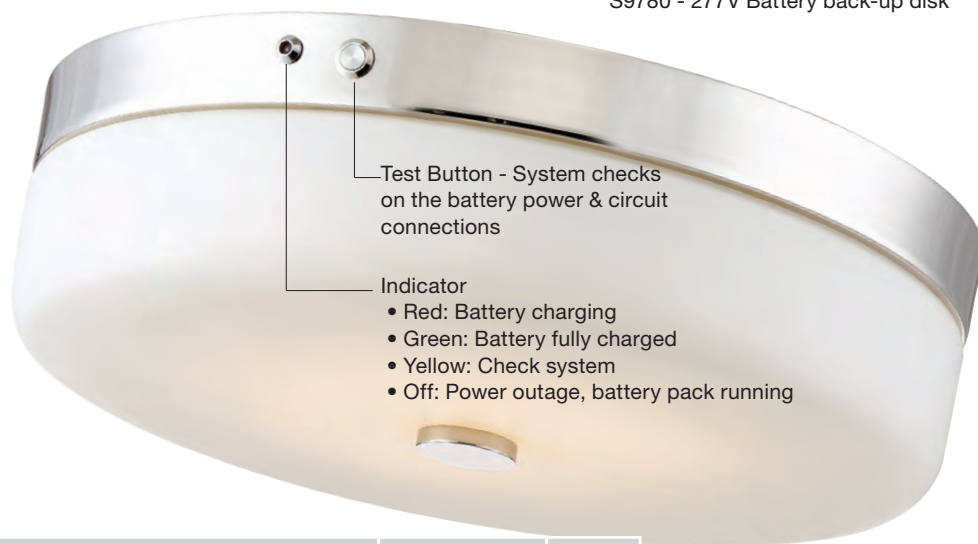


Remove the logo plate to mount the battery back-up indicator light and test button (included with battery back-up disk, sold separately).

Battery back-up disk (sold separately)



S9299 - 120V Battery back-up disk  
S9780 - 277V Battery back-up disk



Item Number	Description	UPC	Pack
25-9002	Replacement Battery - 3 Pack Wrapped Batteries	045923250927	48/3



## Commercial and industrial, indoor/outdoor architectural LED lighting.

Building codes everywhere set minimum safety standards for the lighting of virtually every structure. The Nuvo architectural LED line will certainly meet those standards, but do it more efficiently. LED lighting can save up to 80% on utility costs versus older technologies while providing the lighting needed for commercial building exteriors, parking garages, walkways, entryways, warehouses—indoors or out.

Nuvo architectural LED fixtures are keeping venues everywhere safe and efficiently lit using the best electrical components, materials and overall fixture engineering available, even in the harshest conditions.



# LED Dual head security light

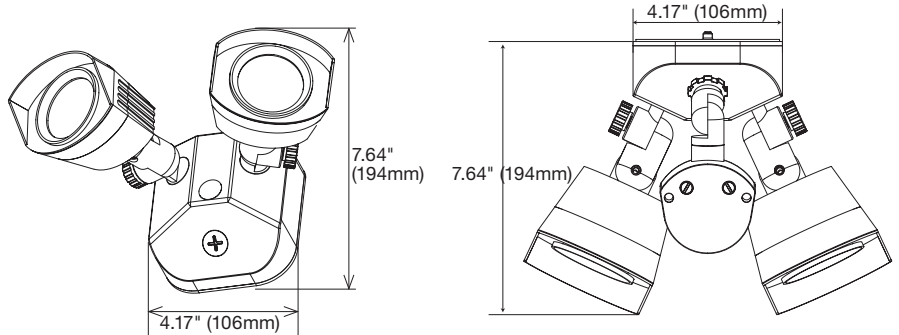
With or without motion sensor

## Features

- Ideal for walkway, patio and entrance lighting
- Die-cast aluminum body and heads
- Impact resistant lenses
- White, Black or Bronze finish
- UV Stabilized powder coated finish
- Recessed junction box required
- 2KV Surge protection
- Suitable for wet locations
- 100-277V (without motion sensor)
- 120V (with motion sensor)
- >80 CRI
- Operating temperature -30°C to 50°C
- 50,000 Hour life
- ENERGY STAR certified
- 5 Year warranty

## Motion Sensor Specifications

- 1 Time setting: 10 seconds to 10 minutes
- Detection angle: 180°
- Detection range: 10 feet to 60 feet
- Dusk to dawn feature
- Manual override



20 WATTS
1900 LUMENS
80 CRI
50,000 HOURS
WET LOCATION
FC
RoHS COMPLIANT
ENERGY STAR
UL LISTED

## LED Dual Head Security Light

Item Number	Lamp Description	W	V	Finish	CRI	CCT	Lm	Life/Hrs.	UPC	Pk./Mstr.
65-211	Security Light w/Sensor - White - 3000K	20	120V	White	80	3000K	1900	50K	045923680311	5
65-213	Security Light w/Sensor - Bronze - 3000K	20	120V	Bronze	80	3000K	1900	50K	045923680328	5
65-215	Security Light w/Sensor - Black - 3000K	20	120V	Black	80	3000K	1900	50K	045923680335	5
65-210	Security Light w/o Sensor - White - 3000K	20	100-277V	White	80	3000K	1900	50K	045923680342	5
65-212	Security Light w/o Sensor - Bronze - 3000K	20	100-277V	Bronze	80	3000K	1900	50K	045923680359	5
65-214	Security Light w/o Sensor - Black - 3000K	20	100-277V	Black	80	3000K	1900	50K	045923680366	5
65-217	Security Light w/Sensor - White - 4000K	20	120V	White	80	4000K	1900	50K	045923680373	5
65-219	Security Light w/Sensor - Bronze - 4000K	20	120V	Bronze	80	4000K	1900	50K	045923680380	5
65-221	Security Light w/Sensor - Black - 4000K	20	120V	Black	80	4000K	1900	50K	045923680397	5
65-216	Security Light w/o Sensor - White - 4000K	20	100-277V	White	80	4000K	1900	50K	045923680403	5
65-218	Security Light w/o Sensor - Bronze - 4000K	20	100-277V	Bronze	80	4000K	1900	50K	045923680410	5
65-220	Security Light w/o Sensor - Black - 4000K	20	100-277V	Black	80	4000K	1900	50K	045923680427	5

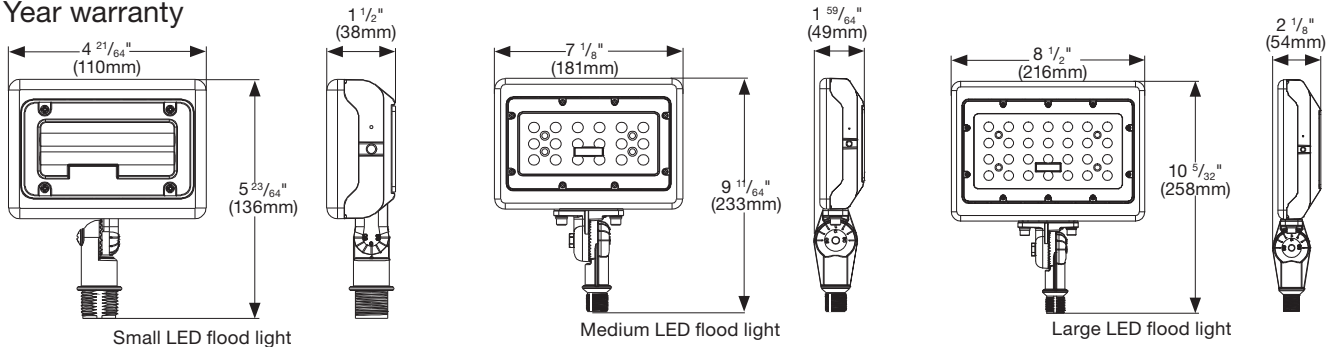
Product sheet NU1537



# LED Small, medium and large flood lights

## Features

- Maintenance free—no bulb to change
- Consistent, even light distribution
- Bronze finish
- Die-cast aluminum body
- UV Stabilized powder coated finish
- Impact-resistant lens
- ½" Knuckle mount
- Mounting plate included
- 110° Beam angle
- 100-277V
- 3000K, 4000K and 5000K options
- 80 CRI
- Operating temperature -20°C to 45°C
- IP65
- Suitable for wet locations
- 50,000 Hour life
- 5 Year warranty



## LED Flood Lights



Item Number	Lamp Description	W	MH Equiv.	V	Finish	CCT	Lm	CRI	Life/Hrs.	UPC	Pack/Mstr.
<b>LED Small Flood Light</b>											
65/531	LED 15W SMALL FLOOD LIGHT	15	70W	100-277V	Bronze	3000K	1593	80	50000	045923680779	16
65/532	LED 15W SMALL FLOOD LIGHT	15	70W	100-277V	Bronze	4000K	1603	80	50000	045923680786	16
65/533	LED 15W SMALL FLOOD LIGHT	15	70W	100-277V	Bronze	5000K	1624	80	50000	045923680793	16
<b>LED Medium Flood Light</b>											
65/534	LED 30W MEDIUM FLOOD LIGHT	30	70-100W	100-277V	Bronze	3000K	3404	80	50000	045923680809	8
65/535	LED 30W MEDIUM FLOOD LIGHT	30	70-100W	100-277V	Bronze	4000K	3427	80	50000	045923680816	8
65/536	LED 30W MEDIUM FLOOD LIGHT	30	70-100W	100-277V	Bronze	5000K	3432	80	50000	045923680823	8
<b>LED Large Flood Light</b>											
65-537	LED 50W LARGE FLOOD LIGHT	50	150W	100-277V	Bronze	3000K	5717	80	50000	045923680830	6
65-538	LED 50W LARGE FLOOD LIGHT	50	150W	100-277V	Bronze	4000K	5778	80	50000	045923680847	6
65-539	LED 50W LARGE FLOOD LIGHT	50	150W	100-277V	Bronze	5000K	5793	80	50000	045923680854	6

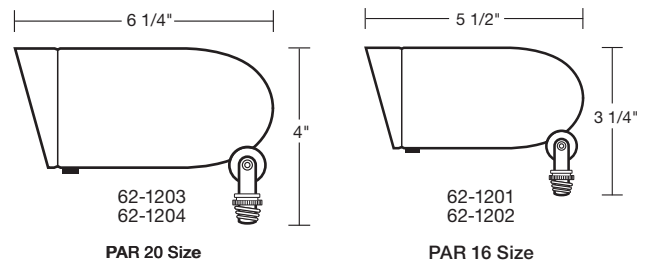
Product sheet NU1568



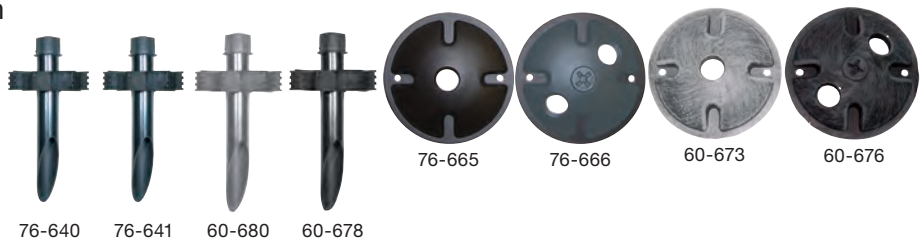
# LED Landscape Flood

## Features

- 6W and 9W versions
- Dark gray, light gray or bronze finish
- Rugged construction
- No transformer required
- Easy installation
- UV stabilized powder coated finish
- 120V
- 3000K
- Suitable for wet locations
- cULus
- 1/2" Threaded knuckle mount
- 50,000 Hour life
- 5 Year warranty



## Accessories



## LED Landscape Flood



Item Number	Lamp Description	W	V	Finish	CCT	Lm	CRI	Life/Hrs.	UPC	Pack
62-1200	6W LED LANDSCAPE FLOOD	6	120	BRONZE	3000K	640	80	50K	045923680168	12
62-1201	6W LED LANDSCAPE FLOOD	6	120	DARK GRAY	3000K	640	80	50K	045923512018	12
62-1202	6W LED LANDSCAPE FLOOD	6	120	LIGHT GRAY	3000K	640	80	50K	045923512025	12
62-1203	9W LED LANDSCAPE FLOOD	9	120	DARK GRAY	3000K	900	80	50K	045923512032	12
62-1204	9W LED LANDSCAPE FLOOD	9	120	LIGHT GRAY	3000K	900	80	50K	045923512049	12
62-1205	9W LED LANDSCAPE FLOOD	9	120	BRONZE	3000K	900	80	50K	045923680175	12

Accessories	Description	UPC	Pack
60-673	1 LIGHT DIE CAST MOUNTING PLATE	045923606731	96
60-674	2 LIGHT DIE CAST MOUNTING PLATE	045923606748	96
60-675	1 LIGHT DIE CAST MOUNTING PLATE	045923606755	96
60-676	2 LIGHT DIE CAST MOUNTING PLATE	045923606762	96
76-665	1 LIGHT DIE CAST MOUNTING POST	045923766657	24
76-666	2 LIGHT DIE CAST MOUNTING PLATE	045923766664	96
60-677	2" DIAMETER PVC MOUNTING POST	045923606779	24
60-678	3" DIAMETER PVC MOUNTING POST	045923606786	24
60-679	2" DIAMETER PVC MOUNTING POST	045923606793	24
60-680	3" DIAMETER PVC MOUNTING POST	045923606809	24
76-641	3" DIAMETER PVC MOUNTING POST	045923766411	24
76-640	2" DIAMETER PVC MOUNTING POST	045923766404	24

Product sheet NU1394

# LED Small wall pack with photocell

## Features

- Maintenance free—no bulb to change
- Consistent, even light distribution
- Black, Bronze or White finish
- Die cast aluminum body
- Rugged, impact-resistant polycarbonate frosted lens
- Built-in over-ridable photocell
- Wall-mount—recessed junction box required
- 20 Watts
- 100-150 Watt MH equivalent
- 100-277V
- 4000K and 5000K options
- 80 CRI
- 100° Beam angle
- 2KV Surge protection
- Operating temperature -20°C to 45°C
- IP65
- Suitable for wet locations
- 50,000 Hour life
- 5 Year warranty



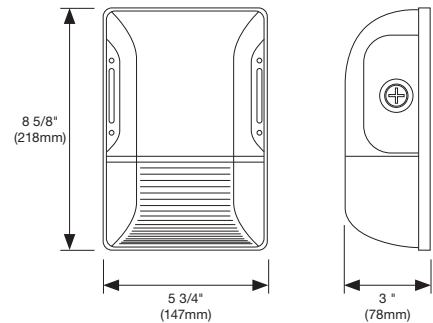
65-265, 65-266



65-267, 65-268



65-269, 65-270



## LED Small Wall Pack with Photocell



Item Number	Description	Finish	W	V	CCT	Lm	Life/Hrs.	CRI	MH Equiv.	UPC	Pk
65-265	LED SMALL WALL PACK W/PHOTOCELL	BLACK/20W/4000K	20	100-277V	4000K	2669	50000	80	100-150W	045923680717	10
65-266	LED SMALL WALL PACK W/PHOTOCELL	BLACK/20W/5000K	20	100-277V	5000K	2761	50000	80	100-150W	045923680724	10
65-267	LED SMALL WALL PACK W/PHOTOCELL	BRONZE/20W/4000K	20	100-277V	4000K	2669	50000	80	100-150W	045923680731	10
65-268	LED SMALL WALL PACK W/PHOTOCELL	BRONZE/20W/5000K	20	100-277V	5000K	2761	50000	80	100-150W	045923680748	10
65-269	LED SMALL WALL PACK W/PHOTOCELL	WHITE/20W/4000K	20	100-277V	4000K	2669	50000	80	100-150W	045923680755	10
65-270	LED SMALL WALL PACK W/PHOTOCELL	WHITE/20W/5000K	20	100-277V	5000K	2761	50000	80	100-150W	045923680762	10

Product sheet NU1547

# 13W LED wall pack with photo control

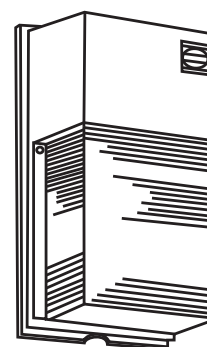
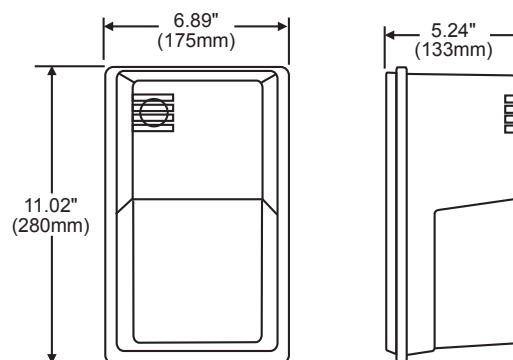
Bronze Finish / Prismatic Lens

## Features

- UL listed
- Die-cast aluminum body
- UV stabilized powder coated finish
- Prismatic lens for uniform light distribution
- Suitable for wet locations
- Photo control – On at dusk / Off at dawn
- 5 Year warranty
- 13W
- 908 Lumens
- 120V
- 5000K
- 70 CRI
- 50-70W MH Equivalent
- Operating temperature: -40°C to 40°C
- Long life—42,000 hours



Dimensions



## 13W Wall Mount LED

**120 VOLT**
**42,000 HOURS**
**70 CRI**
**WET LOCATION**
**RoHS COMPLIANT**
**UL LISTED WET LOCATION**

Item Number	Description	W	V	CRI	CCT	Total Lms*	Lms/Watt	Dimensions	Equivalent	UPC	Pack
65-062	LED ENTRANCE LIGHT 13W - PHOTO CELL BRONZE/PRISMATIC LENS	13	120	70	5000K	908	58	6 7/8" W x 11" H x 5 1/4" Ext.	50-70W MET. HAL.	045923630620	6/1

Product sheet NU1583



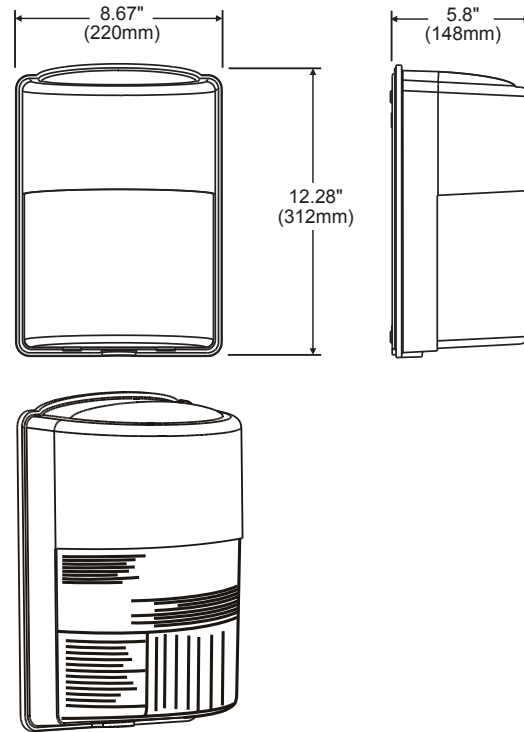
# 26W LED wall pack

Bronze Finish / Prismatic Lens

### Features

- UL listed
- Die-cast aluminum body
- UV stabilized powder coated finish
- Prismatic lens for uniform light distribution
- Suitable for wet locations
- 5 Year warranty
- 26W
- 1691 Lumens
- 120-277V, 50/60Hz
- 5000K
- 70 CRI
- 70-100W MH Equivalent
- Operating temperature: -40°C to 40°C
- Long life—35,000 hours

Dimensions



### 26W Wall Mount LED

**120 VOLT**
**35,000 HOURS**
**70 CRI**
**WET LOCATION**
**RoHS COMPLIANT**
**UL LISTED WET LOCATION**

Item Number	Description	W	V	CRI	CCT	Total Lms*	Lms/Watt	Dimensions	Equivalent	UPC	Pack
65-063	LED ENTRANCE LIGHT 26W BRONZE/PRISMATIC LENS	26	120-277	70	5000K	1691	65	8 1/16" W x 12 1/4" H x 5 1/16" Ext.	70-100W MET. HAL.	045923630637	6/1

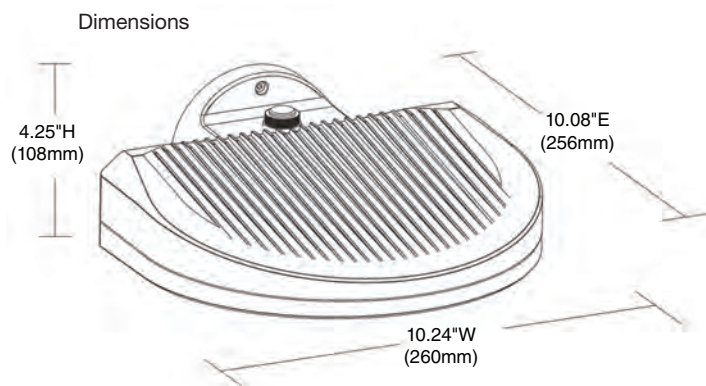
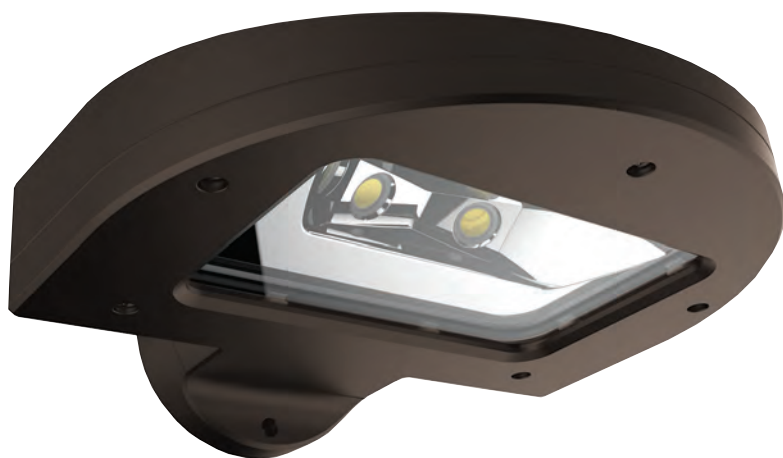
Product sheet NU1584

# 38W LED arc wall pack with photocell

Bronze Finish

## Features

- ETL listed
- IP65 Rated enclosure
- Die-cast aluminum housing
- Suitable for wet locations
- 5 Year warranty
- 38W
- 3500 Lumens
- 120-277V, 50/60Hz
- 5000K
- 75 CRI
- 100-150W MH Equivalent
- Operating temperature: -25°C to 40°C
- Long life—50,000 hours



## 38W LED Arc Wall Pack

Item Number	Description	W	V	CRI	CCT	Total Lms*	Lms/Watt	Dimensions	Equivalent	UPC	Pack
65-097	LED ARC WALL PACK 38W BRONZE	38	120-277	75	5000K	3500	92	10 1/4" W x 4 1/4" H x 10 1/16" Ext.	100-150W MET. HAL.	045923630972	4/1

Product sheet NU1585



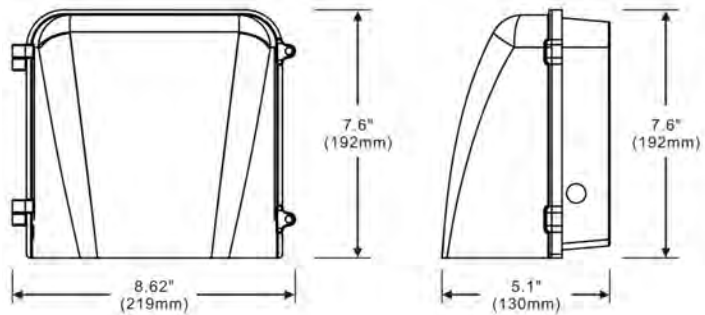
# LED small wall pack

## Features

- 11W, 18W or 27W
- Bronze finish
- Rugged construction
- Die-cast aluminum body
- High impact resistant tempered glass
- UV stabilized powder coated finish
- 120-277V, 50/60Hz
- -40°C Starting temperature
- 5000K
- 11W, 70W MH equivalent
- 18W, 100W MH equivalent
- 27W, 150W MH equivalent
- Suitable for wet locations
- 100,000 Hour life
- Type II Light distribution
- 5 Year warranty



Dimensions



## LED Small Wall Pack

120-277V

100,000 HOURS

70 CRI

WET LOCATION

RoHS COMPLIANT

UL LISTED

DLC PREMIUM

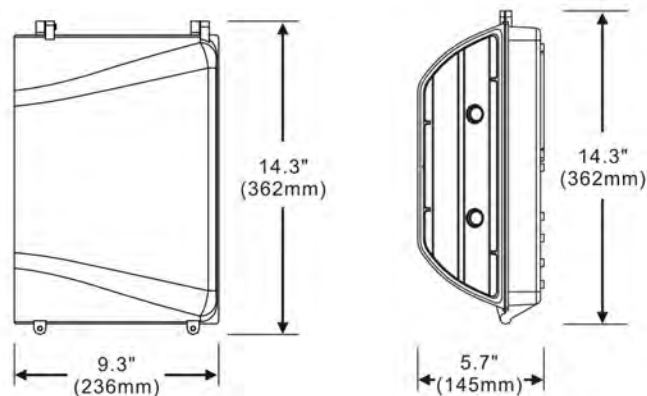
Item Number	Lamp Description	W	V	Finish	CCT	Lm	CRI	Life/Hrs.	UPC	Pack/Mstr.
65-131	11W SMALL WALL PACK	11	120-277	Bronze	5000K	1575	70	100K	045923671319	1
65-132	18W SMALL WALL PACK	18	120-277	Bronze	5000K	2407	70	100K	045923671326	1
65-133	27W SMALL WALL PACK	27	120-277	Bronze	5000K	3315	70	100K	045923671333	1

Product sheet NU1390

# LED large wall pack

## Features

- 36W, 49W or 76W
- Bronze finish
- Rugged construction
- Die-cast aluminum body
- High impact resistant tempered glass
- UV stabilized powder coated finish
- 120-277V, 50/60Hz
- 5000K
- -40°C Starting temperature
- 26W, 100W MH equivalent
- 49W, 100-250W MH equivalent
- 76W, 250W MH equivalent
- Suitable for wet locations
- 100,000 Hour life
- Type II Light distribution
- 5 Year warranty



## LED Large Wall Pack



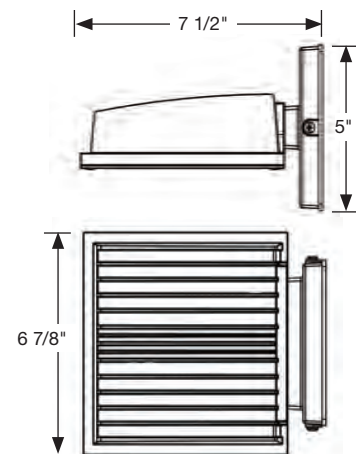
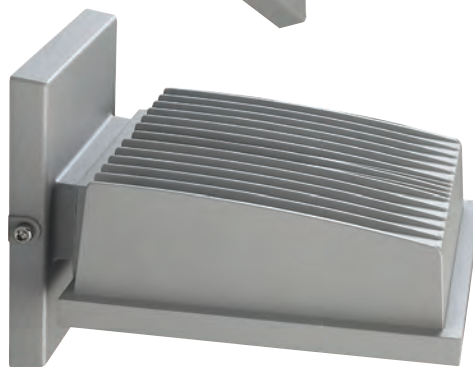
Item Number	Lamp Description	W	V	Finish	CCT	Lm	CRI	Life/Hrs.	UPC	Pack/Mstr.
65-134	36W LARGE WALL PACK	36	120-277	Bronze	5000K	5075	70	100K	045923671340	1
65-135	49W LARGE WALL PACK	49	120-277	Bronze	5000K	6347	70	100K	045923671357	1
65-136	76W LARGE WALL PACK	76	120-277	Bronze	5000K	9174	70	100K	045923671364	1

Product sheet NU1391

# 11W, 15W LED small wall pack

## Features

- 11W or 15W
- White or gray finish
- Rugged construction
- Die-cast aluminum body
- High impact resistant tempered glass
- UV stabilized powder coated finish
- 120-277V, 50/60Hz
- 60° Beam angle
- -25°C Starting temperature
- 3000K or 4000K
- 3000K Dark sky certified†
- 11W, 70W MH equivalent
- 15W, 100W MH equivalent
- Suitable for wet locations
- Long life—50,000 Hours
- 5 Year warranty



## LED Small Wall Pack

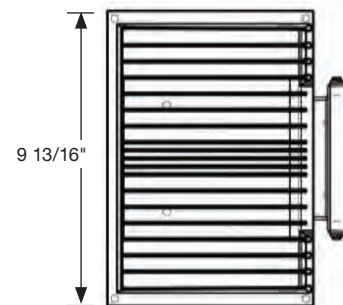
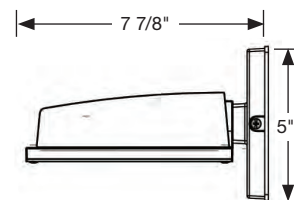
Item Number	Lamp Description	W	V	Finish	CCT	Lm	CRI	Dimensions	Life/Hrs.	UPC	Pk./Mstr.
65-151†	11W LED WALL PACK	11	120-277	Gray	3000K	1255	80	6 7/8" W x 7 1/2" L x 5" H	50K	045923671517	12
65-152	11W LED WALL PACK	11	120-277	Gray	4000K	1261	80	6 7/8" W x 7 1/2" L x 5" H	50K	045923671524	12
65-153†	11W LED WALL PACK	11	120-277	White	3000K	1255	80	6 7/8" W x 7 1/2" L x 5" H	50K	045923671531	12
65-154	11W LED WALL PACK	11	120-277	White	4000K	1261	80	6 7/8" W x 7 1/2" L x 5" H	50K	045923671548	12
65-155†	15W LED WALL PACK	15	120-277	Gray	3000K	1650	80	6 7/8" W x 7 1/2" L x 5" H	50K	045923671555	12
65-156	15W LED WALL PACK	15	120-277	Gray	4000K	1688	80	6 7/8" W x 7 1/2" L x 5" H	50K	045923671562	12
65-157†	15W LED WALL PACK	15	120-277	White	3000K	1650	80	6 7/8" W x 7 1/2" L x 5" H	50K	045923671579	12
65-158	15W LED WALL PACK	15	120-277	White	4000K	1688	80	6 7/8" W x 7 1/2" L x 5" H	50K	045923671586	12

Product sheet NU1411

# 21W, 30W LED large wall pack

## Features

- 21W or 30W
- White or gray finish
- Rugged construction
- Die-cast aluminum body
- High impact resistant tempered glass
- UV stabilized powder coated finish
- 120-277V, 50/60Hz
- 60° Beam angle
- -25°C Starting temperature
- 3000K or 4000K
- 3000K Dark sky certified†
- 21W, 100W MH equivalent
- 30W, 150W MH equivalent
- Suitable for wet locations
- Long life—50,000 Hours
- 5 Year warranty



## LED Large Wall Pack

Item Number	Lamp Description	W	V	Finish	CCT	Lm	CRI	Dimensions	Life/Hrs.	UPC	Pk./Mstr.
65-159†	21W LED WALL PACK	21	120-277	Gray	3000K	2310	80	9 13/16" W x 7 7/8" L x 5" H	50K	045923671593	8
65-160	21W LED WALL PACK	21	120-277	Gray	4000K	2346	80	9 13/16" W x 7 7/8" L x 5" H	50K	045923671609	8
65-161†	21W LED WALL PACK	21	120-277	White	3000K	2310	80	9 13/16" W x 7 7/8" L x 5" H	50K	045923671616	8
65-162	21W LED WALL PACK	21	120-277	White	4000K	2346	80	9 13/16" W x 7 7/8" L x 5" H	50K	045923671623	8
65-163*†	30W LED WALL PACK	30	120-277	Gray	3000K	2884	80	9 13/16" W x 7 7/8" L x 5" H	50K	045923671630	8
65-164	30W LED WALL PACK	30	120-277	Gray	4000K	3339	80	9 13/16" W x 7 7/8" L x 5" H	50K	045923671647	8
65-165*†	30W LED WALL PACK	30	120-277	White	3000K	2884	80	9 13/16" W x 7 7/8" L x 5" H	50K	045923671654	8
65-166	30W LED WALL PACK	30	120-277	White	4000K	3339	80	9 13/16" W x 7 7/8" L x 5" H	50K	045923671661	8

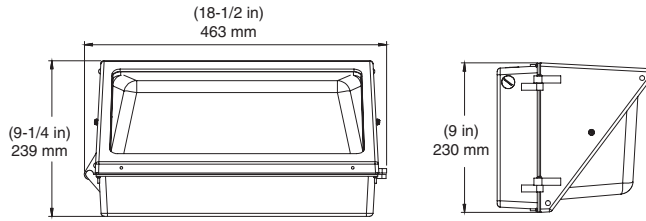
\*DLC Standard

Product sheet NU1412

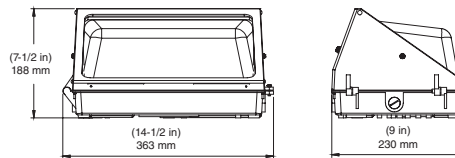
# LED Wall pack fixtures



65-235, 65-236, 65-237, 65-238



65-231, 65-232, 65-233, 65-234



## Features

- Maintenance free—no bulb to change
- Consistent, even light distribution
- Die-cast aluminum body
- UV stabilized powder coated finish
- Bronze finish
- Heat and impact resistant borosilicate glass lens
- 4000K and 5000K options
- 100-277V
- 4KV Surge protection
- 0-10V Dimming
- Optional microwave sensor with dusk to dawn functionality
- Approved for wet locations
- IP65
- 50,000 hour life
- 5 Year warranty

## LED Wall Pack Fixtures



Item Number	Description	W	V	CCT	Lm	Life/Hrs.	CRI	MH Equiv.	UPC	Pk
65-231	LED 42W WALL PACK - 4000K	42	100-277V	4000K	5040	50,000	75	100-150W	045923680434	1
65-232	LED 42W WALL PACK - 5000K	42	100-277V	5000K	5250	50,000	75	100-150W	045923680441	1
65-233	LED 60W WALL PACK - 4000K	60	100-277V	4000K	7500	50,000	75	150-200W	045923680458	1
65-234	LED 60W WALL PACK - 5000K	60	100-277V	5000K	7680	50,000	75	150-200W	045923680465	1
65-235	LED 95W WALL PACK - 4000K	95	100-277V	4000K	12065	50,000	75	250W	045923680472	1
65-236	LED 95W WALL PACK - 5000K	95	100-277V	5000K	12635	50,000	75	250W	045923680489	1
65-237	LED 120W WALL PACK - 4000K	120	100-277V	4000K	15010	50,000	75	400W	045923680496	1
65-238	LED 120W WALL PACK - 5000K	120	100-277V	5000K	15498	50,000	75	400W	045923680502	1

## Accessories

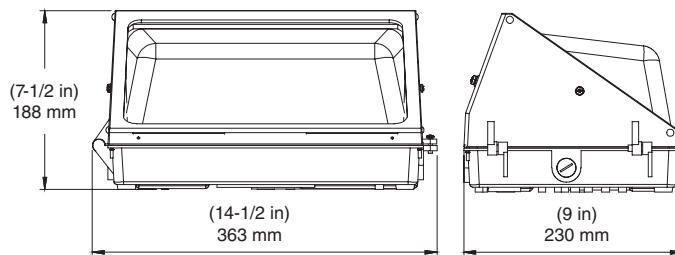
86-205	Add-on Photocell for LED Wall Pack Fixture								045923862052	1
86-206	Add-on Microwave Sensor for LED Wall Pack Fixture								045923862069	1

Product sheet NU1533

# LED Premium wall pack fixtures

## Features

- Maintenance free—no bulb to change
- Consistent, even light distribution
- Die-cast aluminum body
- UV stabilized powder coated finish
- Bronze finish
- Heat and impact resistant borosilicate glass lens
- 4000K and 5000K options
- 100-277V
- 4KV Surge protection
- 0-10V Dimming
- Optional microwave sensor with dusk to dawn functionality
- Approved for wet locations
- IP65
- 50,000 hour life
- 5 Year warranty



## LED Premium Wall Pack Fixtures



Item Number	Description	W	V	CCT	Lm	Life/Hrs.	CRI	MH Equiv.	UPC	Pack
65-239	LED Premium 38W WALL PACK - 4000K	38	100-277V	4000K	5510	50,000	75	100-150W	045923680519	1
65-240	LED Premium 38W WALL PACK - 5000K	38	100-277V	5000K	5624	50,000	75	100-150W	045923680526	1
65-241	LED Premium 55W WALL PACK - 4000K	55	100-277V	4000K	7975	50,000	75	150-200W	045923680533	1
65-242	LED Premium 55W WALL PACK - 5000K	55	100-277V	5000K	8140	50,000	75	150-200W	045923680540	1
Accessories										
86-205	Add-on Photocell for LED Wall Pack Fixture								045923862052	1
86-206	Add-on Microwave Sensor for LED Wall Pack Fixture								045923862069	1

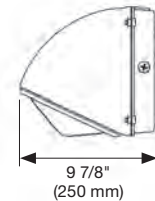
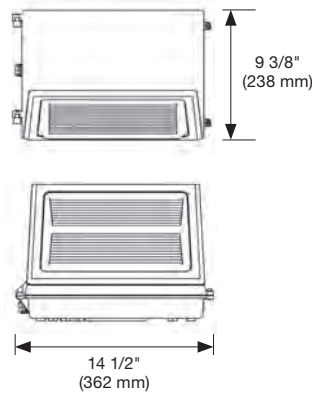
Product sheet NU1538



# LED Cut off wall packs and emergency battery backup wall packs

## Features

- Maintenance free—no bulb to change
- Consistent, even light distribution
- Bronze finish
- Die-cast aluminum body
- Unique cut off design
- UV stabilized powder coated finish
- Heat and impact-resistant borosilicate glass lens
- 35W, 55W, 80W, 100W and 120W options
- 55W w/ built-in emergency battery backup
- Available add-on photocell
- 100-400 Watt MH equivalent
- 100-277V
- 4000K and 5000K options
- 80 CRI
- 10KV Surge protection
- Operating temperature -20°C to 45°C
- IP65
- Suitable for wet locations
- 50,000 Hour life
- 5 Year warranty



## Battery operation

- 90 min. runtime
- 16 W
- ~1120 lumens



## LED Cut Off Wall Pack Fixtures

Item Number	Description	W	V	CCT	Lm	Life/Hrs.	CRI	MH Equiv.	UPC	Pk
65-251	LED CUTOFF WALL PACK 35W/4K	35	100-277V	4000K	4822	50000	80	100-150W	045923680595	1
65-252	LED CUTOFF WALL PACK 35W/5K	35	100-277V	5000K	4990	50000	80	100-150W	045923680601	1
65-253	LED CUTOFF WALL PACK 55W/4K	55	100-277V	4000K	7552	50000	80	150-200W	045923680618	1
65-254	LED CUTOFF WALL PACK 55W/5K	55	100-277V	5000K	7598	50000	80	150-200W	045923680625	1
65-255	LED CUTOFF WALL PACK 80W/4K	80	100-277V	4000K	9968	50000	80	250W	045923680632	1
65-256	LED CUTOFF WALL PACK 80W/5K	80	100-277V	5000K	10113	50000	80	250W	045923680649	1
65-257	LED CUTOFF WALL PACK 100W/4K	100	100-277V	4000K	12605	50000	80	250-300W	045923680656	1
65-258	LED CUTOFF WALL PACK 100W/5K	100	100-277V	5000K	12734	50000	80	250-300W	045923680663	1
65-259	LED CUTOFF WALL PACK 120W/4K	120	100-277V	4000K	15102	50000	80	400W	045923680670	1
65-260	LED CUTOFF WALL PACK 120W/5K	120	100-277V	5000K	15697	50000	80	400W	045923680687	1

### Emergency battery backup options

65-261	LED EM CUTOFF WALL PACK 55W/4K	55	100-277V	4000K	7552	50000	80	150-200W	045923680694	1
65-262	LED EM CUTOFF WALL PACK 55W/5K	55	100-277V	5000K	7598	50000	80	150-200W	045923680700	1

### Accessories

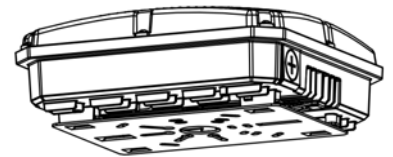
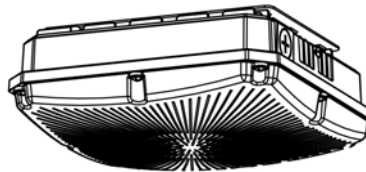
86-205	Add-on photocell								045923862052	1
--------	------------------	--	--	--	--	--	--	--	--------------	---

Product sheet NU1546

# LED Premium low profile canopy fixtures

## Features

- Die-cast aluminum body
- 8.5" & 10" sizes
- Bronze finish
- UV stabilized powder coated finish
- Ceiling or 3/4" pendant mounting
- IP65
- Suitable for wet locations
- Broad, even light distribution
- 150-200W MH Equivalent
- Operating temperature: -40°C to 40°C
- 1-10V dimming
- DLC Premium listed
- Rated 50,000 hours
- 5 Year warranty



## LED Premium Low Profile Canopy Fixtures



Item Number	Description	W	V	CRI	CCT	Total Lms*	Dimming	Life/Hrs.	UPC	Pack
65-138	8.5" LED Canopy Light	28	120-277	80	4000K	3360	1-10V	50K	045923531385	6
65-139	8.5" LED Canopy Light	28	120-277	80	5000K	3360	1-10V	50K	045923682438	6
65-140	8.5" LED Canopy Light	40	120-277	80	4000K	4800	1-10V	50K	045923531408	6
65-141	8.5" LED Canopy Light	40	120-277	80	5000K	4800	1-10V	50K	045923682445	6
65-142	10" LED Canopy Light	28	120-277	80	4000K	3360	1-10V	50K	045923531422	4
65-143	10" LED Canopy Light	28	120-277	80	5000K	3360	1-10V	50K	045923682452	4
65-144	10" LED Canopy Light	40	120-277	80	4000K	4800	1-10V	50K	045923531446	4
65-145	10" LED Canopy Light	40	120-277	80	5000K	4800	1-10V	50K	045923682469	4
65-146	10" LED Canopy Light	60	120-277	80	4000K	7200	1-10V	50K	045923531460	4
65-147	10" LED Canopy Light	60	120-277	80	5000K	7200	1-10V	50K	045923682476	4
65-148	10" LED Canopy Light	70	120-277	80	4000K	8400	1-10V	50K	045923531484	4
65-149	10" LED Canopy Light	70	120-277	80	4000K	8400	1-10V	50K	045923682483	4
Accessories										
86-203	Add-on Microwave Sensor								045923862038	100
86-204	Add-on Photocell								045923862045	100

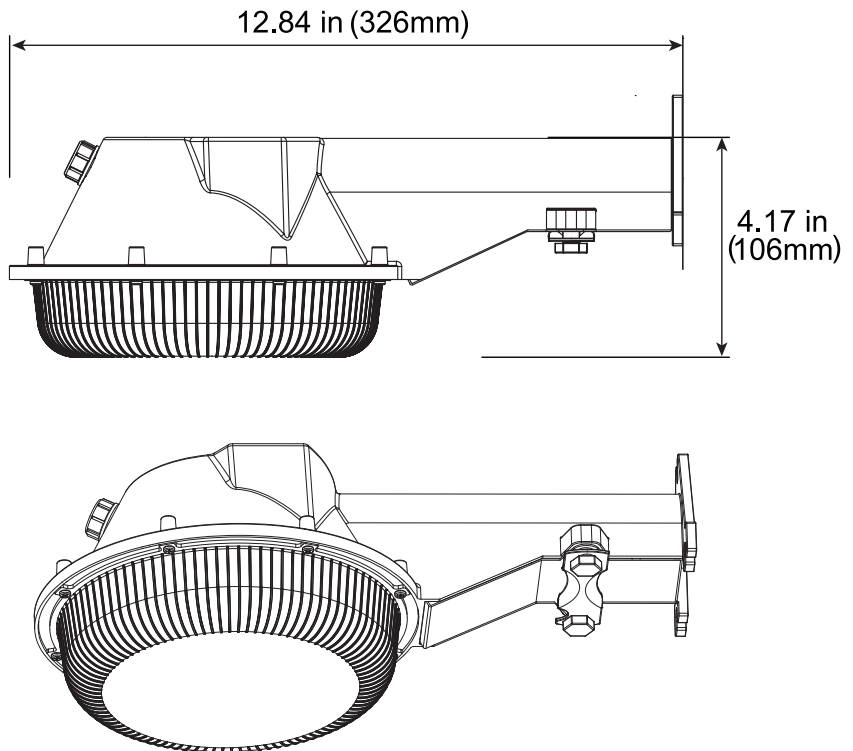
Product sheet NU1521

# 25W LED area light with built-in photocell



## Features

- DLC & UL listed
- Black finish
- Rugged polycarbonate construction
- Impact-resistant lens
- Built-in photocell with cover
- Wall-mount—recessed junction box required
- 25 Watts
- 100-277V
- 4000K and 5000K options
- 2KV Surge protection
- Operating temperature -30°C to 50°C
- IP65
- Suitable for wet locations
- 50,000 Hour life
- 5 Year warranty



25W LED Area Light  
with Built-in Photocell



Item Number	Lamp Description	W	V	CRI	CCT	Lm	Life/Hrs.	UPC	Pack
65-244	25W LED AREA LIGHT W/PHOTOCELL	25	100-277	80	4000K	2250	50K	045923680984	2
65-245	25W LED AREA LIGHT W/PHOTOCELL	25	100-277	80	5000K	2250	50K	045923680991	2

Product sheet NU1534



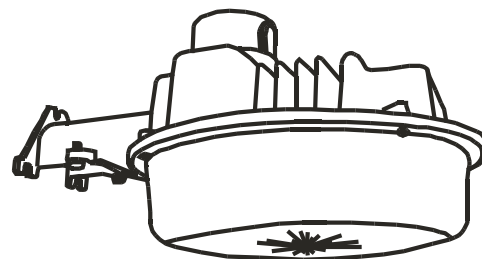
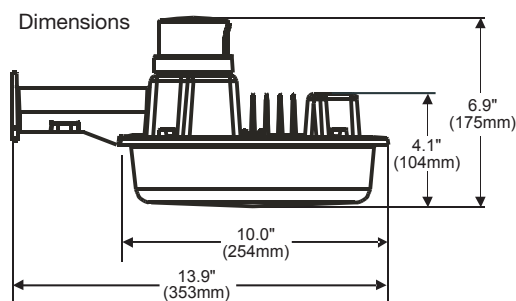
65-055, 65-054

# 41W and 58W LED wall mount carport/parking area fixtures

Gray Finish / Polycarbonate Diffuser

### Features

- DLC & UL listed
- Die-cast aluminum body
- UV stabilized powder coated finish
- Uniform light distribution
- Suitable for wet locations
- Photo control – On at dusk / Off at dawn
- 5 Year warranty
- 41W & 58W
- 120V
- 5000K
- 70 CRI
- 150-200W MH Equivalent
- Operating temperature: -40°C to 40°C
- Long life—40,000 hours



### Accessories



Aluminum Anodized Arm  
Item no. 65-084



### LED Carport/Parking Area Fixture

Item Number	Description	W	V	CRI	CCT	Total Lms	Lms/Watt	Dimensions	Equivalent	UPC	Pack
65-055	LED AREA LIGHT 41W GRAY FINISH	41	120	70	5000K	3194	77	10" W x 6 7/8" H x 9 7/8" Ext.	150-200W MET. HAL.	045923630552	6/1
65-054*	LED AREA LIGHT 58W GRAY FINISH	58	120	70	5000K	5441	93	10" W x 6 7/8" H x 9 7/8" Ext.	200W MET. HAL.	045923630545	6/1
Accessories											
65-084	ALUMINUM ANODIZED ARM FOR CARPORT/PARKING AREA FIXTURE							21"		045923630842	4/1

Product sheet NU1574

# Adjustable LED vapor tight fixtures

## Features:

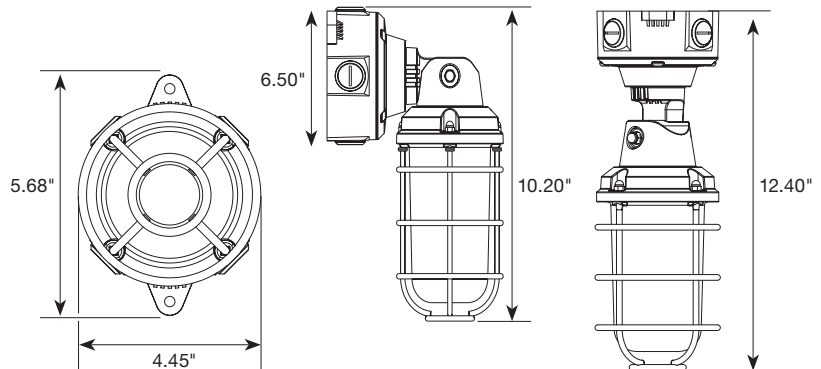
- 90° Adjustable arm
- Wall or ceiling mount
- Rugged polycarbonate body and protective steel cage
- Gray finish
- 3000K, 4000K, 5000K options
- 100-277V
- Operating temp. -40°C to 45°C
- ½" Conduit openings on all 4 sides
- Approved for wet locations
- IP65
- Wet location listed
- 50,000 Hour life
- 5 Year warranty



Fixture adjusts a full 90° in multiple increments.



Fixture adjusts 90°



## Adjustable LED Vapor Tight Fixtures



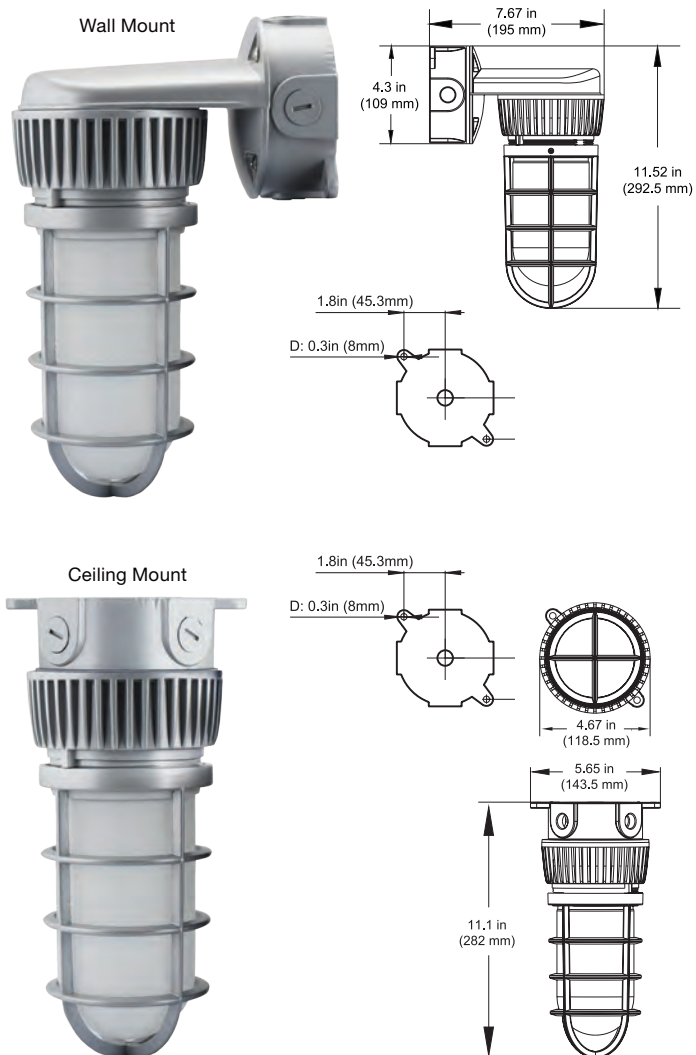
Item Number	Description	W	Voltage	Finish	CCT	Lm	CRI	Life/Hrs.	UPC	Case Pack
65-171	LED 20W Adj. Vapor Tight - 3000K	20	100-277V	Gray	3000K	2050	80+	50K	045923671715	6
65-172	LED 20W Adj. Vapor Tight - 4000K	20	100-277V	Gray	4000K	2150	80+	50K	045923671729	6
65-173	LED 20W Adj. Vapor Tigh - 5000K	20	100-277V	Gray	5000K	2200	80+	50K	045923671736	6

Product sheet NU1488

# LED vapor tight fixtures

## Features

- Wall or ceiling mount versions
- Die-cast aluminum body
- UV stabilized powder coated finish
- Silver finish
- 4000K and 5000K options
- 100-277V
- 2KV Surge protection
- Wet location listed
- IP65
- 50,000 Hour life
- ENERGY STAR certified
- 5 Year warranty



## LED vapor tight fixtures



Item Number	Lamp Description	W	V	CRI	CCT	Lm	Life/Hrs.	UPC	Pack
<b>WALL MOUNT</b>									
65-223	LED 20W Wall Mount Vapor Tight - 4000K	20	100-277	80+	4000K	1800	50K	045923680557	2
65-224	LED 20W Wall Mount Vapor Tight - 5000K	20	100-277	80+	5000K	1800	50K	045923680564	2
<b>CEILING MOUNT</b>									
65-225	LED 20W Ceiling Mount Vapor Tight - 4000K	20	100-277	80+	4000K	1800	50K	045923680571	2
65-226	LED 20W Ceiling Mount Vapor Tight - 5000K	20	100-277	80+	5000K	1800	50K	045923680588	2

Product sheet NU1532



# LED bulkhead fixture

Attractive, high efficiency indoor/outdoor wall fixture

## Features

- 20 Watts
- White or Black finish with frosted glass
- Rugged construction
- Die-cast aluminum body
- UV stabilized powder coated finish
- Suitable for wet locations
- 100-277V, 50/60Hz
- 1440 Lumens
- 3000K
- 90 CRI
- Long life—50,000 hours
- ENERGY STAR certified\*
- 5 Year warranty



## LED Bulkhead Fixture



Item Number	Lamp Description	W	V	Finish	CCT	Lm	CRI	Life/Hrs.	UPC	Pack/Mstr.
65-113*	20W LED BULK HEAD WHITE	20	100-277	White	3000K	1440	90	50K	045923451133	2
65-114*	20W LED BULK HEAD BLACK	20	100-277	Black	3000K	1440	90	50K	045923451140	2

Product sheet NU1361

# LED Up or down outdoor sconce

Versatile, high-efficiency outdoor sconce

## Features

- 60W equivalent
- 10 Watts
- White, Black or Bronze finish
- Die-cast aluminum body
- UV stabilized powder coated finish
- Suitable for wet locations
- 100/277V
- 40° Beam spread
- 2KV Surge protection
- 3000K
- 90 CRI
- Lasts 50,000 hours
- IP65
- cULus listed
- ENERGY STAR certified
- 5 Year warranty



Shown in up position

62-1137

62-1138

62-1139

Dimensions : 5" W x 6 3/4" H x 3 1/8" Ext.



Shown in down position

62-1147

62-1148

62-1149

Dimensions : 5" W x 8 1/4" H x 3 7/8" Ext.

## LED Up or Down Outdoor Sconce



Item No.	Description	W	Finish	CCT	Lm	CRI	Life/Hrs.	UPC
62-1137	1 LT LED SM UP OR DOWN SCONCE	10	White	3000K	900	90	50K	045923680922
62-1138	1 LT LED SM UP OR DOWN SCONCE	10	Black	3000K	900	90	50K	045923680939
62-1139	1 LT LED SM UP OR DOWN SCONCE	10	Bronze	3000K	900	90	50K	045923680946
62-1147	1 LT LED LG UP OR DOWN SCONCE	10	White	3000K	900	90	50K	045923680953
62-1148	1 LT LED LG UP OR DOWN SCONCE	10	Black	3000K	900	90	50K	045923680960
62-1149	1 LT LED LG UP OR DOWN SCONCE	10	Bronze	3000K	900	90	50K	045923680977

Product sheet NU1535

# LED Up and down outdoor sconce

Versatile, high-efficiency outdoor sconce

## Applications

- Residential or commercial use
- Entrances
- Hallways
- Lobbies
- Patios

## Features

- 10 Watts / 20 Watts
- White, Black or Bronze finish
- Die-cast aluminum body
- UV stabilized powder coated finish
- Suitable for wet locations
- 100/277V
- 40° Beam spread
- 2KV Surge protection
- 3000K
- 90 CRI
- Lasts 50,000 hours
- IP65
- cULus listed
- 5 Year warranty
- ENERGY STAR certified



62-1143R1



62-1144R1



62-1146R1

Dimensions : 5" W x 11 3/4" H x 3 7/8" Ext.



62-1141R1



62-1142R1



62-1145R1

Dimensions : 5" W x 6 3/4" H x 3 1/8" Ext.

## LED Up and Down Outdoor Sconce



Item No.	Description	W	Finish	CCT	Lm	CRI	Life/Hrs.	UPC
62-1141R1	2 LT LED SM UP & DOWN SCONCE	10	White	3000K	900	90	50K	045923680861
62-1142R1	2 LT LED SM UP & DOWN SCONCE	10	Black	3000K	900	90	50K	045923680878
62-1145R1	2 LT LED SM UP & DOWN SCONCE	10	Bronze	3000K	900	90	50K	045923680885
62-1143R1	2 LT LED LG UP & DOWN SCONCE	20	White	3000K	1800	90	50K	045923680892
62-1144R1	2 LT LED LG UP & DOWN SCONCE	20	Black	3000K	1800	90	50K	045923680908
62-1146R1	2 LT LED LG UP & DOWN SCONCE	20	Bronze	3000K	1800	90	50K	045923680915

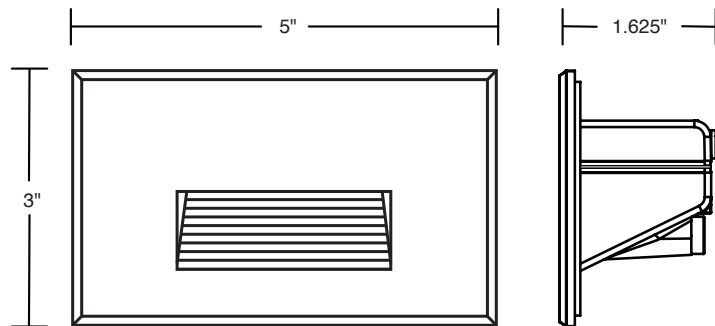
Product sheet NU1536



# LED horizontal step light

## Features

- 5W
- Bronze, White or Gray finish
- Rugged construction
- No transformer required
- Easy installation
- UV stabilized powder coated finish
- Dimmable\*\*
- 120V or 277V versions
- 3000K
- Suitable for wet locations
- cULus listed
- Long life—50,000 hours
- 5 Year warranty



## LED Horizontal Step Light



Item Number	Lamp Description	W	V	Finish	CCT	Lm	CRI	Life/Hrs.	UPC	Pack/Mstr.
65-403**	5W HORIZONTAL STEP LIGHT	5	120	Bronze	3000K	407	80	50K	045923554032	24
65-404	5W HORIZONTAL STEP LIGHT	5	277	Bronze	3000K	407	80	50K	045923554049	24
65-407**	5W HORIZONTAL STEP LIGHT	5	120	White	3000K	407	80	50K	045923554070	24
65-408	5W HORIZONTAL STEP LIGHT	5	277	White	3000K	407	80	50K	045923554087	24
65-411**	5W HORIZONTAL STEP LIGHT	5	120	Gray	3000K	407	80	50K	045923554117	24
65-412	5W HORIZONTAL STEP LIGHT	5	277	Gray	3000K	407	80	50K	045923554124	24

\*Minimum interior box volume of 13 cubic inches.

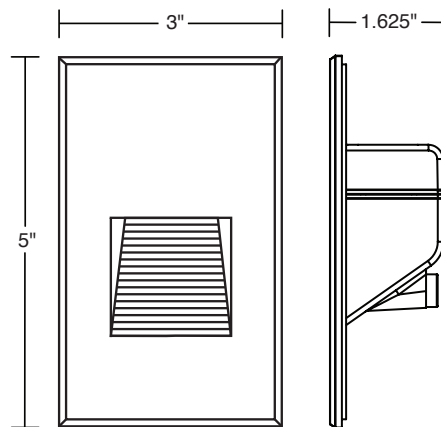
Product sheet NU1393



# LED vertical step light

## Features

- 3W
- Bronze, White or Gray finish
- Rugged construction
- No transformer required
- Easy installation\*
- UV stabilized powder coated finish
- Dimmable\*\*
- 120V or 277V versions
- 3000K
- Suitable for wet locations
- cULus listed
- Long life—50,000 hours
- 5 Year warranty



RECESSED

## LED Vertical Step Light



Item Number	Lamp Description	W	V	Finish	CCT	Lm	CRI	Life/Hrs.	UPC	Pack/Mstr.
65-401**	3W VERTICAL STEP LIGHT	3	120	Bronze	3000K	200	80	50K	045923554018	24
65-402	3W VERTICAL STEP LIGHT	3	277	Bronze	3000K	220	80	50K	045923554025	24
65-405**	3W VERTICAL STEP LIGHT	3	120	White	3000K	200	80	50K	045923554056	24
65-406	3W VERTICAL STEP LIGHT	3	277	White	3000K	220	80	50K	045923554063	24
65-409**	3W VERTICAL STEP LIGHT	3	120	Gray	3000K	200	80	50K	045923554094	24
65-410	3W VERTICAL STEP LIGHT	3	277	Gray	3000K	220	80	50K	045923554100	24

\*Minimum interior box volume of 13 cubic inches.

Product sheet NU1392



# FREEDOM™ architectural LED downlights & retrofits

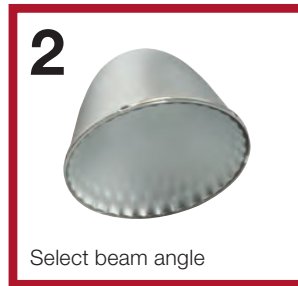
It takes just 3 steps to solve dozens of lighting challenges. Start by choosing the housing size. This also contains your color temperature, including warm-dimming. Then choose the beam angle you need for the item or area you're lighting. Finally, choose the trim ring. That's it. You're on the way to creating a consistent, functional lighting plan that covers almost every lighting need.



## 3 Easy steps to customize your Freedom downlight/retrofit.



Select color temperature



Select beam angle



Select trim

### Start with the housing size and color temperature

- 4"
  - 2700K
  - 3000K
  - 4000K
  - 5000K
  - 2700K-2200K Warm Dimming
- 5"/6"

### Add the beam angle and optics

- |           |             |
|-----------|-------------|
| <b>4"</b> | <b>5/6"</b> |
| • 30°     | • 35°       |
| • 40°     | • 45°       |
| • 60°     | • 60°       |
| • 95°     | • 95°       |

### Choose your trim finish and shape, round or square

- White
- Brushed Nickel
- Polished Nickel
- Bronze

E26 Medium base adapter supplied.  
Optional GU10 & GU24 bases available



Trim ring – choose round or square

Beam angle optics

Twist blade mounting for easy installation

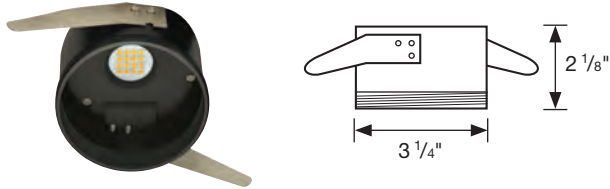
Housing with color temperature choices or warm dimming option

Quick connector

Product sheet SA1710

# 4" LED housings and reflectors

Available recessed cans pg. 114



## S9500 4" LED Housing – 10W, 2700K, 90CRI

Reflector Numbers	Reflector Angle	ENERGY STAR Numbers	Brightness (lumens)
S9508	30 deg	S9500-30	540
S9509	40 deg	S9500-40	540
S9510	60 deg	S9500-60	540
S9511	95 deg	S9500-95	500

## S9501 4" LED Housing – 10W, 3000K, 90CRI

Reflector Numbers	Reflector Angle	ENERGY STAR Numbers	Brightness (lumens)
S9508	30 deg	S9501-30	550
S9509	40 deg	S9501-40	550
S9510	60 deg	S9501-60	550
S9511	95 deg	S9501-95	500

## S9502 4" LED Housing – 10W, 4000K, 90CRI

Reflector Numbers	Reflector Angle	ENERGY STAR Numbers	Brightness (lumens)
S9508	30 deg	S9502-30	600
S9509	40 deg	S9502-40	600
S9510	60 deg	S9502-60	600
S9511	95 deg	S9502-95	550

## S9503 4" LED Housing – 10W, 5000K, 80CRI

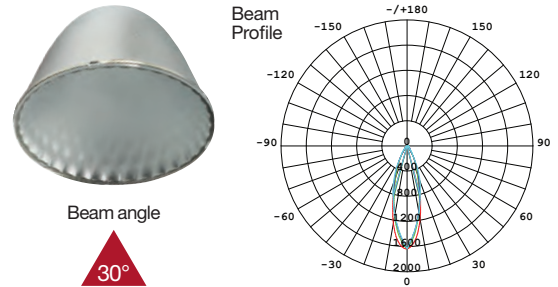
Reflector Numbers	Reflector Angle	ENERGY STAR Numbers	Brightness (lumens)
S9508	30 deg	S9503-30	700
S9509	40 deg	S9503-40	700
S9510	60 deg	S9503-60	700
S9511	95 deg	S9503-95	650

## S9524 4" LED Housing – 10W, 2700K-2200K, 83CRI

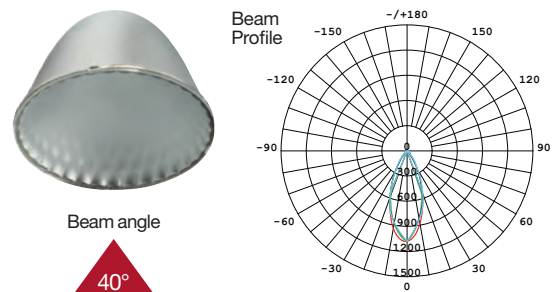
Reflector Numbers	Reflector Angle	ENERGY STAR Numbers†	Brightness @ 2700K (lumens)†
S9508	30 deg	S9524-30	540
S9509	40 deg	S9524-40	540
S9510	60 deg	S9524-60	540
S9511	95 deg	S9524-95	500

†ENERGY STAR rating relates to 2700K CCT setting only

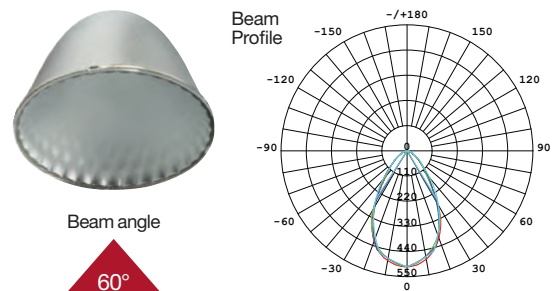
## S9508 4" Reflector – 30° Beam angle



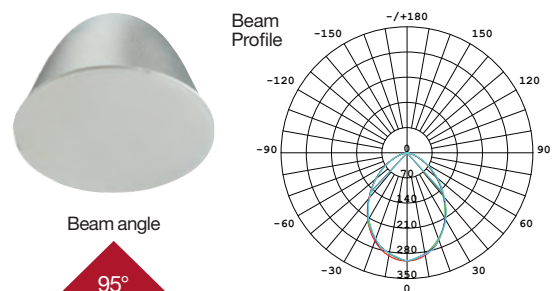
## S9509 4" Reflector – 40° Beam angle



## S9510 4" Reflector – 60° Beam angle



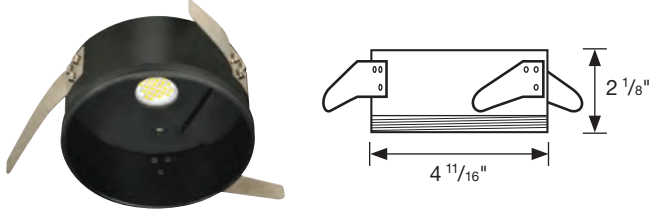
## S9511 4" Reflector – 95° Beam angle



RECESSED

# 5"/6" LED housings and reflectors

Available recessed cans pg. 114



## S9504 5/6" LED Housing – 13.5W, 2700K, 90CRI

Reflector Numbers	Reflector Angle	ENERGY STAR Numbers	Brightness (lumens)
S9512	35 deg	S9504-35	830
S9513	45 deg	S9504-45	830
S9514	60 deg	S9504-60	830
S9515	95 deg	S9504-95	760

## S9505 5/6" LED Housing – 13.5W, 3000K, 90CRI

Reflector Numbers	Reflector Angle	ENERGY STAR Numbers	Brightness (lumens)
S9512	35 deg	S9505-35	860
S9513	45 deg	S9505-45	860
S9514	60 deg	S9505-60	860
S9515	95 deg	S9505-95	800

## S9506 5/6" LED Housing – 13.5W, 4000K, 90CRI

Reflector Numbers	Reflector Angle	ENERGY STAR Numbers	Brightness (lumens)
S9512	35 deg	S9506-35	900
S9513	45 deg	S9506-45	900
S9514	60 deg	S9506-60	900
S9515	95 deg	S9506-95	860

## S9507 5/6" LED Housing – 13.5W, 5000K, 80CRI

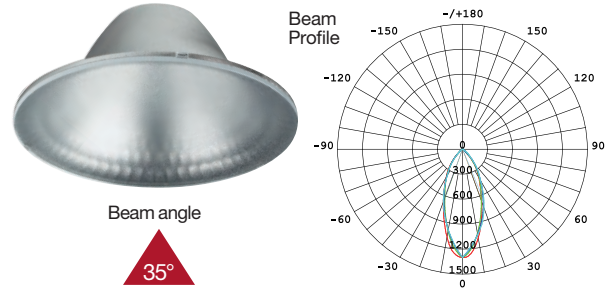
Reflector Numbers	Reflector Angle	ENERGY STAR Numbers	Brightness (lumens)
S9512	35 deg	S9507-35	1000
S9513	45 deg	S9507-45	1000
S9514	60 deg	S9507-60	1000
S9515	95 deg	S9507-95	960

## S9525 5/6" LED Housing – 13.5W, 2200K-2700K, 83CRI

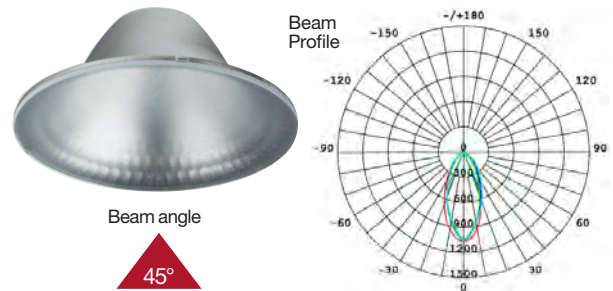
Reflector Numbers	Reflector Angle	ENERGY STAR Numbers†	Brightness @ 2700K (lumens)†
S9512	35 deg	S9525-35	830
S9513	45 deg	S9525-45	830
S9514	60 deg	S9525-60	830
S9515	95 deg	S9525-95	760

†ENERGY STAR rating relates to 2700K CCT setting only

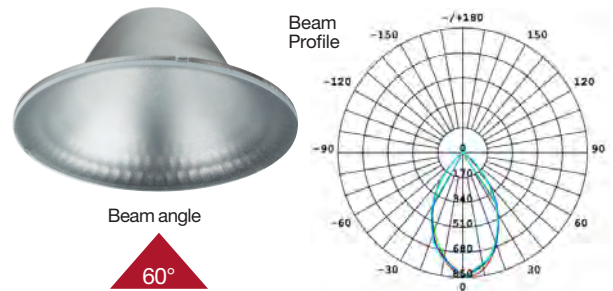
## S9512 5"/6" Reflector – 35° Beam angle



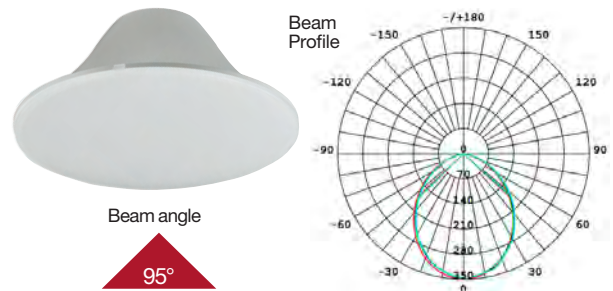
## S9513 5"/6" Reflector – 45° Beam angle



## S9514 5"/6" Reflector – 60° Beam angle

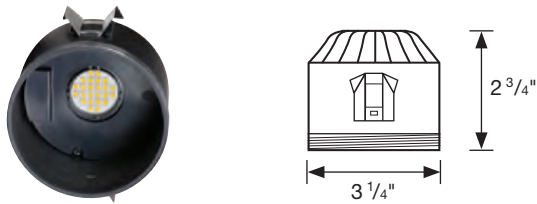


## S9515 5"/6" Reflector – 95° Beam angle



# 4" High Lumen LED housings and reflectors

Available recessed cans pg. 114



## S9785 4" LED Housing – 16W, 2700K, 90CRI

Reflector Numbers	Reflector Angle	ENERGY STAR Numbers	Brightness (lumens)
S9508	30 deg	S9785-30	930
S9509	40 deg	S9785-40	930
S9510	60 deg	S9785-60	930
S9511	95 deg	S9785-95	880

## S9786 4" LED Housing – 16W, 3000K, 90CRI

Reflector Numbers	Reflector Angle	ENERGY STAR Numbers	Brightness (lumens)
S9508	30 deg	S9786-30	940
S9509	40 deg	S9786-40	940
S9510	60 deg	S9786-60	940
S9511	95 deg	S9786-95	890

## S9787 4" LED Housing – 16W, 4000K, 90CRI

Reflector Numbers	Reflector Angle	ENERGY STAR Numbers	Brightness (lumens)
S9508	30 deg	S9787-30	950
S9509	40 deg	S9787-40	950
S9510	60 deg	S9787-60	950
S9511	95 deg	S9787-95	900

## S9788 4" LED Housing – 16W, 5000K, 80CRI

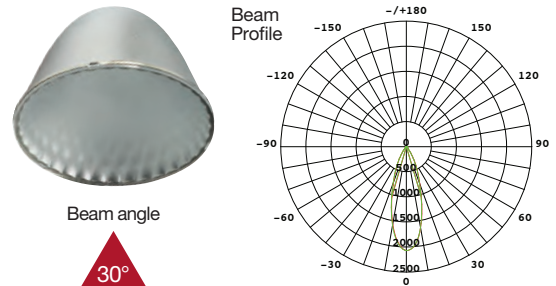
Reflector Numbers	Reflector Angle	ENERGY STAR Numbers	Brightness (lumens)
S9508	30 deg	S9788-30	1050
S9509	40 deg	S9788-40	1050
S9510	60 deg	S9788-60	1050
S9511	95 deg	S9788-95	1000

## S9789 4" LED Housing – 16W, 2700K-2200K, 80CRI

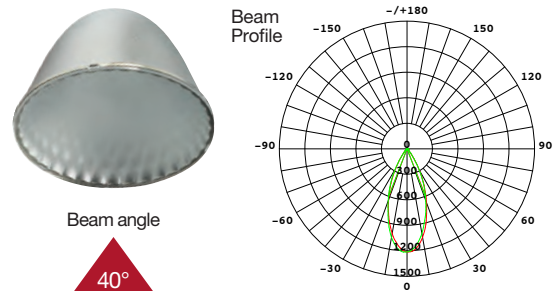
Reflector Numbers	Reflector Angle	ENERGY STAR Numbers†	Brightness @ 2700K (lumens)†
S9508	30 deg	S9789-30	940
S9509	40 deg	S9789-40	940
S9510	60 deg	S9789-60	940
S9511	95 deg	S9789-95	890

†ENERGY STAR rating relates to 2700K CCT setting only

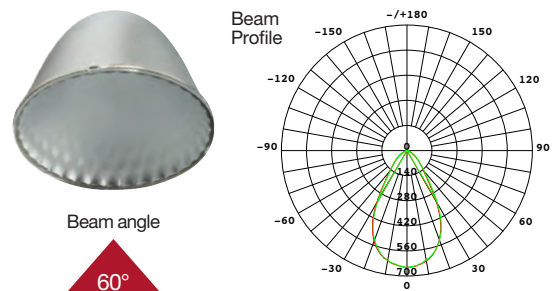
## S9508 4" Reflector – 30° Beam angle



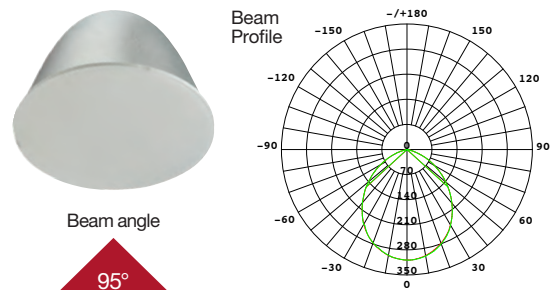
## S9509 4" Reflector – 40° Beam angle



## S9510 4" Reflector – 60° Beam angle



## S9511 4" Reflector – 95° Beam angle

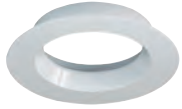


RECESSED



## Round trims

### 4" Trims



White  
S9516 4"



Brushed Nickel  
S9517 4"

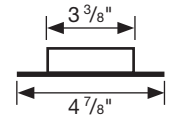


Bronze  
S9518 4"



Polished Nickel  
S9519 4"

### 4" Round



### 5"/6" Trims



White  
S9520 5", S9554 6"



Brushed Nickel  
S9521 5", S9555 6"

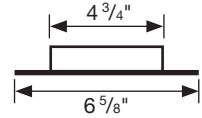


Bronze  
S9522 5", S9556 6"



Polished Nickel  
S9523 5", S9557 6"

### 5" Round



### 6" Round Adjustable Gimbal Trims



White  
S9646 6"



Brushed Nickel  
S9647 6"

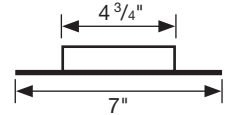


Bronze  
S9648 6"

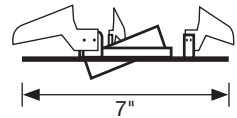


Polished Nickel  
S9649 6"

### 6" Round



### 6" Round Gimbal



## Square trims

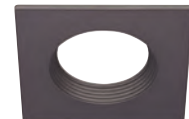
### 4" Trims



White  
S9526 4"



Brushed Nickel  
S9527 4"

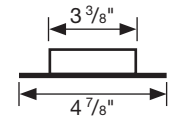


Bronze  
S9528 4"



Polished Nickel  
S9529 4"

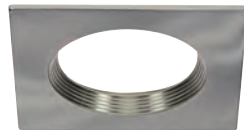
### 4" Square



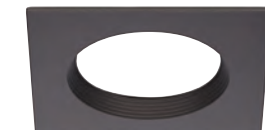
### 5"/6" Trims



White  
S9530 5", S9534 6"



Brushed Nickel  
S9531 5", S9535 6"

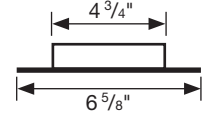


Bronze  
S9532 5", S9536 6"



Polished Nickel  
S9533 5", S9537 6"

### 5" Square



### 6" Square Adjustable Gimbal Trims



White  
S9693 6"



Brushed Nickel  
S9694 6"

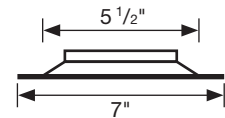


Bronze  
S9695 6"

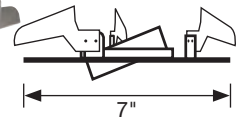


Polished Nickel  
S9696 6"

### 6" Square



### 6" Square Gimbal



Item Number	Finish	UPC	Pk./Mstr.
<b>ROUND TRIMS</b>			
<b>4" ROUND TRIMS</b> - For use in 4" new work and remodel housings			
S9516	White	045923095160	12/1
S9517	Brushed Nickel	045923095177	12/1
S9518	Bronze	045923095184	12/1
S9519	Polished Nickel	045923095191	12/1
<b>5" ROUND TRIMS</b> - For use in 5" new work and remodel housings or 6" new work housings			
S9520	White	045923095207	12/1
S9521	Brushed Nickel	045923095214	12/1
S9522	Bronze	045923095221	12/1
S9523	Polished Nickel	045923095238	12/1
<b>6" ROUND TRIMS</b> - For use in 6" new work and remodel housings			
S9554	White	045923095542	12/1
S9555	Brushed Nickel	045923095559	12/1
S9556	Bronze	045923095566	12/1
S9557	Polished Nickel	045923095573	12/1
<b>GIMBAL TRIMS</b> - For use with 4" LED high lumen housings only - S9785, S9786, S9787, S9788 and S9789			
<b>6" ROUND ADJUSTABLE GIMBAL TRIMS</b> - Gimbal trims can only be used in 6" new work or remodel cans			
S9646	White	045923096464	12/1
S9647	Brushed Nickel	045923096471	12/1
S9648	Bronze	045923096488	12/1
S9649	Polished Nickel	045923096495	12/1
<b>SQUARE TRIMS</b>			
<b>4" SQUARE TRIMS</b> - For use in 4" new work and remodel housings			
S9526	White	045923095269	12/1
S9527	Brushed Nickel	045923095276	12/1
S9528	Bronze	045923095283	12/1
S9529	Polished Nickel	045923095290	12/1
<b>5" SQUARE TRIMS</b> - For use in 5" new work and remodel housings or 6" new work housings			
S9530	White	045923095306	12/1
S9531	Brushed Nickel	045923095313	12/1
S9532	Bronze	045923095320	12/1
S9533	Polished Nickel	045923095337	12/1
<b>6" SQUARE TRIMS</b> - For use in 6" new work and remodel housings			
S9534	White	045923095344	12/1
S9535	Brushed Nickel	045923095351	12/1
S9536	Bronze	045923095368	12/1
S9537	Polished Nickel	045923095375	12/1
<b>GIMBAL TRIMS</b> - For use with 4" LED high lumen housings only - S9785, S9786, S9787, S9788 and S9789			
<b>6" SQUARE ADJUSTABLE GIMBAL TRIMS</b> - Gimbal trims can only be used in 6" new work or remodel cans			
S9693	White	045923096938	12/1
S9694	Brushed Nickel	045923096945	12/1
S9695	Bronze	045923096952	12/1
S9696	Polished Nickel	045923096969	12/1



# Freedom™ LED downlight EM battery backup module

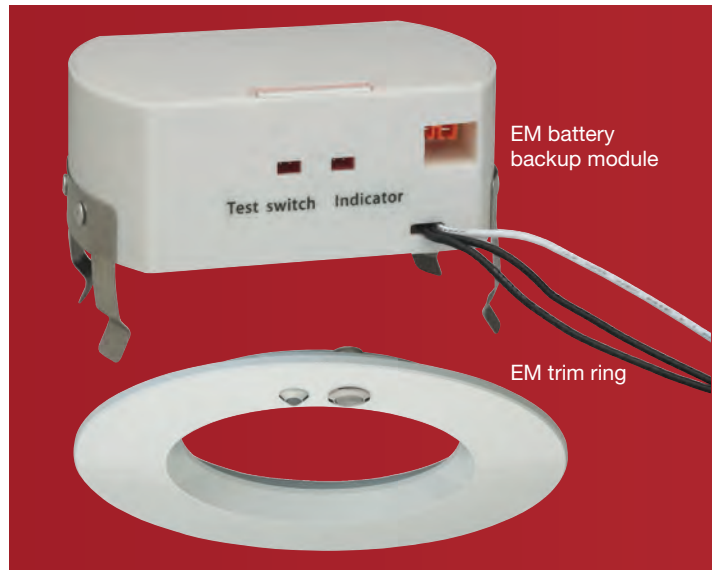
The battery backup module and trim add emergency capability to any 5"/6" Freedom™ downlight assembly and fit most 6" recessed housings.

## Features

- Comes complete with battery backup module, trim ring, wire management clips and (2) 26F18650 2600 mAh, 5.2A li-on batteries included
- 24 Hour recharge time
- 90 Minute operation from battery at full lumen output
- Switching time: <1 second
- Over-charge/discharge protection
- Self-checking function
- Built-in LED status indicator
- Test button

See Freedom Cat. #SA1710 for complete product details

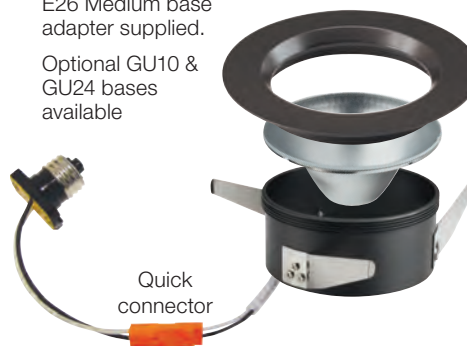
## Freedom™ Architectural LED downlight battery backup kit



## Freedom custom downlights

E26 Medium base adapter supplied.

Optional GU10 & GU24 bases available



Many trim ring options

Beam angle options

Twist blade mounting for easy installation

Housing with color temperature choices or warm dimming option

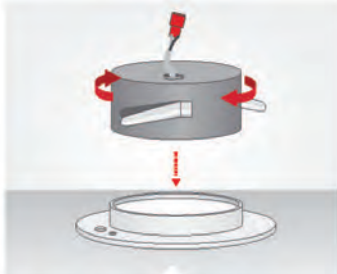


Item Number	Description	V	UPC	Pack/Mstr.
S9559	Freedom™ Battery Backup w/Freedom™ 6" White Round EM Trim	120	045923095597	12/1

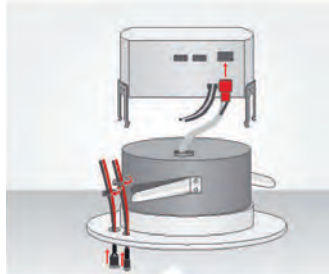
Product sheet SA2310

# Installation is easy

## Assembly instructions



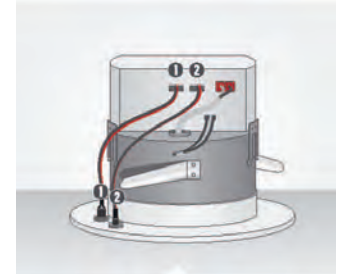
**STEP 1:** Place Trim, Reflector, Battery backup unit and housing on an even surface. Thread housing onto trim until it fastens.



**STEP 2:** Attach indicator and test button on the trim by fastening two nuts (provided). Attach the battery backup unit onto housing by locking springs on its side.



**STEP 3:** 'Click' the orange wire connector from housing to Battery backup unit in slot on right top corner.



**STEP 4:** Insert the red connector from trim with indicator to slot on battery backup until labeled 'INDICATOR.' Insert the red connector from trim with test button to slot on battery backup unit labeled 'TEST.'

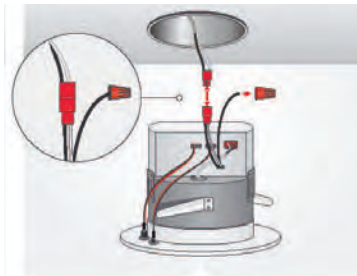
## 1. LED Ready Cans with connector installed

### A1.2 Wire Continuous Power Applications (Switch Cable & Neutral Cable)



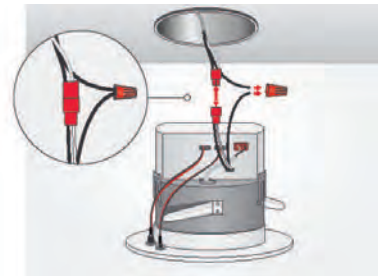
**Alert:** Battery might run out in this application. Use the orange connector (provided) to connect cables available for connection into 6" recessed can. Put together in orange connector the "Switched Line" and the "Continuous Line Power" from the battery backup to one side of orange connector, then put together the "Neutral" white wire from the battery backup to second side of orange.

### A2.2 Wire Continuous Power Applications (Main Power Cable & Neutral Cable)



Emergency light only. Use the orange connector (provided) to connect cables available for connection into 6" recessed can.  
**a.** Put together in orange connector "Continuous Line Power" and the "Neutral" from the battery backup.  
**b.** Screw wire nut (provided) over the "Switched Line" and leave unconnected.

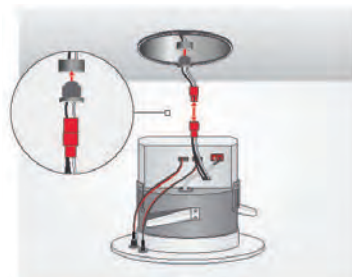
### B.3 Wire Switched Power Applications



Use the orange connector (provided) to connect cables available for connection into 6" recessed can.  
**a.** Put together in orange connector "Switched Line Power" and the "Neutral" from the battery backup.  
**b.** Screw wire nut (provided) over the "Continuous Line Power" and connect with the black main power cable coming from the 6" recessed can. Make sure you get the right main cable from the can, then connect with our "Continuous Line Power" cable with wire nut.

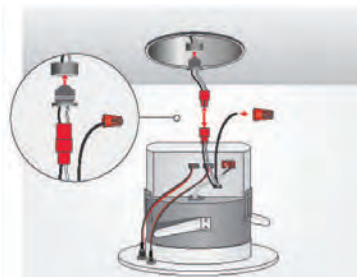
## 2. Standard Incandescent Cans with E26 Sockets Installed

### A1.2 Wire Continuous Power Applications (Switch Cable & Neutral Cable)



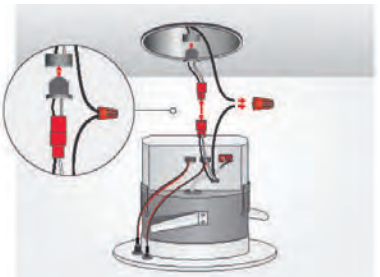
**Alert:** Battery might run out in this application. Use the Edison Base Male Screw E26 (provided) to connect cables available for connection into 6" recessed can. Put together in orange connector the "Switched Line" and the "Continuous Line Power" from the battery backup to one side of orange connector, then put together the "Neutral" white wire from the battery backup to second side of orange connector.

### A2.2 Wire Continuous Power Applications (Main Power Cable & Neutral Cable)



Emergency light only. Use the Edison Base Male Screw E26 (provided) to connect cables available for connection into 6" recessed can.  
**a.** Put together in orange connector "Continuous Line Power" and the "Neutral" from the battery backup.  
**b.** Screw wire nut (provided) over the "Switched Line" and leave unconnected.

### B.3 Wire Switched Power Applications



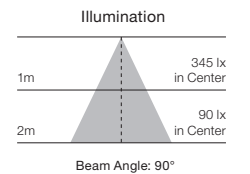
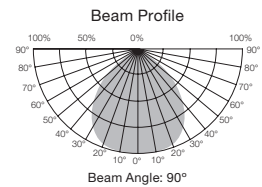
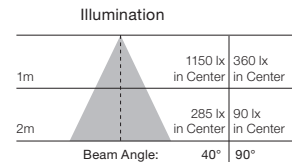
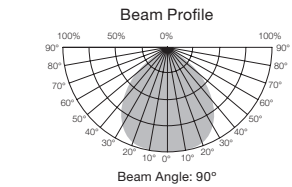
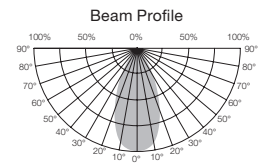
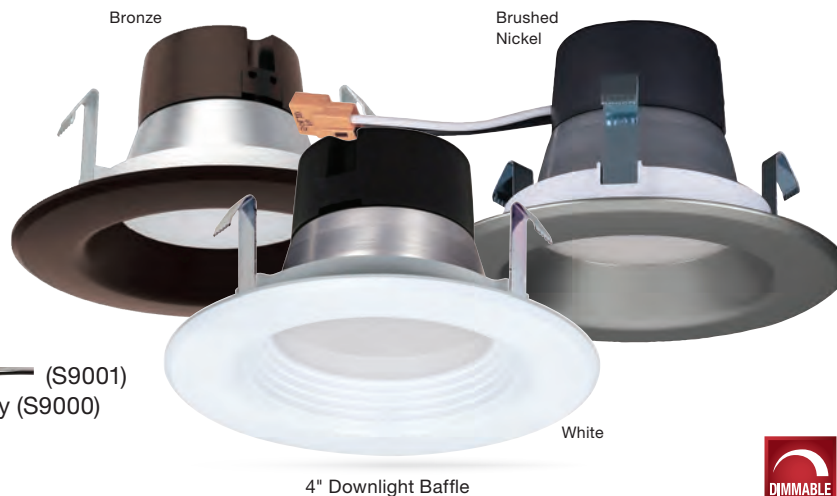
Use the Edison Base Male Screw E26 (provided) to connect cables available for connection into 6" recessed can.  
**a.** Put together in orange connector "Switched Line Power" and the "Neutral" from the battery backup.  
**b.** Screw wire nut (provided) over the "Continuous Line Power" and connect with the black main power cable coming from the 6" recessed can. Make sure you get the right main cable from the can, then connect with our "Continuous Line Power" cable with wire nut.

RECESSED

# 4" LED recessed downlight retrofits

- Residential
- Office
- Retail
- Hospitality
- Solid state LED lighting
- Direct replacement for reflector lamps
- Dimmable
- c-UL-us Classified damp location - Gimbal
- c-UL-us Classified wet location - Baffle
- JA8-2016
- CEC/T20 Compliant
- Long life—50,000 hours
- ENERGY STAR® certified\*
- 5 Year warranty

E26 Adapter included (S9001)  
 GU10 Adapter sold separately (S9000)



## 4" LED Recessed Downlight Retrofits

Item Number	Lamp Description	Finish	W	V	CRI	CCT	Lm	Bm	M.O.L. (Inches)	Life/Hrs.	UPC	Pack
<b>4" LED Baffle Retrofits</b>												
S39713■	7WLED/RDL/4/27K/120V	White	7	120	90	2700K	600	90°	2 7/8	50K	045923397134	16/1
S39714■	7WLED/RDL/4/30K/120V	White	7	120	90	3000K	600	90°	2 7/8	50K	045923397141	16/1
S39715■	7WLED/RDL/4/40K/120V	White	7	120	90	4000K	600	90°	2 7/8	50K	045923397158	16/1
S39716*	7WLED/RDL/4/50K/120V	White	7	120	90	5000K	600	90°	2 7/8	50K	045923397165	16/1
S39744	8.5WLED/RDL/4/30K/BN/120V	Brushed Nickel	8.5	120	90	3000K	600	90°	2 7/8	50K	045923397448	16/1
S39847	8.5WLED/RDL/4/30K/BRZ/120V	Bronze	8.5	120	90	3000K	520	90°	2 7/8	50K	045923398476	16/1
<b>4" LED Gimbal Retrofits</b>												
S39463■	7WLED/DIR/4/40°/27K/120V	White	7	120	90	2700K	600	40°	3 5/16	50K	045923294631	8/1
S39464■	7WLED/DIR/4/40°/30K/120V	White	7	120	90	3000K	600	40°	3 5/16	50K	045923294648	8/1
S39465■	7WLED/DIR/4/40°/40K/120V	White	7	120	90	4000K	600	40°	3 5/16	50K	045923294655	8/1
S39466■	7WLED/DIR/4/90°/27K/120V	White	7	120	90	2700K	600	90°	3 5/16	50K	045923294662	8/1
S39467■	7WLED/DIR/4/90°/30K/120V	White	7	120	90	3000K	600	90°	3 5/16	50K	045923294679	8/1
S39468■	7WLED/DIR/4/90°/40K/120V	White	7	120	90	4000K	600	90°	3 5/16	50K	045923294686	8/1


■ Also T24 compliant.


Product sheet SA2602

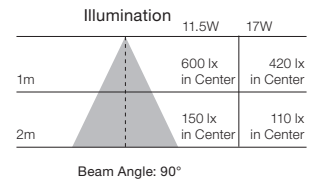
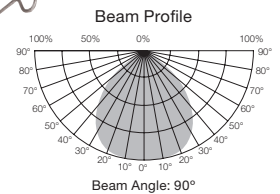
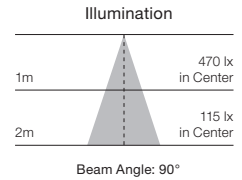
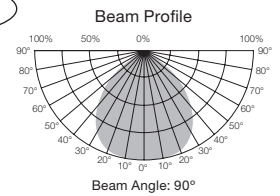
# 5"/6" LED recessed downlight retrofits

- Residential
- Office
- Retail
- Hospitality
- Solid state LED lighting
- Direct replacement for reflector lamps
- Dimmable
- High efficiency/ Environmentally friendly
- c-UL-us Classified damp location - Gimbal
- c-UL-us Classified wet location - Baffle
- JA8-2016
- CEC/T20 Compliant
- Long life—50,000 hours
- ENERGY STAR® certified\*
- 5 Year warranty

E26 Adapter included (S9001)  
 GU24 Adapter sold separately (S8999)  
 GU10 Adapter sold separately (S9000)

 Pressure bracket (80-2676)  
 alternate installation option available.

 Torsion springs (80/2709)



## 5"/6" LED Recessed Downlight Retrofits

Item Number	Lamp Description	Finish	W	V	CRI	CCT	Lm	Bm	M.O.L. (Inches)	Life/Hrs.	UPC	Pack
<b>5"/6" LED Baffle Retrofits</b>												
S39724*	9WLED/RDL/5-6/27K/120V	White	9	120	90	2700K	800	90°	3 7/16	50K	045923397240	8/1
S39725*	9WLED/RDL/5-6/30K/120V	White	9	120	90	3000K	800	90°	3 7/16	50K	045923397257	8/1
S39726*	9WLED/RDL/5-6/40K/120V	White	9	120	90	4000K	800	90°	3 7/16	50K	045923397264	8/1
S39727	9WLED/RDL/5-6/50K/120V	White	9	120	90	5000K	800	90	3 7/16	50K	045923397271	6/1
S39745	10.5WLED/RDL/5-6/30K/BN/120V	Brushed Nickel	10.5	120	90	3000K	800	90°	3 7/16	50K	045923397455	8/1
S39848	10.5WLED/RDL/5-6/30K/BRZ/120V	Bronze	10.5	120	90	3000K	700	90°	3 7/16	50K	045923398483	8/1
<b>5"/6" LED Baffle Retrofits - High Lumen</b>												
S39740*	13.5WLED/RDL/5-6/27K/120V	White	13.5	120	90	2700K	1200	90°	3 7/16	50K	045923397400	8/1
S39741*	13.5WLED/RDL/5-6/30K/120V	White	13.5	120	90	3000K	1200	90°	3 7/16	50K	045923397417	8/1
S39742*	13.5WLED/RDL/5-6/40K/120V	White	13.5	120	90	4000K	1200	90°	3 7/16	50K	045923397424	8/1
S39743	13.5WLED/RDL/5-6/50K/120V	White	13.5	120	90	5000K	1200	90°	3 7/16	50K	045923397431	8/1
<b>5"/6" LED Gimbal Retrofits</b>												
S39472*	9WLED/DIR/5-6/27K/120V	White	9	120	90	2700K	800	90°	4 1/4	50K	045923394720	8/1
S39473*	9WLED/DIR/5-6/30K/120V	White	9	120	90	3000K	800	90°	4 1/4	50K	045923394737	8/1
S39474*	9WLED/DIR/5-6/40K/120V	White	9	120	90	4000K	800	90°	4 1/4	50K	045923394744	8/1

■ Also T24 compliant.

Product sheet SA2603

RECESSED



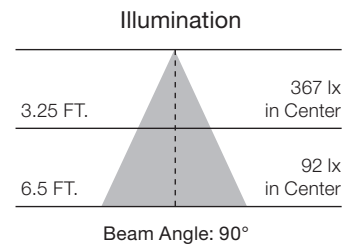
# 5"/6" LED recessed downlight retrofits

- Residential
- Office
- Retail
- Hospitality
- Direct replacement for reflector lamps
- High efficiency/environmentally friendly
- Dimmable\*\*\*
- Wet location
- c-UL-us Classified
- Long life—35,000 hours
- ENERGY STAR® certified\*
- 5 Year warranty

E26 Adapter included



This retrofit is for use with recessed housings with an E26 socket only.



## 5"/6" LED Recessed Downlight Retrofits

Item Number	Lamp Description	W	V	CRI	CCT	Lm	Bm	M.O.L. (Inches)	Life/Hrs.	UPC	Pack/Master
S29312*	9.8WLED/RDL/5-6/27K/120V	9.8	120	90	2700K	650	90°	2 5/16	35K	045923293122	12/1
S29313*	9.8WLED/RDL/5-6/30K/120V	9.8	120	90	3000K	650	90°	2 5/16	35K	045923293139	12/1
S29314*	9.8WLED/RDL/5-6/40K/120V	9.8	120	90	4000K	650	90°	2 5/16	35K	045923293146	12/1
S29315*	9.8WLED/RDL/5-6/50K/120V	9.8	120	90	5000K	650	90°	2 5/16	35K	045923293153	12/1

\*\*\* Consult Satco or visit [www.satco.com](http://www.satco.com) for an up to date dimmer compatibility list.

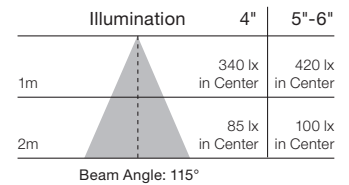
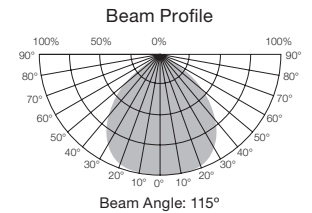
Product sheet SA2013

**RECESSED**

# Quick Trim™ 4", 5"/6" LED recessed downlight retrofit 2-packs

Innovative design—  
adjustable neck makes  
installation into any  
recessed can easy

- Residential
- Office
- Retail
- Hospitality
- Direct replacement for reflector lamps
- Dimmable\*\*\*
- Damp location listed
- Long life—25,000 hours
- ENERGY STAR® certified\*
- 5 Year warranty



Extends to reach the socket.  
Retracts to meet the surface.



Screw lamp into existing socket.



Push into the fixture until the trim is flush against surface.



## LED Recessed Downlight Retrofit 2-Packs



Item Number	Lamp Description	W	V	CRI	CCT	Lm	Bm	M.O.L. (Inches)	Life/Hrs.	UPC	Pack
S9598*	8.5WLED/4"TRIM/27K/120V/2PK	8.5	120	80	2700K	510	115°	3 13/16 - 5 3/8	25K	045923095986	12-2pks
S9599*	12WLED/5-6"TRIM/27K/120V/2PK	12	120	80	2700K	800	110°	4 1/2 - 6 5/16	25K	045923095993	12-2pks


\*\*\* Consult Satco or visit [www.satco.com](http://www.satco.com) for an up to date dimmer compatibility list.

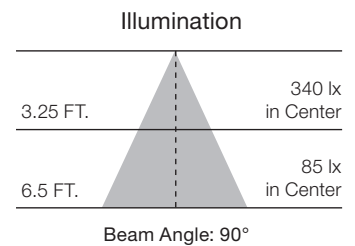
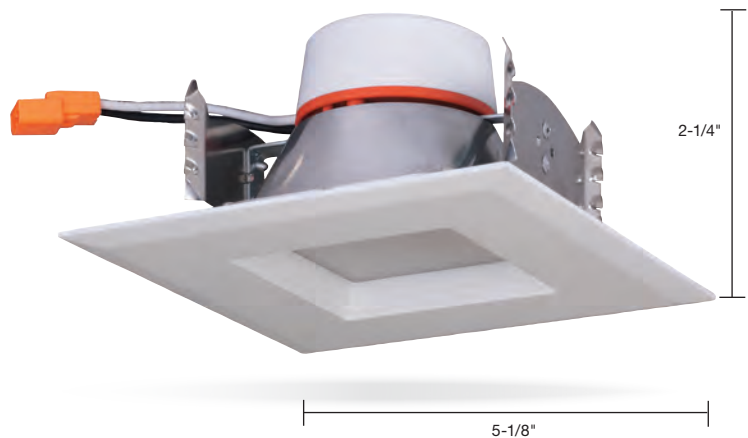
Product sheet SA1965



# 4" LED square trim recessed downlight retrofits

- Residential
- Office
- Retail
- Hospitality
- 45 Watt replacement uses only 9 Watts
- Direct replacement for reflector lamps
- Durable die-cast finish
- Dimmable\*\*\*
- Wet location
- c-UL-us Classified
- JA8-2016
- CEC/T20 Compliant
- Long life—50,000 hours
- ENERGY STAR® certified\*
- 5 Year warranty

E26 Adapter included  (S9001)  
 GU24 Adapter sold separately (S8999)  
 GU10 Adapter sold separately (S9000)  
 Fits in round cans



## 4" LED Square Trim Recessed Downlight Retrofits


Item Number	Lamp Description	W	V	CRI	CCT	Lm	Bm	M.O.L. (Inches)	Life/Hrs.	UPC	Pack
S39756■	7WLED/4/SQ/27K/120V	7	120	90	2700K	600	90°	4	50K	045923397561	24/1
S39757■	7WLED/4/SQ/30K/120V	7	120	90	3000K	600	90°	4	50K	045923397578	24/1
S39758■	7WLED/4/SQ/40K/120V	7	120	90	4000K	600	90°	4	50K	045923397585	24/1
S39759	7WLED/4/SQ/50K/120V	7	120	90	5000K	600	90°	4	50K	045923397592	24/1

\*\*\* Consult Satco or visit [www.satco.com](http://www.satco.com) for an up to date dimmer compatibility list. ■ Also T24 compliant.

Product sheet SA2047

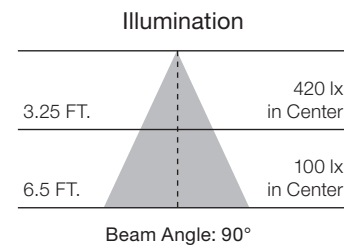
# 5"/6" LED square trim recessed downlight retrofits

- Residential
- Office
- Retail
- Hospitality
- Up to 85 Watt replacement uses only 15 Watts
- Direct replacement for reflector lamps
- Durable die-cast finish
- Dimmable\*\*\*
- Wet location
- c-UL-us Classified
- JA8-2016
- CEC/T20 Compliant
- Long life—50,000 hours
- ENERGY STAR® certified\*
- 5 Year warranty

E26 Adapter included  (S9001)  
 GU24 Adapter sold separately (S8999)  
 GU10 Adapter sold separately (S9000)  
 Fits in round cans



**RECESSED**



## 5"/6" LED Square Trim Recessed Downlight Retrofits

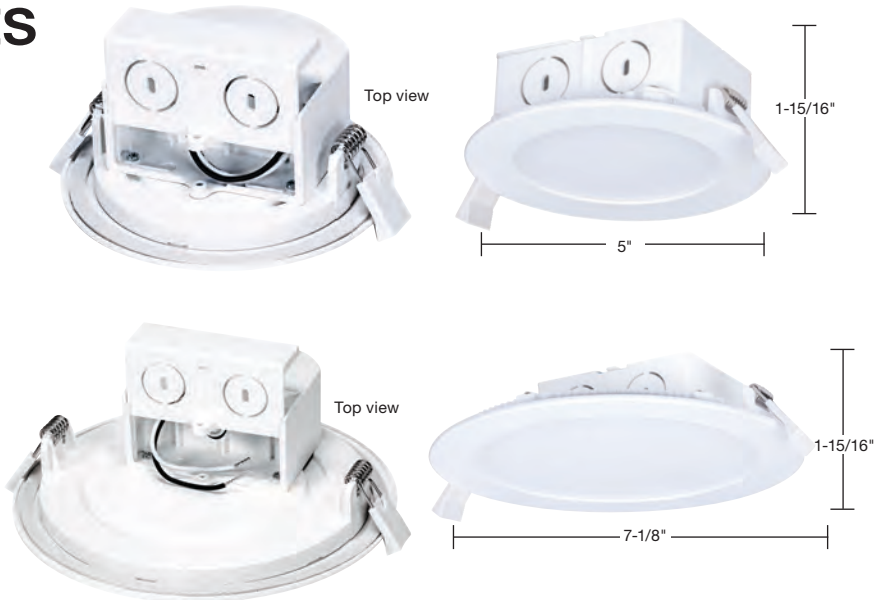
Item Number	Lamp Description	W	V	CRI	CCT	Lm	Bm	M.O.L. (Inches)	Life/Hrs.	UPC	Pack
S39770■	11.5WLED/5-6/SQ/27K/120V	11.5	120	90	2700K	1000	90°	5-6	50K	045923397707	12/1
S39771*	11.5WLED/5-6/SQ/30K/120V	11.5	120	90	3000K	1000	90°	5-6	50K	045923397714	12/1
S39772■	11.5WLED/5-6/SQ/40K/120V	11.5	120	90	4000K	1000	90°	5-6	50K	045923397721	12/1
S39773*	11.5WLED/5-6/SQ/50K/120V	11.5	120	90	5000K	1000	90°	5-6	50K	045923397738	12/1

\*\*\* Consult Satco or visit [www.satco.com](http://www.satco.com) for an up to date dimmer compatibility list. ■ Also T24 compliant.

Product sheet SA2048

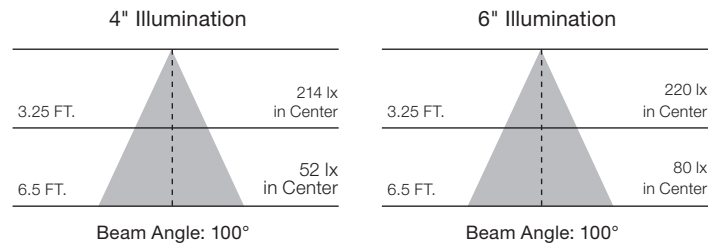
# 4" & 6" LED direct wire edge-lit downlights

- Residential
- Office
- Retail
- Hospitality
- Drop ceilings
- Remodeling
- **4" Direct replacement for 45 Watt reflector lamps uses only 8.5 Watts**
- **6" Direct replacement for 65 Watt reflector lamps uses only 11.6 Watts**
- Edge-lit technology
- Slim design
- Integrated j-box for direct wire installation saves time and materials
- Damp location
- Dimmable
- c-UL-us listed
- Long life—40,000 hours
- ENERGY STAR® certified\*
- 5 Year warranty



## Highlights

- Easy install spring clips
- IC rated
- Low profile
- No recessed can required



## 4" LED Direct Wire Edge-Lit Downlights



Item Number	Lamp Description	W	V	CRI	CCT	Lm	Bm	M.O.L. (Inches)	Life/ Hrs.	UPC	Pack
S29055*	8.5WLED/DW/EL/4/27K/120V	8.5	120	83	2700K	500	100°	1 15/16	40K	045923200014	12/1
S29056*	8.5WLED/DW/EL/4/30K/120V	8.5	120	83	3000K	500	100°	1 15/16	40K	045923290565	12/1
S29057*	8.5WLED/DW/EL/4/40K/120V	8.5	120	83	4000K	500	100°	1 15/16	40K	045923290572	12/1
S29058*	8.5WLED/DW/EL/4/50K/120V	8.5	120	83	5000K	500	100°	1 15/16	40K	045923290589	12/1

\*\*\* Consult Satco or visit [www.satco.com](http://www.satco.com) for an up to date dimmer compatibility list.

Product sheet SA2293

## 6" LED Direct Wire Edge-Lit Downlights



Item Number	Lamp Description	W	V	CRI	CCT	Lm	Bm	M.O.L. (Inches)	Life/ Hrs.	UPC	Pack
S29061*	11.6WLED/DW/EL/5-6/27K/120V	11.6	120	83	2700K	800	100°	1 15/16	40K	045923290619	12/1
S29062*	11.6WLED/DW/EL/5-6/30K/120V	11.6	120	83	3000K	800	100°	1 15/16	40K	045923290626	12/1
S29063*	11.6WLED/DW/EL/5-6/40K/120V	11.6	120	83	4000K	800	100°	1 15/16	40K	045923290633	12/1
S29059*	11.6WLED/DW/EL/5-6/50K/120V	11.6	120	83	5000K	800	100°	1 15/16	40K	045923290596	12/1

\*\*\* Consult Satco or visit [www.satco.com](http://www.satco.com) for an up to date dimmer compatibility list.

Product sheet SA2294

# 8" LED direct wire, edge-lit, round downlights

## Applications

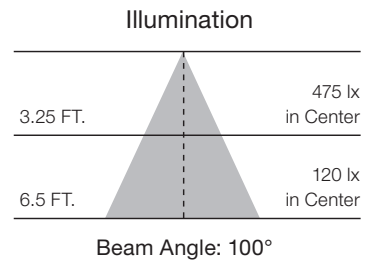
- Residential
- Office
- Retail
- Hospitality
- Drop ceilings
- Remodeling

## Highlights

- Easy install spring clips
- IC rated
- Low profile
- No recessed can required

## Features

- Direct replacement for 85 Watt reflector lamps uses only 18 Watts
- Integrated j-box for direct wire installation saves time and materials
- Dimmable
- 2700K, 3000K, 4000K and 5000K options
- 120V
- CEC/T20 Compliant
- Long life—40,000 hours
- c-ETL-us listed
- Damp location
- ENERGY STAR® certified\*
- 5 Year warranty



## 8" LED Direct Wire, Edge-Lit Downlights



Item Number	Lamp Description	W	V	CRI	CCT	Lm	Bm	M.O.L. (Inches)	Life/Hrs.	UPC	Case Qty.
S11716*■	18WLED/DW/EL/8/27K/120V	18	120	90	2700K	1300	100°	1.94	40K	045923117169	12
S11717*■	18WLED/DW/EL/8/30K/120V	18	120	90	3000K	1300	100°	1.94	40K	045923117176	12
S11718*■	18WLED/DW/EL/8/40K/120V	18	120	90	4000K	1300	100°	1.94	40K	045923117183	12
S11719*■	18WLED/DW/EL/8/50K/120V	18	120	90	5000K	1300	100°	1.94	40K	045923117190	12

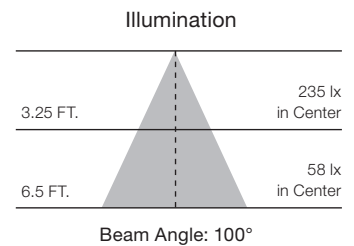
# 4" LED direct wire, back lit downlights

## Applications

- Residential
- Office
- Retail
- Hospitality
- Drop ceilings
- Remodeling
- **Direct replacement for 45 Watt reflector lamps uses only 7 Watts**
- Integrated j-box for direct wire installation saves time and materials
- Wet location
- Dimmable\*\*\*
- c-UL-us listed
- Long life—40,000 hours
- ENERGY STAR® certified\*
- 5 Year warranty

## Highlights

- Easy install spring clips
- IC rated
- Low profile
- No recessed can required



## 4" LED Direct Wire Downlights

Item Number	Lamp Description	W	V	CRI	CCT	Lm	Bm	M.O.L. (Inches)	Life/Hrs.	UPC	Pack
S29011*	7WLED/DW/RDL/4/27K/120V	7	120	83	2700K	550	100°	2 ¾	40K	045923290114	12/1
S29012*	7WLED/DW/RDL/4/30K/120V	7	120	83	3000K	550	100°	2 ¾	40K	045923290121	12/1
S29013*	7WLED/DW/RDL/4/40K/120V	7	120	83	4000K	550	100°	2 ¾	40K	045923290138	12/1
S29021*	7WLED/DW/RDL/4/50K/120V	7	120	83	5000K	550	100°	2 ¾	40K	045923290213	12/1

\*\*\* Consult Satco or visit [www.satco.com](http://www.satco.com) for an up to date dimmer compatibility list.

Product sheet SA2295



Top view



2-13/16"

6-11/16"

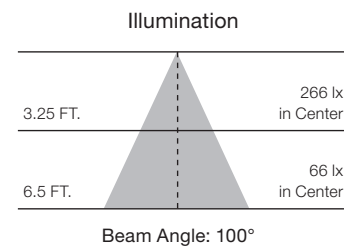
**RECESSED**

# 6" LED direct wire, back lit downlights

- Residential
- Office
- Retail
- Hospitality
- Drop ceilings
- Remodeling
- **Direct replacement for 65 Watt reflector lamps uses only 9 Watts**
- Integrated j-box for direct wire installation saves time and materials
- Wet location
- Dimmable\*\*\*
- c-UL-us listed
- Long life—40,000 hours
- ENERGY STAR® certified\*
- 5 Year warranty

## Highlights

- Easy install spring clips
- IC rated
- Low profile
- No recessed can required



## 6" LED Direct Wire Downlights



Item Number	Lamp Description	W	V	CRI	CCT	Lm	Bm	M.O.L. (Inches)	Life/Hrs.	UPC	Pack
S29026*	9WLED/DW/RDL/5-6/27K/120V	9	120	83	2700K	700	100°	2 13/16	40K	045923290268	12/1
S29027*	9WLED/DW/RDL/5-6/30K/120V	9	120	83	3000K	700	100°	2 13/16	40K	045923290275	12/1
S29028*	9WLED/DW/RDL/5-6/40K/120V	9	120	83	4000K	700	100°	2 13/16	40K	045923290282	12/1
S29029*	9WLED/DW/RDL/5-6/50K/120V	9	120	83	5000K	700	100°	2 13/16	40K	045923290299	12/1

\*\*\* Consult Satco or visit [www.satco.com](http://www.satco.com) for an up to date dimmer compatibility list.

Product sheet SA2296



# 4" LED direct wire, gimbal downlights

## Applications

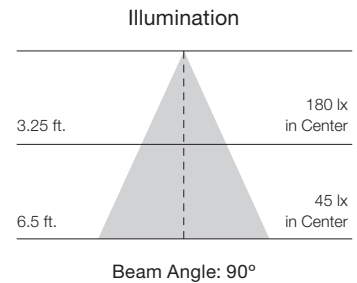
- Residential
- Office
- Retail
- Hospitality
- Drop ceilings
- Remodeling

## Highlights

- Easy install spring clips
- IC rated
- Low profile
- No recessed can required

## Features

- **Direct replacement for 45 Watt reflector lamps uses only 7 Watts**
- Integrated j-box for direct wire installation saves time and materials
- Dimmable\*\*
- 2700K, 3000K, 4000K and 5000K options
- 120V
- CEC/T20/T24 Compliant
- Long life—40,000 hours
- c-ETL-us listed
- Damp location
- ENERGY STAR® certified\*
- 5 Year warranty



## 4" LED Direct Wire Gimbal Downlights



Item Number	Lamp Description	W	V	CRI	CCT	Lm	Bm	M.O.L. (Inches)	Life/Hrs.	UPC	Case Qty.
S11708■	7WLED/DW/GBL/4/27K/120V	7	120	90	2700K	490	90°	3.23	40K	045923117084	12
S11709■	7WLED/DW/GBL/4/30K/120V	7	120	90	3000K	490	90°	3.23	40K	045923117091	12
S11710■	7WLED/DW/GBL/4/40K/120V	7	120	90	4000K	490	90°	3.23	40K	045923117107	12
S11711*	7WLED/DW/GBL/4/50K/120V	7	120	90	5000K	490	90°	3.23	40K	045923117114	12

■ Also T24 compliant.

Product sheet SA2000-2

# 6" LED direct wire, gimbal downlights

## Applications

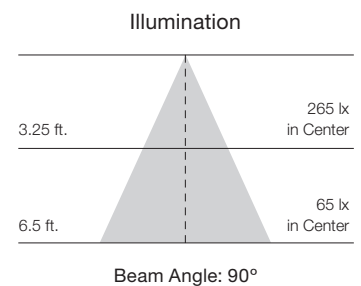
- Residential
- Office
- Retail
- Hospitality
- Drop ceilings
- Remodeling

## Highlights

- Easy install spring clips
- IC rated
- Low profile
- No recessed can required

## Features

- **Direct replacement for 65 Watt reflector lamps uses only 9 Watts**
- Integrated j-box for direct wire installation saves time and materials
- Dimmable\*\*
- 2700K, 3000K, 4000K and 5000K options
- 120V
- CEC/T20/T24 Compliant
- Long life—40,000 hours
- c-ETL-us listed
- Damp location
- ENERGY STAR® certified\*
- 5 Year warranty



## 6" LED Direct Wire Gimbal Downlights



Item Number	Lamp Description	W	V	CRI	CCT	Lm	Bm	M.O.L. (Inches)	Life/ Hrs.	UPC	Case Qty.
S11712*■	9WLED/DW/GBL/6/27K/120V	9	120	90	2700K	720	90°	3.68	40K	045923117121	12
S11713*■	9WLED/DW/GBL/6/30K/120V	9	120	90	3000K	720	90°	3.68	40K	045923117138	12
S11714*■	9WLED/DW/GBL/6/40K/120V	9	120	90	4000K	720	90°	3.68	40K	045923117145	12
S11715*	9WLED/DW/GBL/6/50K/120V	9	120	90	5000K	720	90°	3.68	40K	045923117152	12

\*\*Consult Satco or visit [www.satco.com](http://www.satco.com) for an up to date dimmer compatibility list. ■ Also T24 compliant.

Product sheet SA2000-2

# 4" LED direct wire, back-lit, square trim downlights

## Applications

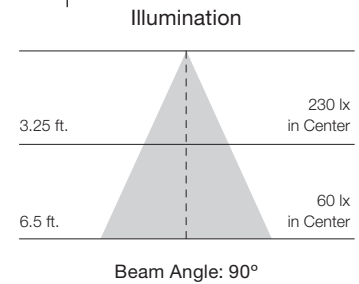
- Residential
- Office
- Retail
- Hospitality
- Drop ceilings
- Remodeling

## Highlights

- Easy install spring clips
- IC rated
- Low profile
- No recessed can required

## Features

- **Direct replacement for 45 Watt reflector lamps uses only 7 Watts**
- Integrated j-box for direct wire installation saves time and materials
- Dimmable\*\*
- 2700K, 3000K, 4000K and 5000K options
- 120V
- CEC/T20/T24 Compliant
- Long life—40,000 hours
- c-ETL-us listed
- Wet location
- ENERGY STAR® certified\*
- 5 Year warranty



## 4" LED Direct Wire, Square Downlights



Item Number	Lamp Description	W	V	CRI	CCT	Lm	Bm	M.O.L. (Inches)	Life/Hrs.	UPC	Case Qty.
S11700*■	7WLED/DW/SQ/4/27K/120V	7	120	90	2700K	490	90°	2.95	40K	045923117008	12
S11701*■	7WLED/DW/SQ/4/30K/120V	7	120	90	3000K	490	90°	2.95	40K	045923117015	12
S11702*■	7WLED/DW/SQ/4/40K/120V	7	120	90	4000K	490	90°	2.95	40K	045923117022	12
S11703*	7WLED/DW/SQ/4/50K/120V	7	120	90	5000K	490	90°	2.95	40K	045923117039	12

\*\*Consult Satco or visit [www.satco.com](http://www.satco.com) for an up to date dimmer compatibility list. ■ Also T24 compliant.

Product sheet SA2000-2

# 6" LED direct wire, back-lit, square trim downlights

## Applications

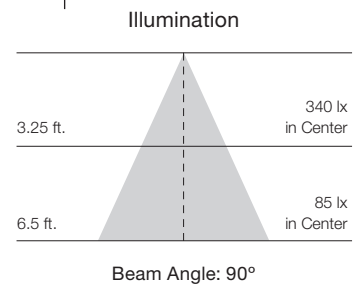
- Residential
- Office
- Retail
- Hospitality
- Drop ceilings
- Remodeling

## Highlights

- Easy install spring clips
- IC rated
- Low profile
- No recessed can required

## Features

- **Direct replacement for 65 Watt reflector lamps uses only 9 Watts**
- Integrated j-box for direct wire installation saves time and materials
- Dimmable\*\*
- 2700K, 3000K, 4000K and 5000K options
- 120V
- CEC/T20/T24 Compliant
- Long life—40,000 hours
- c-ETL-us listed
- Wet location
- ENERGY STAR® certified\*
- 5 Year warranty



## 6" LED Direct Wire, Square Downlights



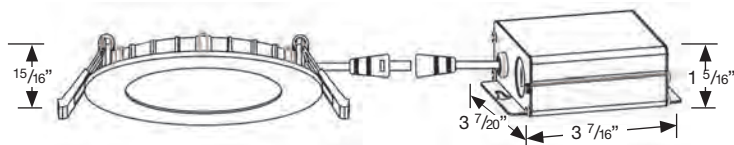
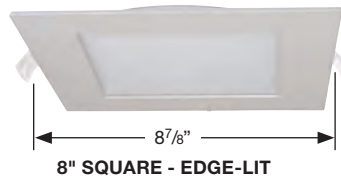
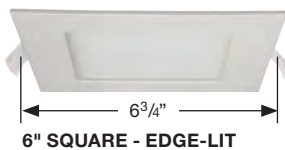
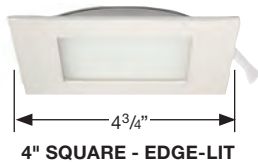
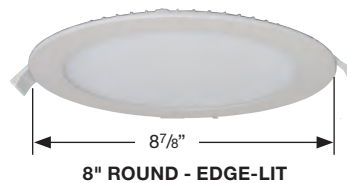
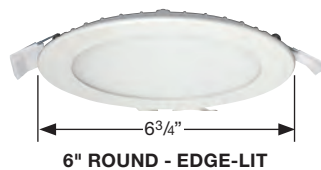
Item Number	Lamp Description	W	V	CRI	CCT	Lm	Bm	M.O.L. (Inches)	Life/Hrs.	UPC	Case Qty.
S11704*■	9WLED/DW/SQ/6/27K/120V	9	120	90	2700K	720	90°	3.19	40K	045923117046	12
S11705*■	9WLED/DW/SQ/6/30K/120V	9	120	90	3000K	720	90°	3.19	40K	045923117053	12
S11706*■	9WLED/DW/SQ/6/40K/120V	9	120	90	4000K	720	90°	3.19	40K	045923117060	12
S11707*	9WLED/DW/SQ/6/50K/120V	9	120	90	5000K	720	90°	3.19	40K	045923117077	12

\*\*Consult Satco or visit [www.satco.com](http://www.satco.com) for an up to date dimmer compatibility list. ■ Also T24 compliant.

Product sheet SA2000-2

# Low profile LED edge-lit downlights

- Slim profile fixture and external, remote driver offer almost limitless installation options
- Perfect for renovations with tight or hard to reach spaces
- Light weight
- No recessed can required
- As little as 1" height clearance required
- Air-tight for safe use with insulated or non-insulated ceilings
- External driver/j box for easy placement
- Easy install spring clips
- >90 CRI
- Dimmable
- Wet location
- c-ETL-us Listed
- Long life—50,000 hours
- ENERGY STAR certified
- 5 Year warranty



# Low profile LED edge-lit downlights

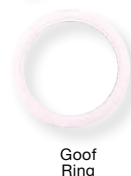
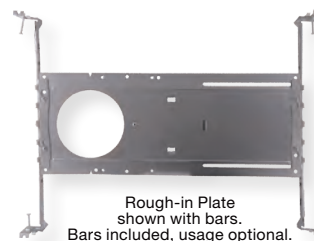


Item Number	Lamp Description	W	V	CRI	CCT	Lm	Bm	M.O.L. (Inches)	Life/ Hrs.	UPC	Pack/ Master
<b>4" ROUND - EDGE-LIT 4 1/8" Ceiling opening</b>											
S11600	10WLED/DW/EL/4/930/RND/RD	10	120	90	3000K	670	108°	0.4	50K	045923116001	12/1
S11601	10WLED/DW/EL/4/940/RND/RD	10	120	90	4000K	670	108°	0.4	50K	045923116018	12/1
S11602	10WLED/DW/EL/4/950/RND/RD	10	120	90	5000K	670	108°	0.4	50K	045923116025	12/1
<b>6" ROUND - EDGE-LIT 6" Ceiling opening</b>											
S11603	12WLED/DW/EL/6/930/RND/RD	12	120	90	3000K	850	108°	0.4	50K	045923116032	12/1
S11604	12WLED/DW/EL/6/940/RND/RD	12	120	90	4000K	850	108°	0.4	50K	045923116049	12/1
S11605	12WLED/DW/EL/6/950/RND/RD	12	120	90	5000K	850	108°	0.4	50K	045923116056	12/1
<b>8" ROUND - EDGE-LIT 8" Ceiling opening</b>											
S11606	24WLED/DW/EL/8/930/RND/RD	24	120	90	3000K	1800	108°	0.4	50K	045923116063	12/1
S11607	24WLED/DW/EL/8/940/RND/RD	24	120	90	4000K	1800	108°	0.4	50K	045923116070	12/1
S11608	24WLED/DW/EL/8/950/RND/RD	24	120	90	5000K	1800	108°	0.4	50K	045923116087	12/1
<b>4" SQUARE - EDGE-LIT 4 1/8" Ceiling opening</b>											
S11609	10WLED/DW/EL/4/930/SQ/RD	10	120	90	3000K	620	108°	0.4	50K	045923116094	12/1
S11610	10WLED/DW/EL/4/940/SQ/RD	10	120	90	4000K	620	108°	0.4	50K	045923116100	12/1
S11611	10WLED/DW/EL/4/950/SQ/RD	10	120	90	5000K	620	108°	0.4	50K	045923116117	12/1
<b>6" SQUARE - EDGE-LIT 6" Ceiling opening</b>											
S11612	12WLED/DW/EL/6/930/SQ/RD	12	120	90	3000K	820	108°	0.4	50K	045923116124	12/1
S11613	12WLED/DW/EL/6/940/SQ/RD	12	120	90	4000K	820	108°	0.4	50K	045923116131	12/1
S11614	12WLED/DW/EL/6/950/SQ/RD	12	120	90	5000K	820	108°	0.4	50K	045923116148	12/1
<b>8" SQUARE - EDGE-LIT 8" Ceiling opening</b>											
S11615	24WLED/DW/EL/8/930/SQ/RD	24	120	90	3000K	1700	108°	0.4	50K	045923116155	12/1
S11616	24WLED/DW/EL/8/940/SQ/RD	24	120	90	4000K	1700	108°	0.4	50K	045923116162	12/1
S11617	24WLED/DW/EL/8/950/SQ/RD	24	120	90	5000K	1700	108°	0.4	50K	045923116179	12/1

RECESSED

Product sheet SA2000-2

Item Number	Description
<b>ACCESSORIES</b>	
80-942	ROUGH-IN PLATE / BARS 3.5" RD
80-943	ROUGH-IN PLATE / BARS 4" RD
80-944	ROUGH-IN PLATE / BARS 6" RD
80-945	ROUGH-IN PLATE / BARS 8" RD
80-946	GOOF RING 4" - DIRECT WIRE DL
80-947	GOOF RING 6" - DIRECT WIRE DL
80-948	GOOF RING 8" - DIRECT WIRE DL
80-949	REMOTE DRIVER 6' EXTENSION CABLE



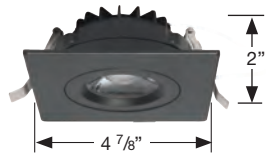


# Low profile LED downlights

- Slim profile fixture and external, remote driver offer almost limitless installation options
- Perfect for renovations with tight or hard to reach spaces
- Light weight
- No recessed can required
- Air-tight for safe use with insulated or non-insulated ceilings
- External driver/j box for easy placement
- Easy install spring clips
- >90 CRI
- Dimmable
- Wet location
- c-ETL-us Listed
- Long life—50,000 hours
- ENERGY STAR certified
- 5 Year warranty



4 1/2" ROUND - GIMBAL



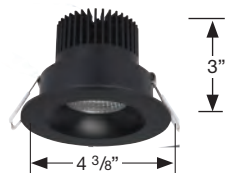
4 1/2" SQUARE - GIMBAL



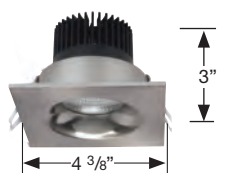
3 1/2" ROUND - GIMBAL



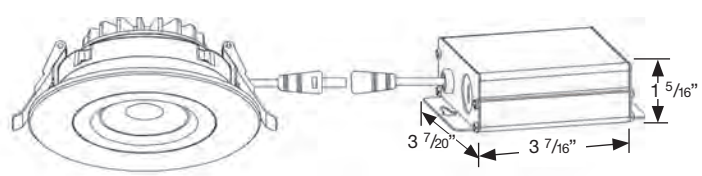
3 1/2" ROUND - GIMBAL



3 1/2" ROUND - DOWNLIGHT



3 1/2" SQUARE - DOWNLIGHT



# Low profile LED downlights



Item Number	Lamp Description	W	V	CRI	CCT	Lm	Bm	M.O.L. (Inches)	Life/Hrs.	UPC	Pack/Master
<b>4 1/2" ROUND - GIMBAL - 30° Aiming Angle 4 1/2" Ceiling opening</b>											
S11618	12WLED/DW/GBL/4/930/RND/RD/WHITE	12	120	90	3000K	850	40°	2	50K	045923116186	12/1
S11619	12WLED/DW/GBL/4/930/RND/RD/BLACK	12	120	90	3000K	850	40°	2	50K	045923116193	12/1
S11620	12WLED/DW/GBL/4/930/RND/RD/BRUSHEDNICKEL	12	120	90	3000K	850	40°	2	50K	045923116209	12/1
<b>4 1/2" SQUARE - GIMBAL - 30° Aiming Angle 4 1/2" Ceiling opening</b>											
S11621	12WLED/DW/GBL/4/930/SQ/RD/WHITE	12	120	90	3000K	850	40°	2	50K	045923116216	12/1
S11622	12WLED/DW/GBL/4/930/SQ/RD/BLACK	12	120	90	3000K	850	40°	2	50K	045923116223	12/1
S11623	12WLED/DW/GBL/4/930/SQ/RD/BRUSHEDNICKEL	12	120	90	3000K	850	40°	2	50K	045923116230	12/1
<b>3 1/2" ROUND - GIMBAL - 15° Aiming Angle 3 1/2" Ceiling opening</b>											
S11624	12WLED/DW/GBL/3/930/RND/RD/WHITE	12	120	90	3000K	840	40°	3	50K	045923116247	12/1
S11625	12WLED/DW/GBL/3/930/RND/RD/BLACK	12	120	90	3000K	840	40°	3	50K	045923116254	12/1
S11626	12WLED/DW/GBL/3/930/RND/RD/BRUSHEDNICKEL	12	120	90	3000K	840	40°	3	50K	045923116261	12/1
<b>3 1/2" SQUARE - GIMBAL - 15° Aiming Angle 3 1/2" Ceiling opening</b>											
S11627	12WLED/DW/GBL/3/930/SQ/RD/WHITE	12	120	90	3000K	840	40°	3	50K	045923116278	12/1
S11628	12WLED/DW/GBL/3/930/SQ/RD/BLACK	12	120	90	3000K	840	40°	3	50K	045923116285	12/1
S11629	12WLED/DW/GBL/3/930/SQ/RD/BRUSHEDNICKEL	12	120	90	3000K	840	40°	3	50K	045923116292	12/1
<b>3 1/2" ROUND - DOWNLIGHT 3 1/2" Ceiling opening</b>											
S11630	12WLED/DW/DNL3/930/RND/RD/WHITE	12	120	90	3000K	840	40°	3	50K	045923116308	12/1
S11631	12WLED/DW/DNL3/930/RND/RD/BLACK	12	120	90	3000K	840	40°	3	50K	045923116315	12/1
S11632	12WLED/DW/DNL3/930/RND/RD/BRUSHEDNICKEL	12	120	90	3000K	840	40°	3	50K	045923116322	12/1
<b>3 1/2" SQUARE - DOWNLIGHT 3 1/2" Ceiling opening</b>											
S11633	12WLED/DW/DNL3/930/SQ/RD/WHITE	12	120	90	3000K	840	40°	3	50K	045923116339	12/1
S11634	12WLED/DW/DNL3/930/SQ/RD/BLACK	12	120	90	3000K	840	40°	3	50K	045923116346	12/1
S11635	12WLED/DW/DNL3/930/SQ/RD/BRUSHEDNICKEL	12	120	90	3000K	840	40°	3	50K	045923116353	12/1

RECESSED

Product sheet SA2000-2

Item Number	Description
<b>ACCESSORIES</b>	
80-942	ROUGH-IN PLATE / BARS 3.5" RD
80-943	ROUGH-IN PLATE / BARS 4" RD
80-944	ROUGH-IN PLATE / BARS 6" RD
80-945	ROUGH-IN PLATE / BARS 8" RD
80-946	GOOF RING 4" - DIRECT WIRE DL
80-947	GOOF RING 6" - DIRECT WIRE DL
80-948	GOOF RING 8" - DIRECT WIRE DL
80-949	REMOTE DRIVER 6' EXTENSION CABLE



# 6" & 8" 3000K Commercial recessed LED downlights

- Office
- Retail
- Hospitality
- Manufacturing
- Replace up to 2 x 18W CFLs per fixture
- External driver for simple retrofitting
- Quick connect for easy installation
- 120-277 range voltage circuit
- 0-10V dimming
- 90 CRI
- Wet location
- c-UL-us Classified
- Long life—50,000 hours
- ENERGY STAR certified\*
- 5 Year warranty



Installs into existing frame-in kit.

Set of 3 retaining clips available.



## 6" & 8" 3000K Commercial LED Recessed Downlights

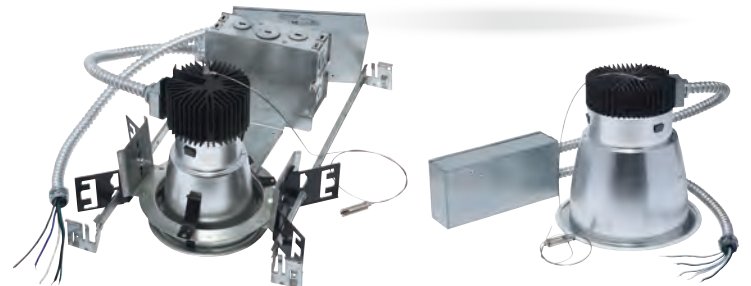


Item Number	Lamp Description	W	V	CRI	CCT	Lm	Bm	M.O.L. (Inches)	Life/Hrs.	UPC	Pack/Master
S9794*	20WLED/CDL/6/30K/120-277V	20	120-277	90	3000K	1500	40°	6	50K	045923097942	8/1
S9795*	30WLED/CDL/6/30K/120-277V	30	120-277	90	3000K	2000	40°	6	50K	045923097959	8/1
S9796*	20WLED/CDL/8/30K/120-277V	20	120-277	90	3000K	1500	40°	8	50K	045923097966	4/1
S9797*	30WLED/CDL/8/30K/120-277V	30	120-277	90	3000K	2000	40°	8	50K	045923097973	4/1

Product sheet SA2000-2

# 4", 6", 8" & 10" 4000K Commercial recessed LED downlights

- Residential/commercial
- Office
- Retail
- Hospitality
- Manufacturing
- Municipal/government
- **Direct replacements for incandescent, Halogen and CFL technologies**
- 4" Replaces up to 2x18 Watt CFLs uses only 15 Watts
- 6" Replaces up to 2x26 Watt CFLs uses only 25 Watts
- 8" Replaces up to 2x32 Watt CFLs or MH70 uses only 35 Watts
- 10" Replaces up to 2x42 Watt CFLs or MH70 uses only 50 Watts
- External driver for simple retrofitting
- Quick connect for easy installation
- 100-277 input voltage
- 0-10V dimming to 10%\*\*\*
- 90 CRI
- Damp location
- IC rated
- c-UL-us Classified
- ENERGY STAR certified\*
- 5 Year warranty



4" shown in mounting bracket



Installs into existing frame-in kit.

Set of 3 retaining clips available.

RECESSED

## 4", 6", 8" & 10" 4000K Commercial LED Recessed Downlights



Item Number	Lamp Description	W	V	CRI	CCT	Lm	Bm	M.O.L. (Inches)	Life/Hrs.	UPC	Pack/Master
S8705*	15WLED/CDL/4/4K/120-277	15	100-277	90	4000K	1020	40°	7 ¼	50K	045923087059	4/1
S8706*	25WLED/CDL/6/4K/120-277	25	100-277	90	4000K	1900	40°	7 ½	50K	045923087066	4/1
S8707*	35WLED/CDL/8/4K/120-277	35	100-277	90	4000K	2800	40°	8 ⅞	50K	045923087073	4/1
S8708*	50WLED/CDL/10/4K/120-277	50	100-277	90	4000K	4000	40°	9 ¼	50K	045923087080	4/1

\*\*\* Visit [www.satco.com](http://www.satco.com) for 0-10V dimmer compatibility

## Commercial LED Recessed Downlight Brackets

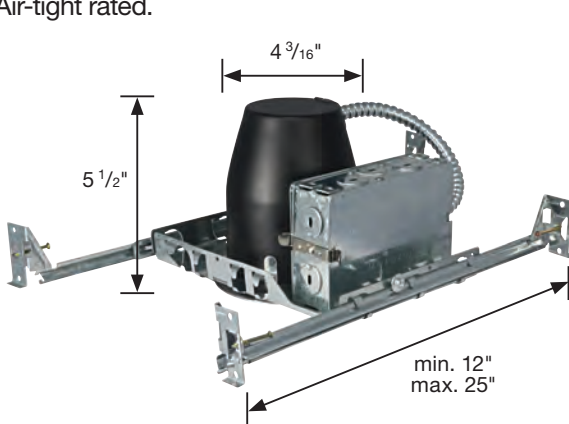


Item Number	Description	UPC	Pack
80-936	MOUNT. PLATE/BARS 4" C-RDL/2PK	045923809361	2pk
80-937	MOUNT. PLATE/BARS 6" C-RDL/2PK	045923809378	2pk
80-938	MOUNT. PLATE/BARS 8" C-RDL/2PK	045923809385	2pk
80-939	MOUNT. PLATE/BARS 10" C-RDL/2PK	045923809392	2pk

Product sheet SA2225

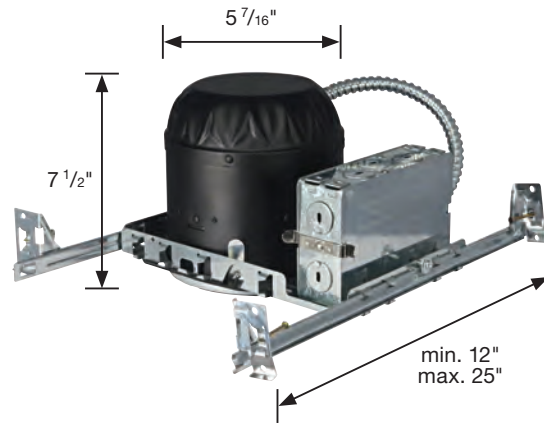
## LED ready recessed can assemblies

Air-tight rated.



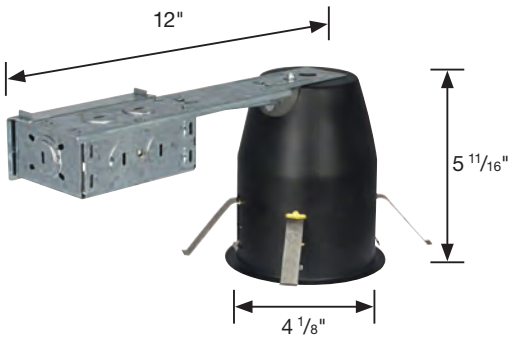
### S9538 4" Can – New Construction

- For 120V, 60Hz, 18W max.
- Suitable for wet and damp locations\*
- For use only with UL or cUL classified LED or equivalent
- IC Rated



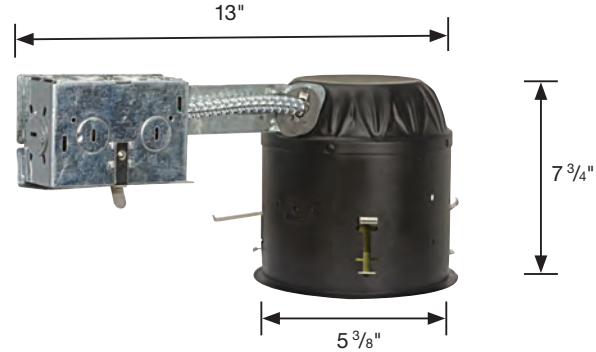
### S9540 5/6" Can – New Construction

- For 120V, 60Hz, 24W max.
- Suitable for wet and damp locations\*
- For use only with UL or cUL classified LED or equivalent
- IC Rated



### S9539 4" Can – Remodel

- For 120V, 60Hz, 18W max.
- Suitable for wet and damp locations\*
- For use only with UL or cUL classified LED or equivalent
- IC Rated



### S9541 5/6" Can – Remodel

- For 120V, 60Hz, 24W max.
- Suitable for wet and damp locations\*
- For use only with UL or cUL classified LED or equivalent
- IC Rated

Quick-connect plugs  
make installation  
even easier.



Product sheet SA1710





## Compact. Efficient. Attractive.

Track lighting has come a long way, and Nuvo Lighting has been a leader in change. Our LED track heads, track lighting kits and accessories are beautiful and functional. A choice of finishes, shapes, clean, sleek design and of course the efficiency of LED technology come together to create a complete track lighting package suitable for even the most challenging commercial and residential applications.

LED track lighting makes challenging projects easy.



# LED track heads

LED efficiency, high quality and great value.

## Features

- Direct replacement for 75 Watt incandescent uses only 12 Watts
- 24° and 36° beam angles
- Dimmable
- 3000K
- 90+ CRI
- 820 lumens
- Long life—30,000 Hours
- Sleek, clean design
- Die cast construction
- 3 Year warranty



### Round

TH401 White, 24°  
 TH403 White, 36°  
 TH402 Black, 24°  
 TH404 Black, 36°  
 TH405 Brushed Nickel, 24°  
 TH407 Brushed Nickel, 36°  
 Dimensions: Width 3",  
 Height 2 1/4", Ext. 5 1/8"

### Pinch Back

TH411 White, 24°  
 TH413 White, 36°  
 TH412 Black, 24°  
 TH414 Black, 36°  
 TH415 Brushed Nickel, 24°  
 TH417 Brushed Nickel, 36°  
 Dimensions: Width 2 3/4",  
 Height 2 3/4", Ext. 5 5/8"

### Angle Arm

TH421 White, 24°  
 TH423 White, 36°  
 TH422 Black, 24°  
 TH424 Black, 36°  
 TH425 Brushed Nickel, 24°  
 TH427 Brushed Nickel, 36°  
 Dimensions: Width 2 1/2",  
 Height 2 3/8", Ext. 6 1/4"

## LED Track Heads



Item Number	Description	W	Lm	Beam	Finish	CCT	Life/Hrs.	UPC	Pack
TH401	Round White 24° LED Track Head	12	820	24°	White	3000K	30K	045923404016	12/1
TH403	Round White 36° LED Track Head	12	820	36°	White	3000K	30K	045923404030	12/1
TH402	Round Black 24° LED Track Head	12	820	24°	Black	3000K	30K	045923404023	12/1
TH404	Round Black 36° LED Track Head	12	820	36°	Black	3000K	30K	045923404047	12/1
TH405	Round Brushed Nickel 24° LED Track Head	12	820	24°	Brushed Nickel	3000K	30K	045923404054	12/1
TH407	Round Brushed Nickel 36° LED Track Head	12	820	36°	Brushed Nickel	3000K	30K	045923404078	12/1
TH411	Pinch Back White 24° LED Track Head	12	820	24°	White	3000K	30K	045923404115	12/1
TH413	Pinch Back White 36° LED Track Head	12	820	36°	White	3000K	30K	045923404139	12/1
TH412	Pinch Back Black 24° LED Track Head	12	820	24°	Black	3000K	30K	045923404122	12/1
TH414	Pinch Back Black 36° LED Track Head	12	820	36°	Black	3000K	30K	045923404146	12/1
TH415	Pinch Back Brushed Nickel 24° LED Track Head	12	820	24°	Brushed Nickel	3000K	30K	045923404153	12/1
TH417	Pinch Back Brushed Nickel 36° LED Track Head	12	820	36°	Brushed Nickel	3000K	30K	045923404177	12/1
TH421	Angle Arm White 24° LED Track Head	12	820	24°	White	3000K	30K	045923404214	12/1
TH423	Angle Arm White 36° LED Track Head	12	820	36°	White	3000K	30K	045923404238	12/1
TH422	Angle Arm Black 24° LED Track Head	12	820	24°	Black	3000K	30K	045923404221	12/1
TH424	Angle Arm Black 36° LED Track Head	12	820	36°	Black	3000K	30K	045923404245	12/1
TH425	Angle Arm Brushed Nickel 24° LED Track Head	12	820	24°	Brushed Nickel	3000K	30K	045923404252	12/1
TH427	Angle Arm Brushed Nickel 36° LED Track Head	12	820	36°	Brushed Nickel	3000K	30K	045923404276	12/1
TH431	12W LED Track head - Barrel	12	820	24°	White	3000K	30K	045923404313	12/1
TH433	12W LED Track head - Barrel	12	820	36°	White	3000K	30K	045923404337	12/1
TH432	12W LED Track head - Barrel	12	820	24°	Black	3000K	30K	045923404320	12/1
TH434	12W LED Track head - Barrel	12	820	36°	Black	3000K	30K	045923404344	12/1
TH435	12W LED Track head - Barrel	12	820	24°	Brushed Nickel	3000K	30K	045923404351	12/1
TH437	12W LED Track head - Barrel	12	820	36°	Brushed Nickel	3000K	30K	045923404375	12/1

Product sheet NU1347, NU1442



### Barrel

TH431 White, 24°  
 TH433 White, 36°  
 TH432 Black, 24°  
 TH434 Black, 36°  
 TH435 Brushed Nickel, 24°  
 TH437 Brushed Nickel, 36°  
 Dimensions: Width 2 1/4",  
 Height 3 1/4", Ext. 5"

### Pipe

TH441 White, 24°  
 TH443 White, 36°  
 TH442 Black, 24°  
 TH444 Black, 36°  
 TH445 Brushed Nickel, 24°  
 TH447 Brushed Nickel, 36°  
 Dimensions: Width 2 3/8",  
 Height 2 3/8", Ext. 5 3/16"

### Taper Back

TH451 White, 24°  
 TH453 White, 36°  
 TH452 Black, 24°  
 TH454 Black, 36°  
 TH455 Brushed Nickel, 24°  
 TH457 Brushed Nickel, 36°  
 Dimensions: Width 2 13/16",  
 Height 3 1/4", Ext. 5 1/4"

### Square

TH461 White, 24°  
 TH463 White, 36°  
 TH462 Black, 24°  
 TH464 Black, 36°  
 TH465 Brushed Nickel, 24°  
 TH467 Brushed Nickel, 36°  
 Dimensions: Width 2 3/8",  
 Height 2 3/4", Ext. 5 3/16"

### Small Cylinder

TH471 White, 24°  
 TH473 White, 36°  
 TH472 Black, 24°  
 TH474 Black, 36°  
 TH475 Brushed Nickel, 24°  
 TH477 Brushed Nickel, 36°  
 Dimensions: Width 2 3/16",  
 Height 3 1/2", Ext. 5 3/16"



Item Number	Description	W	Lm	Beam	Finish	CCT	Life/Hrs.	UPC	Pack
TH441	12W LED Track Head - Pipe	12	820	24°	White	3000K	30K	045923404412	12/1
TH443	12W LED Track Head - Pipe	12	820	36°	White	3000K	30K	045923404436	12/1
TH442	12W LED Track Head - Pipe	12	820	24°	Black	3000K	30K	045923404429	12/1
TH444	12W LED Track Head - Pipe	12	820	36°	Black	3000K	30K	045923404429	12/1
TH445	12W LED Track Head - Pipe	12	820	24°	Brushed Nickel	3000K	30K	045923404450	12/1
TH447	12W LED Track Head - Pipe	12	820	36°	Brushed Nickel	3000K	30K	045923404474	12/1
TH451	12W LED Track Head Taper Back	12	820	24°	White	3000K	30K	045923404511	12/1
TH453	12W LED Track Head Taper Back	12	820	36°	White	3000K	30K	045923404535	12/1
TH452	12W LED Track Head Taper Back	12	820	24°	Black	3000K	30K	045923404528	12/1
TH454	12W LED Track Head Taper Back	12	820	36°	Black	3000K	30K	045923404542	12/1
TH455	12W LED Track Head Taper Back	12	820	24°	Brushed Nickel	3000K	30K	045923404559	12/1
TH457	12W LED Track Head Taper Back	12	820	36°	Brushed Nickel	3000K	30K	045923404573	12/1
TH461	12W LED Track Head Square	12	820	24°	White	3000K	30K	045923404610	12/1
TH463	12W LED Track Head Square	12	820	36°	White	3000K	30K	045923404634	12/1
TH462	12W LED Track Head Square	12	820	24°	Black	3000K	30K	045923404627	12/1
TH464	12W LED Track Head Square	12	820	36°	Black	3000K	30K	045923404641	12/1
TH465	12W LED Track Head Square	12	820	24°	Brushed Nickel	3000K	30K	045923404658	12/1
TH467	12W LED Track Head Square	12	820	36°	Brushed Nickel	3000K	30K	045923404672	12/1
TH471	12W LED Track Small Cylinder	12	820	24°	White	3000K	30K	045923404719	12/1
TH473	12W LED Track Small Cylinder	12	820	36°	White	3000K	30K	045923404733	12/1
TH472	12W LED Track Small Cylinder	12	820	24°	Black	3000K	30K	045923404726	12/1
TH474	12W LED Track Small Cylinder	12	820	36°	Black	3000K	30K	045923404740	12/1
TH475	12W LED Track Small Cylinder	12	820	24°	Brushed Nickel	3000K	30K	045923404757	12/1
TH477	12W LED Track Small Cylinder	12	820	36°	Brushed Nickel	3000K	30K	045923404771	12/1

**TRACK**

Product sheet NU1347, NU1442

# LED track kits and accessories

## Features

- 2460 lumens - 820 lumens per head
- 36° beam angles
- Dimmable
- 3000K
- 90+ CRI
- Long life—30,000 hours
- Sleek, clean design
- Die cast construction
- 3 Year warranty

## Includes

- 4' Track
- Floating canopy power feed
- All necessary mounting hardware

### Round

- TK403 White, 36°
- TK404 Black, 36°
- TK407 Brushed Nickel, 36°



### Pinch Back

- TK413 White, 36°
- TK414 Black, 36°
- TK417 Brushed Nickel, 36°

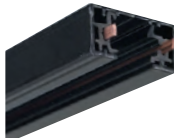


### Angle Arm

- TK423 White, 36°
- TK424 Black, 36°
- TK427 Brushed Nickel, 36°



3 Conductor "H" type connector



Track with end cap removed

## LED Track Kits and Accessories



Item Number	Description	V	Total Watts	Finish	Total Lumens	CCT	Life/Hrs.	UPC	Pack
TK403	Round White 3 Light LED Track Kit	120	36	White	2460	3000K	30K	045923434037	4/1
TK404	Round Black 3 Light LED Track Kit	120	36	Black	2460	3000K	30K	045923434044	4/1
TK407	Round Brushed Nickel 3 Light LED Track Kit	120	36	Brushed Nickel	2460	3000K	30K	045923434075	4/1
TK413	Pinch Back White 3 Light LED Track Kit	120	36	White	2460	3000K	30K	045923434136	4/1
TK414	Pinch Back Black 3 Light LED Track Kit	120	36	Black	2460	3000K	30K	045923434143	4/1
TK417	Pinch Back Brushed Nickel 3 Light LED Track Kit	120	36	Brushed Nickel	2460	3000K	30K	045923434174	4/1
TK423	Angle Arm White 3 Light LED Track Kit	120	36	White	2460	3000K	30K	045923434235	4/1
TK424	Angle Arm Black 3 Light LED Track Kit	120	36	Black	2460	3000K	30K	045923434242	4/1
TK427	Angle Arm Brushed Nickel 3 Light LED Track Kit	120	36	Brushed Nickel	2460	3000K	30K	045923434273	4/1

Product sheet NU1383

# Track accessories

## Tracks

All tracks include two dead end caps and all mounting hardware  
 Dimensions: Height 5/8", Width 1 5/16"  
 (length and color options below)

Size	White	Black	Brushed Nickel
2 FT	TR118	TR119	TR126
4 FT	TR120	TR121	TR127
6 FT	TR124	TR125	TR128
8 FT	TR122	TR123	TR129

Master Carton / 6

See Nuvo NU4030 for complete track program.



## Track Power Feeds



### Floating Canopy

Electrifies the track anywhere along the length of the run  
 TP154 White  
 TP155 Black  
 TP202 Brown



### Conduit Live End

Electrifies the track from the end of the run to a conduit pipe  
 TP169 White  
 TP170 Black  
 TP203 Brown



### Live End and Canopy

Electrifies the track from the end of the run  
 TP152 White  
 TP153 Black  
 TP204 Brown



### "T" Connector

Connects three tracks together in a "T" shape pattern  
 TP148 White  
 TP149 Black  
 TP207 Brown



### Inline Feed

Connects tracks in a straight run and supplies power  
 TP171 White  
 TP172 Black  
 TP211 Brown  
 Master Carton / 12

## Track Connectors



### Mini Straight Connector

Connects tracks in a straight run  
 TP144 White  
 TP145 Black  
 TP 205 Brown



### "L" Connector

Connects tracks at a 90° angle  
 TP146 White  
 TP147 Black  
 TP208 Brown



### "X" Connector

Connects four tracks together in an "X" shape pattern  
 TP150 White  
 TP151 Black  
 TP206 Brown



### Flexible Connector

Variable angle connector  
 TP167 White  
 TP168 Black  
 TP209 Brown

Master Carton / 12

Product sheet NU1383

Thread® linear LED lighting system.  
Simple. Functional. Consistent. Reliable.



**THREAD**®  
LINEAR LED SYSTEM



Cove and  
under-cabinet

Add dramatic LED lighting to any space, simply.



# Thread Linear LED System Technical Overview

## Thread internals

- Advanced on-board IC direct drive technology
- No external driver required
- No capacitor = greater reliability and longer life
- Reduced size

LED Packages



Patented IC Direct Drive Circuitry



## Linear lighting continuity

- Custom PCB (printed circuit board) layout and fixture body design maintain LED package spacing as LED fixtures are joined together.

Consistent 0.5" LED Package Spacing



## Removable diffuser lens (included)

- Softens visual glare
- Reduced reflectivity of LEDs from polished surfaces
- With lens removed lumen output increases by approximately 15%
- Beam angle 110°

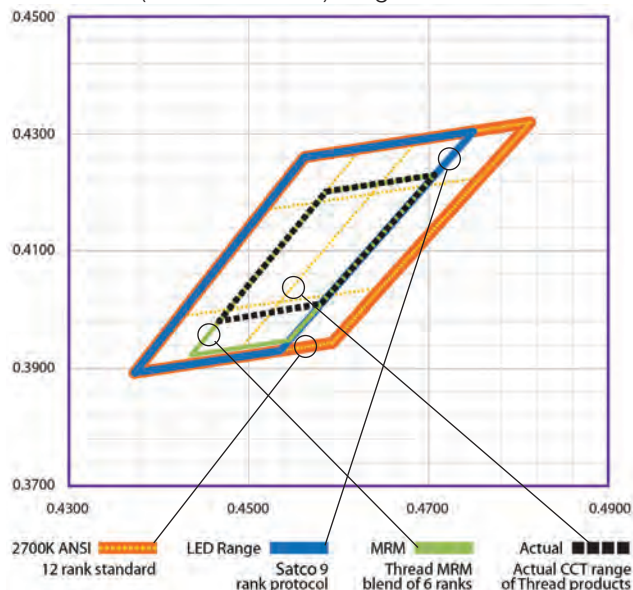


## Advanced color management

### It's what makes Thread different.

- The ANSI range of 2700K is divided into 12 ranks.
- Our LED Packages only use 9 of the 12 ranks within the ANSI standard.
- Without the MRM procedure, the CCT may be spread over the range inside the blue diamond.
- After MRM, the range of CCT will shrink to within the green diamond.
- The Thread system, uses only 6 ranks and blends those ranks, so that the actual CCT range is much smaller and is similar to a 5-step McAdam ellipse. Ranking falls within the black dashed diamond.

MRM (Multi- Rank Mix) Diagram



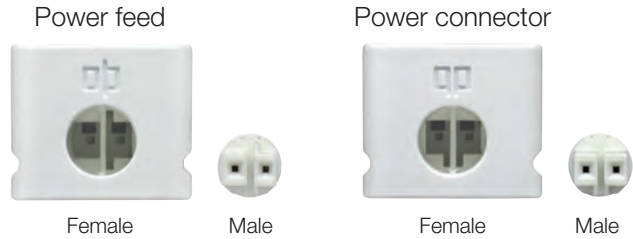
Product sheet NU1185



# Connections are quick and easy

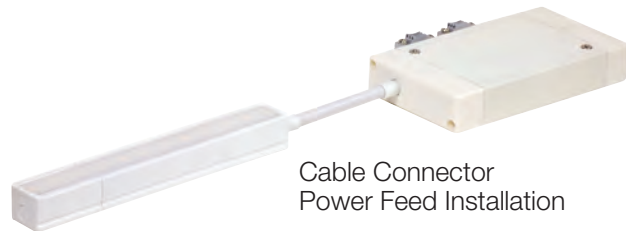
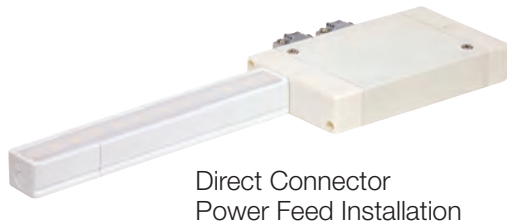
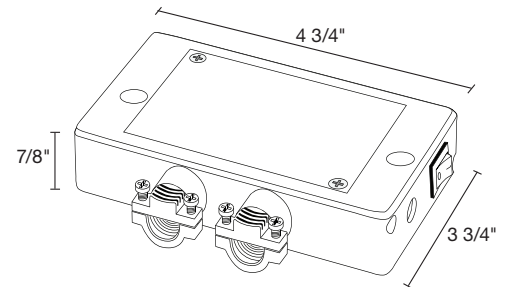
## Keyed connectors

- Assures proper current flow
- Makes connections simple



## Junction box

- Available with and without on/off side mounted rocker switch
- Supplied with 1/4" BX connectors and rubber hole plugs
- Approved for branch circuit wiring
- Accepts 14/3 wire
- 1/2" Knockouts on back of box
- Female power connector located on side of box



## Accessories

Each Thread linear LED system comes with:



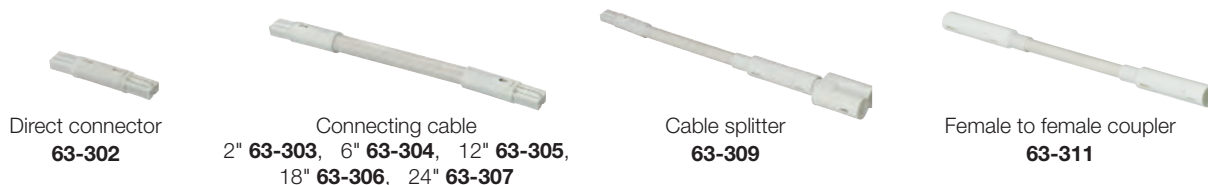
## Power accessories (optional)



Product sheet NU1185

# Accessories

## Connection accessories (optional)



## Key features

- Available in 6", 10", 21" and 30"
- On board IC driver—no external driver required
- 2700K or 3500K
- 312 Lumens per foot at 2700K
- 330 Lumens per foot at 3500K
- CRI 80+
- Diffuser lens for even light—eliminates hot spots and glare - included
- Flat mounting clips, 45° mounting clips, removable diffusing lens and closed end cap included with each unit
- Very low heat, no UV or IR radiation
- Junction box or portable installations—various connection accessories available
- Up to 65' continuous runs off one power feed
- Exact spacing of LEDs, including fixture to fixture for consistent, even lighting
- 50,000 hours rated life
- ENERGY STAR certified for under-cabinet and cove applications
- 5 year warranty\*
- Construction: Extruded polycarbonate body and diffuser lens
- Power: 120V AC
- Light source: LED 2700K and 3500K
- Finish: White
- Dimming to less than 5% with electronic low voltage (ELV) dimmers
- Damp location listed

ENERGY STAR, ETL and FCC certification



Item Number	Size Type	Color Temp.	W	V	Luminous Flux	Luminous Efficacy	Color Index	Beam Angle	Dimensions	Life/Hours	UPC	Pack
63-101	6"	2700K	1.8	120	166	86	80↑	110°	6" L x .826" W x .708" H	50K	045923261015	6/1
63-201	6"	3500K	1.8	120	180	100	80↑	110°	6" L x .826" W x .708" H	50K	045923262012	6/1
63-102	10"	2700K	3	120	268	89	80↑	110°	10" L x .826" W x .708" H	50K	045923261022	6/1
63-202	10"	3500K	3	120	278	92	80↑	110°	10" L x .826" W x .708" H	50K	045923262029	6/1
63-103	21"	2700K	7	120	593	84	80↑	110°	21" L x .826" W x .708" H	50K	045923261039	6/1
63-203	21"	3500K	7	120	607	86	80↑	110°	21" L x .826" W x .708" H	50K	045923262036	6/1
63-104	30"	2700K	10	120	804	80	80↑	110°	30" L x .826" W x .708" H	50K	045923261046	6/1
63-204	30"	3500K	10	120	833	83	80↑	110°	30" L x .826" W x .708" H	50K	045923262043	6/1

Product sheet NU1185



## Satco smart home Z wave enabled devices

Control lighting and small appliances from smart phones, anywhere, anytime.

Satco's new smart home wall switches and plug-in modules allow you to control lighting, and even small appliances, right from a smart phone, anywhere you are. Enable the app for your home's Z-Wave enabled hub in a phone, and it will speak directly to our products. And each switch or module are signal repeaters, meaning the signal hops from one to the next creating a complete "mesh network" throughout the home, controllable from anywhere. Z-Wave is the most open development environment for smart products and services, and is the protocol of choice for more than 400 of today's leading global manufacturers. And service providers have made Z Wave their protocol of choice as well. Satco's smart home plug-in modules and switches make Satco part of the world's largest ecosystem of smart "things" for the IOT.

# Smart home gear: 86-100 plug-in appliance module

## Features

- Turns ON/OFF incandescent, CFL, or LED lamps, and AC operated electrical appliances
- LED back-lit Key for manual ON/OFF and status indicator
- Z-Wave Plus Certified
- Controls appliances up to 15A
- Functions as Z-Wave signal repeater
- Grounded 3-pin AC power receptacle to enhance safety
- Compact design - does not block the 2nd AC outlet
- Over-The-Air firmware upgrade available, if supported by controller
- Supports Network Wide Inclusion (inclusion through a repeater), if supported by controller
- Powered by Sigma Design 500 Series module inside



## General

Parameter	
Operating Temperature	32° F to 104° F
Storage Temperature	-4° F to 140° F
Storage Humidity	80%
Electrical Ratings	
Input Voltage	120 VAC RMS
Input Frequency	60Hz
Maximum Output Load	900W incandescent, 200W CFL/LED, ½ horsepower motor and 15A, 1800W resistive load
Fuse	0.5A
Z-Wave Frequency for USA and Canada	908.4Mhz at 40kps, 916Mhz at 100kps
Wireless Range (controller & repeater)	130 ft. at open air, 1 meter high, LOS
Modulation	FSK/GFSK
Tx Power from IC setting	2 dbm
Rx Sensitivity at 40 kps	-99 dbm
Rx Sensitivity at 100 kps	-91.8 dbm

## Mechanical Parameters

Dimensions	Body: L3.27" X W2.13" X H1.5"
With plug:	L3.27" X W2.13" X H2.32"
Color	Munsell N9 Apple White
Material	PC, Type 6485

## Supplied Parts

Description	Quantity
86-100 Plug-In Appliance Module	1
Instruction Manual	1

Product sheet SA2070



# Smart home gear: 86-101 plug-in dimmer module

## Features

- Works with incandescent and most dimmable fluorescent (CFL), or LED lighting
- LED back-lit Key for manual ON/OFF and status indicator
- GROUP/SCENE/ALL enabled, if supported by controller
- Over-The-Air firmware upgrade available, if supported by controller
- Supports Network Wide Inclusion (inclusion through a repeater), if supported by controller
- Powered by Sigma Design 500 Series module inside
- Compact design - does not block the 2nd AC outlet
- Functions as Z-Wave repeater



## General

Parameter	
Operating Temperature	32° F to 104° F
Storage Temperature	-4° F to 140° F
Storage Humidity	80%
Electrical Ratings	
Input Voltage	120 VAC RMS
Input Frequency	60Hz
Maximum Output Load	Incandescent 300W (2.5A), Dimmable CFL/LED 65W Fuse 5A
Fuse	5A
Dimmer conduction angle	90% at max fully on position
Z-Wave Frequency for USA and Canada	908.4Mhz at 40kps, 916Mhz at 100kps
Wireless Range (controller & repeater)	130 ft. at open air, 1 meter high, LOS
Modulation	FSK/GFSK
Tx Power from IC setting	2 dbm
Rx Sensitivity at 40 kps	-99 dbm
Rx Sensitivity at 100 kps	-91.8 dbm

Mechanical Parameters	
Dimensions	Body: L3.27" X W2.13" X H1.5"
With plug:	L3.27" X W2.13" X H1.5"
Color	Munsell N9 Apple White
Material	PC, Type 6485

Supplied Parts	
Description	Quantity
86-101 Plug-In Dimmer Module 1	1
Instruction Manual	1

Product sheet SA2071





# Smart home gear: 86-102 in-wall light switch

## Features

- Works with incandescent lamps, fluorescent (CFL), and LED lighting
- Fits standard wall plate (not included)
- Z-Wave Plus Certified
- Clean design with white LED status indicator
- GROUP/ALL enabled, if supported by controller
- Multiple scene control using double and triple tap
- Provides instant manual status change to controller
- Supports Central Scene command class
- Over-The-Air firmware upgrade available, if supported by controller
- Supports Network Wide Inclusion (inclusion through a repeater), if supported by controller
- Powered by Sigma Design 500 Series module inside
- Functions as a Z-Wave signal repeater
- Supports screw and wire terminals



## General

Parameter	
Operating Temperature	32° F to 104° F
Storage Temperature	-4° F to 140° F
Storage Humidity	80%
Electrical Ratings	
Input Voltage	120 VAC RMS
Input Frequency	60Hz
Wire Terminals	Requires neutral
Maximum Output Load	900W incandescent, 200W CFL/LED, ½ horsepower motor and 15A, 1800W resistive load
Fuse	0.5A
Z-Wave Frequency for USA and Canada	908.4Mhz at 40kps, 916Mhz at 100kps
Wireless Range (controller & repeater)	130 ft. at open air, 1 meter high, LOS
Modulation	FSK/GFSK
Tx Power from IC setting	2 dbm
Rx Sensitivity at 40 kps	-99 dbm
Rx Sensitivity at 100 kps	-91.8 dbm
Standby Current	25mA

## Mechanical Parameters

Dimensions	Body:2.8"x1.71"x1.41" Yoke: 4.13"x2.13"x.076"
Minimum Hole for Wire	Accepts #12 AWG (0.081" dia) Doesn't Accept #8 AWG (0.1285" dia)
Wire Type	Copper or plated aluminum
Clamp Parts	Copper only
Wire Binding Screws	UL 486a/b: Minimum Dia=#6(.138) Max Threads/inch = 36
Color	Munsell N9 Apple White
Material	PC, Type 6485

## Supplied Parts

Description	Quantity
86-102 In-Wall Light Switch	1
Mounting Screws	2
Instruction Manual	1

Product sheet SA2072





# Smart home gear: 86-103 in-wall dimmer

## Features

- Works with incandescent and most dimmable fluorescent (CFL), or LED lighting
- 7 LEDs to indicate ON/OFF/Dimming level status
- Fits standard wall plate (not included)
- Z-Wave Plus Certified
- GROUP/ALL enabled, if supported by controller
- Multiple scene control using double and triple tap
- Provides instant manual status change to controller
- Supports Central Scene command class
- Over-The-Air firmware upgrade available, if supported by controller
- Supports Network Wide Inclusion (inclusion through a repeater), if supported by controller
- Powered by Sigma Design 500 Series module inside
- Functions as a Z-Wave signal repeater
- Supports screw and wire terminals



## General

Parameter	
Operating Temperature	32° F to 104° F
Storage Temperature	-4° F to 140° F
Storage Humidity	80%
Electrical Ratings	
Input Voltage	120 VAC RMS
Input Frequency	60Hz
Maximum Output Load	Incandescent (600W, single gang), Dimmable CFL/LED (150W)
Wire Terminals	Requires neutral
Fuse	10A
Z-Wave Frequency for USA and Canada	908.4Mhz at 40kps, 916Mhz at 100kps
Wireless Range (controller & repeater)	130 ft. at open air, 1 meter high, LOS
Modulation	FSK/GFSK
Tx Power from IC setting	2 dbm
Rx Sensitivity at 40 kps	-99 dbm
Rx Sensitivity at 100 kps	-91.8 dbm
Standby Current	25mA

## Mechanical Parameters

Dimensions	Body:2.8"x1.71"x1.41" Yoke: 4.13"x2.13"x.076"
Wire Terminals	Line, Load, Ground, Traveler, Neutral
Minimum Hole for Wire	Accepts #12 AWG (0.081" dia) Doesn't Accept #8 AWG (0.1285" dia)
Wire Type	Copper or plated aluminum
Clamp Parts	Copper only
Wire Binding Screws	UL 486a/b: Minimum Dia=#6(.138) Max Threads/inch = 36
Color	Munsell N9 Apple White
Material	PC, Type 6485

## Supplied Parts

Description	Quantity
86-103 In-Wall Dimmer	1
Mounting Screws	2
Instruction Manual	1

Product sheet SA2073



# Smart home gear: 86-104 3-way auxiliary switch

## Features

- 3 way switch that works with Satco 86-102 wall switch or 86-103 wall dimmer
- Fits standard wall plate (not included)
- Reliable and affordable way to add 3 way or 4 way switch
- Up to 3 86-104 auxiliary switches (5 way) can be used with one Satco in wall switch or dimmer
- Connects and controls through traveler wire
- When used with Satco 86-103 dimmer, 86-104 can also be used to control dimming
- Multiple scene control using double and triple tap
- Provides instant manual status change to controller
- Supports Central Scene command class
- Supports screw and wire terminals



## General

Parameter	
Operating Temperature	32° F to 104° F
Storage Temperature	-4° F to 140° F
Storage Humidity	80%
Mechanical Parameters	
Dimensions	Body: 2.8"x1.71"x1.41" Yoke: 4.13"x2.13"x.076"
Wire Terminals	Traveler, Neutral, Ground. Requires neutral and traveler wire
Minimum Hole for Wire	Accepts #12 AWG (0.081" dia) Doesn't Accept #8 AWG (0.1285"dia)
Wire Type	Copper only
Clamp Parts	Copper or plated aluminum
Wire Binding Screws	UL 486a/b: Minimum Dia=#6(.138) Max Threads/inch = 36
Color	Munsell N9 Apple White
Material	PC, Type 6485

Supplied Parts	
Description	Quantity
86-104 3 Way Auxiliary Switch	1
Mounting Screws	2
Instruction Manual	1

Product sheet SA2074



Item Number	Page #	Item Number	Page #	Item Number	Page #	Item Number	Page #
60-673	75	62-1139	93	62-1262	63	62-459	60
60-674	75	62-1141R1	94	62-1263	63	62-460	60
60-675	75	62-1142R1	94	62-1264	63	62-468	60
60-676	75	62-1143R1	94	62-1265	63	62-469	60
60-677	75	62-1144R1	94	62-1266	63	62-470	60
60-678	75	62-1145R1	94	62-1267	63	62-745	64
60-679	75	62-1146R1	94	62-1268	63	62-746	64
60-680	75	62-1147	93	62-1291	29	62-747	64
62-1031	57	62-1148	93	62-1292	29	62-748	64
62-1032	57	62-1149	93	62-1294	29, 30	62-765	64
62-1033	57	62-1151	22	62-1295	29, 30	62-766	64
62-1034	57	62-1152	23	62-1301	40	62-786	61
62-1035	54	62-1153	22	62-1302	40	62-787	61
62-1036	54	62-1155	25	62-1303	40	62-788	61
62-1037	54	62-1156	25	62-1304	40	62-789	61
62-1038	54	62-1157	25	62-1305	40	62-791	65
62-1039	55	62-1161	62	62-1306	40	62-792	65
62-1040	55	62-1162	62	62-1307	40	62-795	67
62-1041	54	62-1163	62	62-1308	40	62-796	67
62-1042	59	62-1164	62	62-1310	63	62-797	68
62-1043	59	62-1165	62	62-1311	63	62-798	68
62-1044	59	62-1166	62	62-1312	63	62-928	49
62-1045	56	62-1167	62	62-1313	63	62-971	70
62-1046	56	62-1168	62	62-1371	26	62-972	70
62-1051	22	62-1171	26	62-1372	27	62-975	70
62-1052	23	62-1172	27	62-1373	26	62-976	70
62-1053	22	62-1173	26	62-1374	27	62-977	70
62-1054	24	62-1174	27	62-1375	28	62-978	70
62-1055	25	62-1175	28	62-1376	28	62-981	70
62-1056	25	62-1176	28	62-1377	28	62-982	70
62-1057	25	62-1177	28	62-1381	26	62-991	69
62-1061	15	62-1181	26	62-1382	27	63-101	135
62-1062	15	62-1182	27	62-1383	26	63-102	135
62-1063	15	62-1183	26	62-1384	27	63-103	135
62-1064	15	62-1184	27	62-1385	28	63-104	135
62-1065	15	62-1185	28	62-1386	28	63-201	135
62-1066	15	62-1186	28	62-1387	28	63-202	135
62-1067	15	62-1187	28	62-1431	57	63-203	135
62-1068	15	62-1191	29	62-1432	57	63-204	135
62-1069	15	62-1192	29	62-1435	54	63-301	134
62-1071	17	62-1200	75	62-1436	54	63-302	135
62-1072	17	62-1201	75	62-1437	54	63-303	135
62-1073	17	62-1202	75	62-1438	54	63-304	135
62-1074	17	62-1203	75	62-1439	55	63-305	135
62-1075	17	62-1204	75	62-1440	55	63-306	135
62-1076	17	62-1205	75	62-1441	54	63-307	135
62-1077	17	62-1251	22	62-1442	59	63-309	135
62-1078	17	62-1252	23	62-1443	59	63-311	135
62-1095	66	62-1253	22	62-1444	59	63-314	134
62-1096	66	62-1254	24	62-1445	56	63-315	134
62-1097	66	62-1255	25	62-2932	58	65-054	89
62-1098	66	62-1256	25	62-2934	58	65-055	89
62-1137	93	62-1257	25	62-2936	58	65-062	77
62-1138	93	62-1261	63	62-458	60	65-063	78

Item Number	Page #	Item Number	Page #	Item Number	Page #	Item Number	Page #
65-084.....	89	65-143.....	87	65-234.....	84	65-365.....	12
65-088.....	18	65-144.....	87	65-235.....	84	65-366.....	12
65-089.....	18	65-145.....	87	65-236.....	84	65-367.....	12
65-097.....	79	65-146.....	87	65-237.....	84	65-371.....	9
65-1081.....	47	65-147.....	87	65-238.....	84	65-372.....	9
65-1082.....	47	65-148.....	87	65-239.....	85	65-373.....	9
65-1083.....	47	65-149.....	87	65-240.....	85	65-374.....	9
65-1084.....	47	65-151.....	82	65-241.....	85	65-375.....	9
65-1091.....	47	65-152.....	82	65-242.....	85	65-376.....	9
65-1092.....	47	65-153.....	82	65-244.....	88	65-377.....	9
65-1095.....	47	65-154.....	82	65-245.....	88	65-378.....	9
65-1096.....	47	65-155.....	82	65-251.....	86	65-379.....	9
65-1097.....	47	65-156.....	82	65-252.....	86	65-401.....	97
65-1098.....	47	65-157.....	82	65-253.....	86	65-402.....	97
65-1102.....	48	65-158.....	82	65-254.....	86	65-403.....	96
65-1103.....	48	65-159.....	83	65-255.....	86	65-404.....	96
65-1104.....	48	65-160.....	83	65-256.....	86	65-405.....	97
65-1107.....	48	65-161.....	83	65-257.....	86	65-406.....	97
65-1108.....	48	65-162.....	83	65-258.....	86	65-407.....	96
65-1112.....	48	65-163.....	83	65-259.....	86	65-408.....	96
65-1113.....	48	65-164.....	83	65-260.....	86	65-409.....	97
65-1118.....	50, 52	65-165.....	83	65-261.....	86	65-410.....	97
65-1119.....	50, 52	65-166.....	83	65-262.....	86	65-411.....	96
65-1122.....	50	65-171.....	90	65-265.....	76	65-412.....	96
65-1123.....	50	65-172.....	90	65-266.....	76	65-421.....	13
65-1125.....	50	65-173.....	90	65-267.....	76	65-422.....	13
65-1126.....	50	65-181.....	19	65-268.....	76	65-423.....	13
65-1127.....	50	65-182.....	19	65-269.....	76	65-427.....	13
65-113.....	92	65-183.....	19	65-270.....	76	65-428.....	13
65-1132.....	52	65-184.....	19	65-321.....	8	65-429.....	13
65-1133.....	52	65-185.....	19	65-322.....	8	65-430.....	13
65-1135.....	52	65-186.....	19	65-323.....	8	65-431.....	13
65-1136.....	52	65-187.....	19	65-324.....	8	65-432.....	13
65-1137.....	52	65-188.....	19	65-325.....	8	65-445.....	14
65-114.....	92	65-189.....	19	65-326.....	8	65-446.....	14
65-1142.....	52	65-210.....	73	65-333.....	11	65-447.....	14
65-1143.....	52	65-211.....	73	65-334.....	11	65-451.....	14
65-1145.....	52	65-212.....	73	65-335.....	11	65-452.....	14
65-1146.....	52	65-213.....	73	65-336.....	11	65-453.....	14
65-1152.....	52	65-214.....	73	65-337.....	11	65-454.....	14
65-1153.....	52	65-215.....	73	65-338.....	11	65-455.....	14
65-1155.....	52	65-216.....	73	65-339.....	8	65-456.....	14
65-1156.....	52	65-217.....	73	65-340.....	8	65-498.....	16
65-131.....	80	65-218.....	73	65-341.....	8	65-499.....	16
65-132.....	80	65-219.....	73	65-347.....	10	65-500.....	16
65-133.....	80	65-220.....	73	65-348.....	10	65-501.....	16
65-134.....	81	65-221.....	73	65-351.....	10	65-502.....	16
65-135.....	81	65-223.....	91	65-352.....	10	65-503.....	16
65-136.....	81	65-224.....	91	65-355.....	10	65-504.....	16
65-138.....	87	65-225.....	91	65-356.....	10	65-505.....	16
65-139.....	87	65-226.....	91	65-361.....	12	65-506.....	16
65-140.....	87	65-231.....	84	65-362.....	12	65-507.....	16
65-141.....	87	65-232.....	84	65-363.....	12	65-508.....	16
65-142.....	87	65-233.....	84	65-364.....	12	65-531.....	74

<b>Item Number</b>	<b>Page #</b>	<b>Item Number</b>	<b>Page #</b>	<b>Item Number</b>	<b>Page #</b>	<b>Item Number</b>	<b>Page #</b>
65-532	74	S9509	99, 101	S9794	124	S11703	118
65-533	74	S9510	99, 101	S9795	124	S11704	119
65-534	74	S9511	99, 101	S9796	124	S11705	119
65-535	74	S9512	100	S9797	124	S11706	119
65-536	74	S9513	100	S9880	38	S11707	119
65-537	74	S9514	100	S9881	38	S11708	116
65-538	74	S9515	100	S9882	39, 40	S11709	116
65-539	74	S9516	102, 103	S9883	39, 40	S11710	116
76-640	75	S9517	102, 103	S9884	39, 40	S11711	116
76-641	75	S9518	02, 103	S9885	39, 40	S11712	117
76-665	75	S9519	102, 103	S9886	39, 40	S11713	117
76-666	75	S9520	102, 103	S9887	39, 40	S11714	117
80-936	125	S9521	102, 103	S9888	39, 40	S11715	117
80-937	125	S9522	102, 103	S9889	39, 40	S11716	113
80-938	125	S9523	102, 103	S11600	121	S11717	113
80-939	125	S9524	99	S11601	121	S11718	113
80-942	121, 123	S9525	100	S11602	121	S11719	113
80-943	121, 123	S9526	102, 103	S11603	121	S21500	31
80-944	121, 123	S9527	102, 103	S11604	121	S21501	31
80-945	121, 123	S9528	102, 103	S11605	121	S21502	31
80-946	121, 123	S9529	102, 103	S11606	121	S21503	32
80-947	121, 123	S9530	102, 103	S11607	121	S21504	32
80-948	121, 123	S9531	102, 103	S11608	121	S21505	32
80-949	121, 123	S9532	102, 103	S11609	121	S21506	32
86-100	137	S9533	102, 103	S11610	121	S21507	33
86-101	138	S9534	102, 103	S11611	121	S21508	33
86-102	139	S9535	102, 103	S11612	121	S21509	34
86-103	140	S9536	102, 103	S11613	121	S21510	34
86-104	141	S9537	102, 103	S11614	121	S21511	34
86-202	16	S9538	126	S11615	121	S21512	35
86-203	87	S9539	126	S11616	121	S21513	35
86-204	87	S9540	126	S11617	121	S21514	35
86-205	84, 85, 86	S9541	126	S11618	123	S21515	36
86-206	84, 85, 86	S9554	102, 103	S11619	123	S21516	36
S8672	44	S9555	102, 103	S11620	123	S21517	36
S8673	44	S9556	102, 103	S11621	123	S21518	31
S8674	44	S9557	102, 103	S11622	123	S21519	32
S8675	44	S9559	104	S11623	123	S21520	33
S8705	125	S9598	109	S11624	123	S21521	34
S8706	125	S9599	109	S11625	123	S21522	35
S8707	125	S9646	102, 103	S11626	123	S21525	31
S8708	125	S9647	102, 103	S11627	123	S21526	31
S9368	41	S9648	102, 103	S11628	123	S21527	33
S9369	41	S9649	102, 103	S11629	123	S21528	33
S9500	99	S9693	102, 103	S11630	123	S21529	35
S9501	99	S9694	102, 103	S11631	123	S21530	35
S9502	99	S9695	102, 103	S11632	123	S21533	42
S9503	99	S9696	102, 103	S11633	123	S21534	42
S9504	100	S9785	101	S11634	123	S21535	42
S9505	100	S9786	101	S11635	123	S21536	42
S9506	100	S9787	101	S11700	118	S21537	32
S9507	100	S9788	101	S11701	118	S21538	34
S9508	99, 101	S9789	101	S11702	118	S21539	36

Item Number	Page #	Item Number	Page #	Item Number	Page #	Item Number	Page #
S21541	37	S29360	33	TH403	128	TK424	130
S29011	114	S29361	34	TH404	128	TK427	130
S29012	114	S29362	35	TH405	128	TP144	131
S29013	114	S29363	36	TH407	128	TP145	131
S29021	114	S29367	33	TH411	128	TP146	131
S29026	115	S29379	35	TH412	128	TP147	131
S29027	115	S29650	37	TH413	128	TP148	131
S29028	115	S29651	37	TH414	128	TP149	131
S29029	115	S29652	37	TH415	128	TP150	131
S29055	112	S29653	42	TH417	128	TP151	131
S29056	112	S29654	42	TH421	128	TP152	131
S29057	112	S29655	33	TH422	128	TP153	131
S29058	112	S29656	43	TH423	128	TP154	131
S29059	112	S29657	43	TH424	128	TP155	131
S29061	112	S29658	43	TH425	128	TP167	131
S29062	112	S29659	43	TH427	128	TP168	131
S29063	112	S29690	35	TH431	128	TP169	131
S29312	108	S29691	37	TH432	128	TP170	131
S29313	108	S39463	106	TH433	128	TP171	131
S29314	108	S39464	106	TH434	128	TP172	131
S29315	108	S39465	106	TH435	128	TP202	131
S29320	31	S39466	106	TH437	128	TP203	131
S29321	31	S39467	106	TH441	129	TP204	131
S29322	31	S39468	106	TH442	129	TP206	131
S29323	31	S39472	107	TH443	129	TP207	131
S29324	32	S39473	107	TH444	129	TP208	131
S29325	32	S39474	107	TH445	129	TP209	131
S29326	32	S39713	106	TH447	129	TP211	131
S29327	32	S39714	106	TH451	129	TR118	131
S29328	33	S39715	106	TH452	129	TR119	131
S29329	33	S39716	106	TH453	129	TR120	131
S29330	33	S39724	107	TH454	129	TR121	131
S29331	33	S39725	107	TH455	129	TR122	131
S29332	34	S39726	107	TH457	129	TR123	131
S29333	34	S39727	107	TH461	129	TR124	131
S29334	34	S39740	107	TH462	129	TR126	131
S29335	34	S39741	107	TH463	129	TR127	131
S29336	35	S39742	107	TH464	129	TR128	131
S29337	35	S39743	107	TH465	129	TR129	131
S29338	35	S39744	106	TH467	129	TR131	131
S29339	35	S39745	107	TH471	129		
S29340	36	S39756	110	TH472	129		
S29341	36	S39757	110	TH473	129		
S29342	36	S39758	110	TH474	129		
S29343	36	S39759	110	TH475	129		
S29344	42	S39770	111	TH477	129		
S29345	42	S39771	111	TK403	130		
S29346	42	S39772	111	TK404	130		
S29347	42	S39773	111	TK407	130		
S29349	33	S39847	106	TK413	130		
S29357	33	S39848	107	TK414	130		
S29358	35	TH401	128	TK417	130		
S29359	31	TH402	128	TK423	130		







**We do  
the light thing.  
We do the right thing.™**

Distribution Centers

Florida  
900 N.W. 159th Dr.  
Miami, FL 33169  
Tel 305-624-2044  
Fax 305-623-0286

California  
31288 San Benito St.  
Hayward, CA 94544  
Tel 510-487-4822  
Fax 425-487-8955

Washington  
4710 116th St. S.W.  
Mukilteo, WA 98275  
Tel 425-789-3300  
Fax 425-789-3310

Texas  
2000 Valwood Pkwy.  
Farmers Branch, TX 75234  
Tel 972-247-2437  
Fax 972-247-5408

Puerto Rico  
Campeche St. 23  
Julio N. Matos Industrial Park  
Carolina, PR 00984  
Tel 787-757-3510  
Fax 787-757-3540

CORPORATE OFFICES  
AND DISTRIBUTION CENTER

New York  
110 Heartland Blvd.  
Brentwood, NY 11717  
Tel 631-243-2202  
Fax 631-243-2027

National Toll Free: 800-43-SATCO



800-437-2826 • satco.com

FUNCTIONAL  
LIGHTING



Exterior  
Wall Pack  
Emergency / Security  
High Bay  
Recessed / Track  
Surface Mount  
Flat Panel / Troffer  
Niche / Cove  
Outdoor: Step / Landscape

LED LAMPS



General Service  
Decorative  
Commercial HID  
Retrofit Lamps  
Linear T Lamps  
U Bend & Circleline  
R & PAR Lamps  
Halogen / Miniature  
Replacements  
Vintage / Filament Lamps

TRADITIONAL  
LAMPS



Incandescent  
HID  
Halogen  
Fluorescent  
Compact Fluorescent  
Miniatures  
Sealed Beam

COMPONENTS



Ballast  
Canopies, Glass Holders  
Glassware, Shades  
Hardware, Lamp Parts  
Sockets, Lamp Holders  
Switches, Wires, Cords  
and Accessories

DECORATIVE  
FIXTURES



Indoor & Outdoor  
Chandeliers  
Pendants  
Mini Pendants  
Vanities  
Sconces  
Flush mounts  
LED