

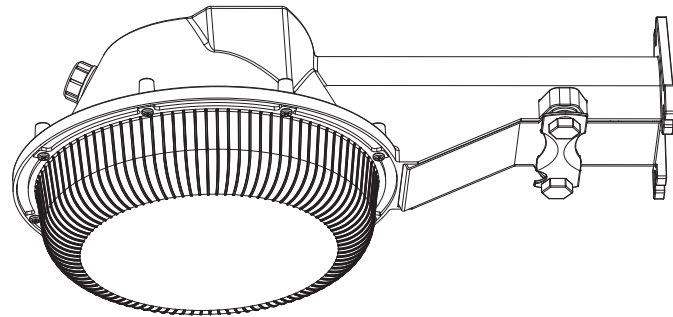
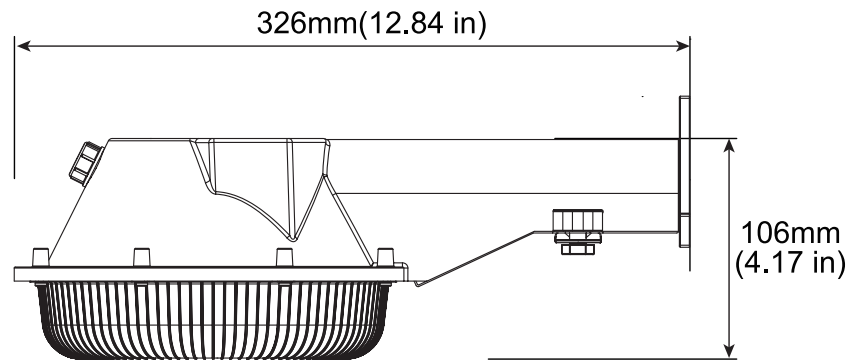
PRODUCT INFORMATION



25W LED area light with built-in photocell

Features

- Black finish
- Rugged polycarbonate construction
- Impact-resistant lens
- Built-in photocell with cover
- Wall-mount—recessed junction box required
- 25 Watts
- 100-277V
- 4000K and 5000K options
- 2KV Surge protection
- Operating temperature -30°C to 50°C
- IP65
- Suitable for wet locations
- 50,000 Hour life
- 5 Year warranty



25W LED Area Light with Built-in Photocell



Item Number	Lamp Description	W	V	CRI	CCT	Lm	Life/Hrs.	UPC	Pack
65-244	25W LED AREA LIGHT W/PHOTOCELL	25	100-277	80	4000K	2250	50K	045923680984	2
65-245	25W LED AREA LIGHT W/PHOTOCELL	25	100-277	80	5000K	2250	50K	045923680991	2