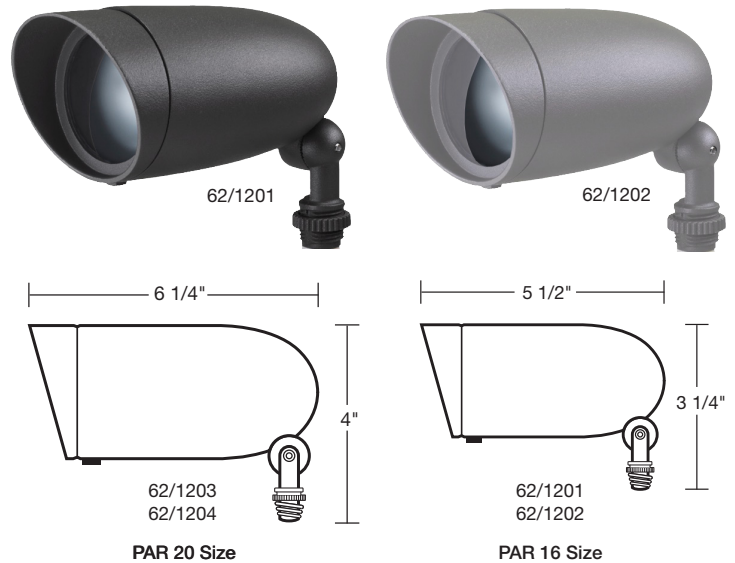


# PRODUCT INFORMATION

## LED Landscape Flood

### Features

- 6W and 9W versions
- DARK GRAY or LIGHT GRAY finish
- Rugged construction
- No transformer required
- Easy installation
- UV stabilized powder coated finish
- 120V
- 3000K
- Suitable for wet locations
- cULus
- 1/2" Threaded knuckle mount
- 50,000 Hour life
- 5 Year warranty



### Accessories



### LED Landscape Flood

Item Number	Lamp Description	W	V	Finish	CCT	Lm	CRI	Life/Hrs.	UPC	Pack
62/1201	6W LED LANDSCAPE FLOOD	6	120	DARK GRAY	3000K	640	80	50K	045923512018	12
62/1202	6W LED LANDSCAPE FLOOD	6	120	LIGHT GRAY	3000K	640	80	50K	045923512025	12
62/1203	9W LED LANDSCAPE FLOOD	9	120	DARK GRAY	3000K	900	80	50K	045923512032	12
62/1204	9W LED LANDSCAPE FLOOD	9	120	LIGHT GRAY	3000K	900	80	50K	045923512049	12
Accessories	Description									
60-673	1 LIGHT DIE CAST MOUNTING PLATE			LIGHT GRAY					045923606731	96
60-674	2 LIGHT DIE CAST MOUNTING PLATE			LIGHT GRAY					045923606748	96
60-675	1 LIGHT DIE CAST MOUNTING PLATE			DARK GRAY					045923606755	96
60-676	2 LIGHT DIE CAST MOUNTING PLATE			DARK GRAY					045923606762	96
60-677	2" DIAMETER PVC MOUNTING POST			DARK GRAY					045923606779	24
60-678	3" DIAMETER PVC MOUNTING POST			DARK GRAY					045923606786	24
60-679	2" DIAMETER PVC MOUNTING POST			LIGHT GRAY					045923606793	24
60-680	3" DIAMETER PVC MOUNTING POST			LIGHT GRAY					045923606809	24